

ELITE LED
SOLUTIONS



Interior **LED**
ISSUE 2017
Lighting

ELITE LED SOLUTIONS

INTRODUCTION

Welcome to issue 02 of our LED Interior Lighting catalogue.

Because LED technology is continuing to advance so rapidly you will find that more than 50% of the products in this catalogue are new. In every category we are offering more choice, greater reliability and higher efficiency. However, there are some particular products that we encourage you to consider.

- **COB LED downlights.** See p 55-56. CBD-NLD-119* series offer a choice of aluminum bezel (L) or PC bezel, a range of colors for bezels to meet different requirements, and small size (S) especially designed for cabinet lighting.
- **COB LED track lights.** Our new LED track light TLED332* P117 CRI 90°, close to the illuminated objects' natural color. Track mounted, surface mounted and recessed version for your option, unique design for various installation.
- **High efficiency LED panels.** For many years we have offered a wide range of LED panels, but we have now added new side-lit and back-lit panels to the range. See pages 137-138. These products both achieve 100 lumens/watt and are warranted for 30,000 hours.

If you are involved in exterior lighting, please ask for a copy of our LED Exterior Lighting catalogue. It too is full of new, innovative and energy efficient new products.

In addition to being the largest lighting manufacturer in China, we are continuing to expand around the world. We have subsidiaries in Europe and South America, branch offices in the Middle East and Australasia and exclusive distributors elsewhere in Asia and Africa. Wherever you are, we are there to provide you with professional lighting solutions.

Finally, what we offer is more than just lighting products. Our offices all provide extensive professional lighting expertise, lighting design services and, of course, after-sales support. We look forward to working with you.



Research and Development



With sustained investment over more than 10 years ELITE has established a product development infrastructure that has come to be a driving force behind the growth of the business. We have R&D centres in Jiangshan (Zhejiang), Shanghai and Huizhou (Guangdong) in China, and in Birmingham, UK., drawing on the expertise of universities in Tsinghua and Fudan, plus the Northwestern Polytechnical University and other colleges and institutions with particular skills in our field.



LED Lamps



LED Strips



LED Spotlights



LED Downlights



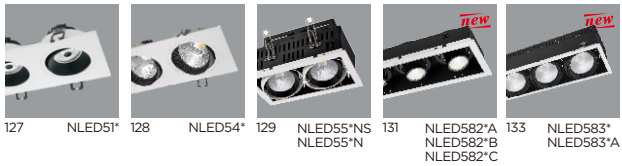
LED Downlights



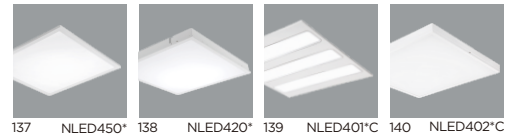
LED Track Lights



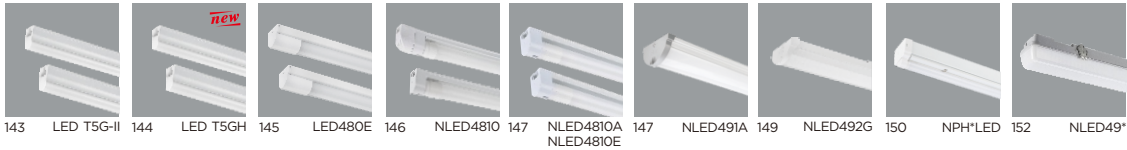
LED Multiple Downlights



LED Panels



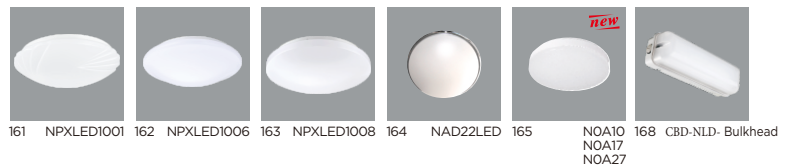
LED Linear Lighting



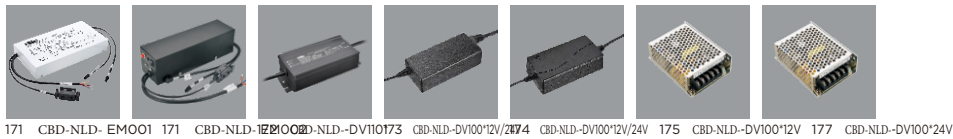
LED Industrial Lighting



LED Ceiling Lights



LED Drivers





Lighting
WARRANTED 5 YEAR

ELITE LED SOLUTIONS

LED Lamps



T8



CL CLL



MR16



QR111



GU10



PAR20/30/38



R63A/R80A

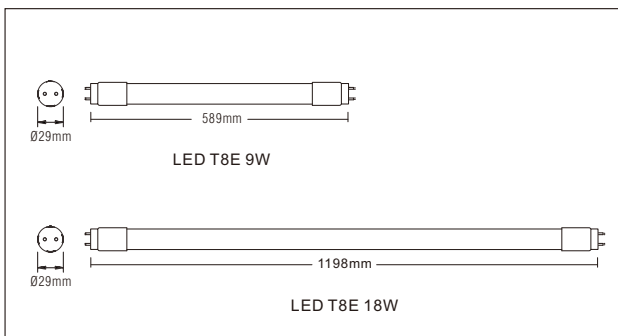
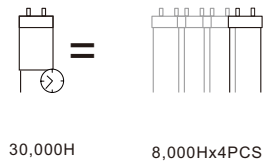
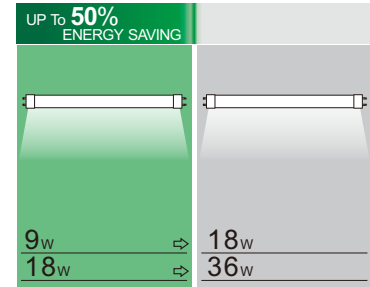


G9



A60/65

LED T8E



Model	Color temp.	Lumens	CRI	PF
LED T8E 9W	2700K/3000K/4000K/6500K	940lm	70	0.9
LED T8E 18W	2700K/3000K/4000K/6500K	1840lm	70	0.9

QTY/CTN: 30PCS CTN Dimension: 662x270x205mm (LED T8E 9W)
 QTY/CTN: 30PCS CTN Dimension: 1270x270x205mm (LED T8E 18W)

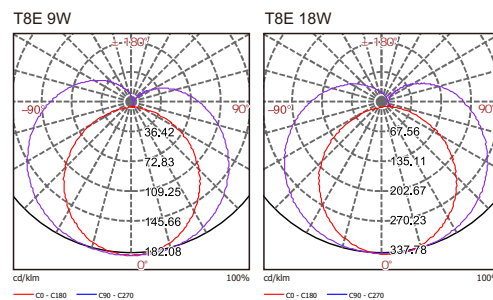
Specification

- SMD 2835
- Glass tube
- Built-in constant current LED driver
- Any two pins input, and the other two pins are isolated for easy & safe replacement of traditional fluorescent tubes

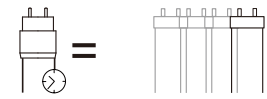
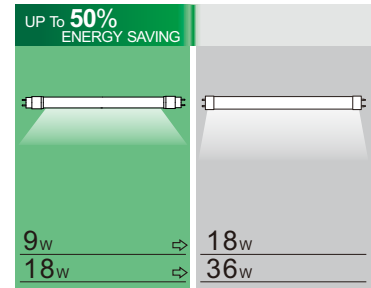
Applications

- Offices, supermarkets, shops and residential premises

Photometric Data

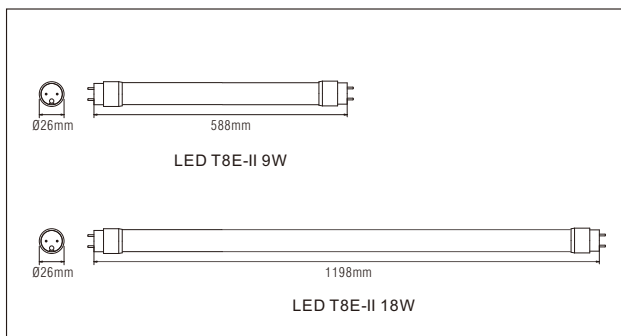


LED T8E-II



25,000H

8,000Hx4PCS



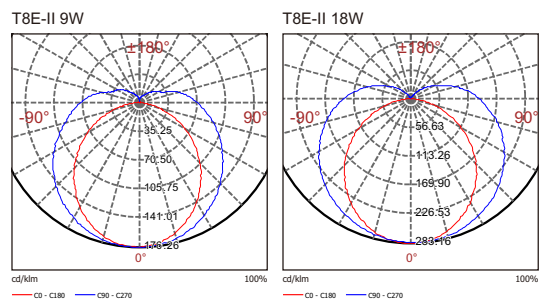
Specification

- SMD 2835
- Glass tube
- Build-in constant current LED driver
- Double-ended input

Applications

- Offices, schools, supermarkets
- Hospitals, railway stations

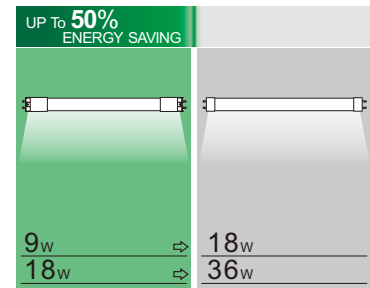
Photometric Data



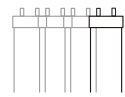
Model	Color temp.	Lumens	CRI	PF
LED T8E-II 9W	3000K/4000K/6500K	850lm	70	0.5
LED T8E-II 18W	3000K/4000K/6500K	1700lm	70	0.5

QTY/CTN: 25PCS CTN Dimension: 648x150x160mm (LED T8E-II 9W)
 QTY/CTN: 25PCS CTN Dimension: 1260x150x160mm (LED T8E-II 18W)

LED T8G-II



30,000H



8,000Hx4PCS



6500K



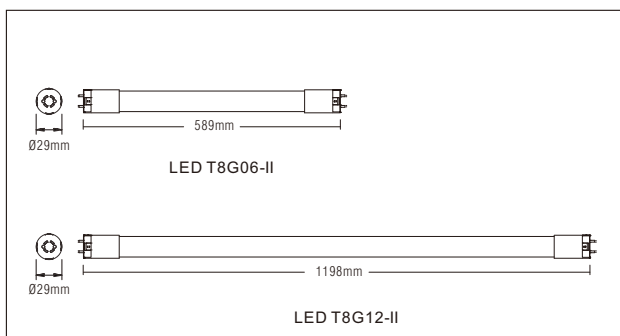
4000K



3000K



2700K



Model	Color temp.	Lumens	CRI	PF
LED T8G06-II 9W	2700K/3000K/4000K/6500K	1000lm	80	0.95
LED T8G12-II 18W	2700K/3000K/4000K/6500K	2000lm	80	0.95

QTY/CTN: 30PCS CTN Dimension: 662x242x190mm (LED T8G-II 9W)
 QTY/CTN: 30PCS CTN Dimension: 1270x242x190mm (LED T8G-II 18W)

Specification

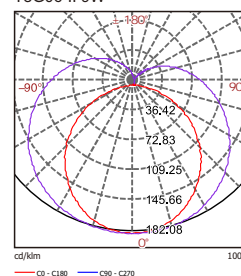
- SMD 2835
- PC tube
- Built-in constant current LED driver
- Rotatable end cap, easy to install
- Color coded lamp base for easy identification of color temperature
- Any two pins input, and the other two pins are isolated

Applications

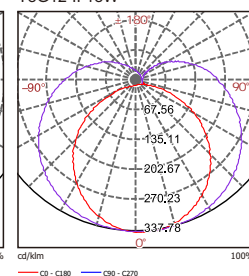
- Offices, shops, residential premises

Photometric Data

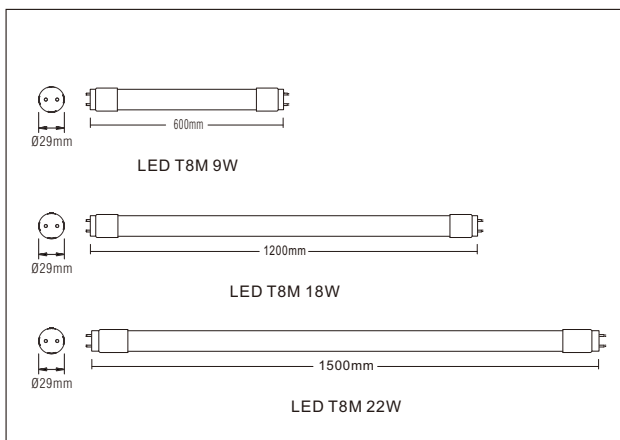
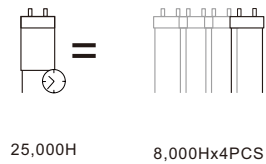
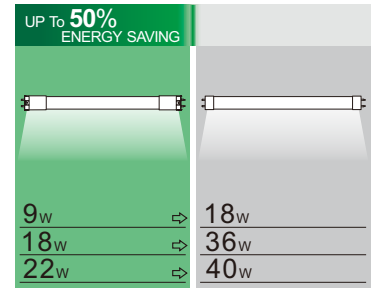
T8G06-II 9W



T8G12-II 18W



LED T8M



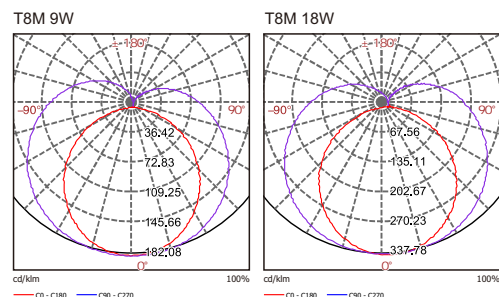
Specification

- SMD 2835
- PC tube
- Built-in constant current LED driver
- Single ended input, and the other two pins are isolated for easy & safe replacement of traditional fluorescent tubes
- Designed for high-temperature use (IP65 batten)

Applications

- Offices, supermarkets, shops, residential premises

Photometric Data



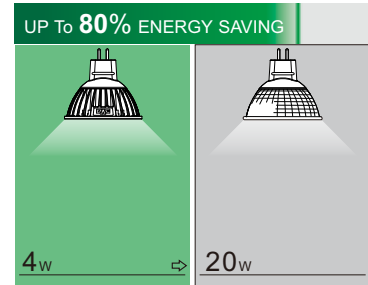
Model	Color temp.	Lumens	CRI	PF
LED T8M 9W	3000K/4000K/6500K	1000lm	80	0.95
LED T8M 18W	3000K/4000K/6500K	2000lm	80	0.95
LED T8M 22W	3000K/4000K/6500K	2500lm	80	0.95

QTY/CTN: 25PCS CTN Dimension: 670x185x195mm (LED T8M 9W)
 QTY/CTN: 25PCS CTN Dimension: 1280x185x195mm (LED T8M 18W)
 QTY/CTN: 25PCS CTN Dimension: 1580x185x195mm (LED T8M 22W)

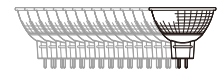
LED MR16B



ET60E



30,000H



2,000Hx15PCS

Specification

- COB LED
- Die-cast aluminum housing
- Anodized surface treatment
- Dimmable version complete with dimmable driver

Options

- Dimmable driver

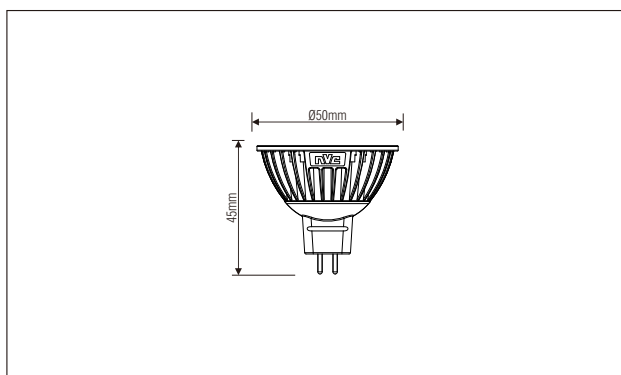
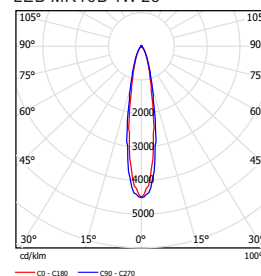


Applications

- Hotels, shops, restaurants, bars, cafes etc

Photometric Data

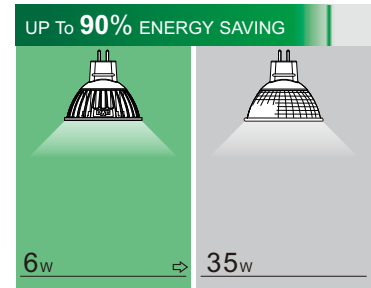
LED MR16B 4W 25°



Model	Color temp.	Lumens	CRI
LED MR16B 4W	3000K/4000K/6000K	220lm	80
LED MR16B-DIM 4W	3000K/4000K/6000K	200lm	80

QTY/CTN: 60PCS CTN Dimension: 272x220x180mm

LED MR16C



Specification

- High power LED
- Die-cast aluminum housing
- Anodized surface treatment
- Dimmable version complete with dimmable driver

Options

- Dimmable driver

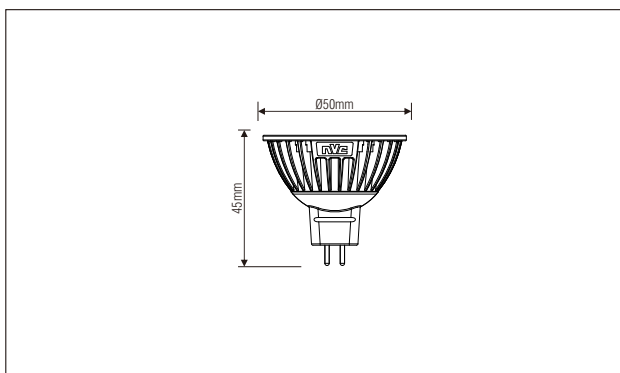
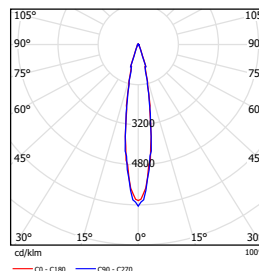


Applications

- Hotels, shops, restaurants, bars, cafes etc

Photometric Data

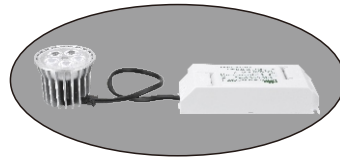
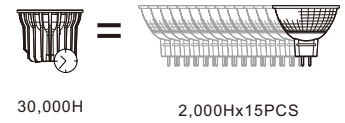
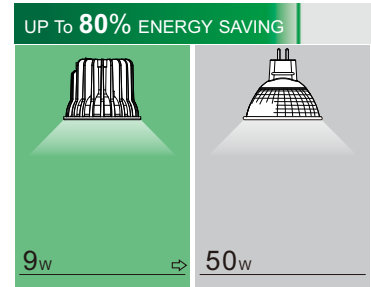
LED MR16C 6W 25°



Model	Color temp.	Lumens	CRI
LED MR16C 6W	3000K/4000K/6000K	330lm	80
LED MR16C-DIM 6W	3000K/4000K/6000K	310lm	80

QTY/CTN: 60PCS CTN Dimension: 272x220x180mm

LED MR16E



Constant current LED driver

Specification

- High power LED
- Anodized die-cast aluminum housing
- Completed with constant current LED driver
- Dimmable version available

Note

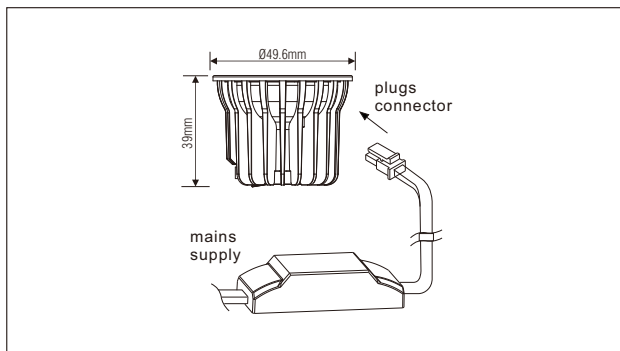
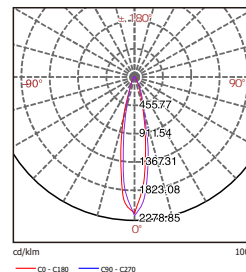
- Supplied complete with separate driver as shown

Applications

- Hotels, shops, restaurants, bars, cafes etc

Photometric Data

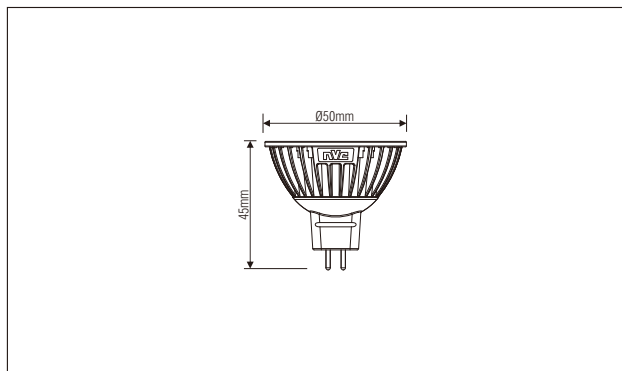
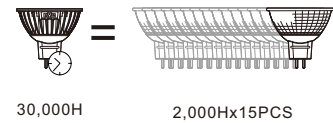
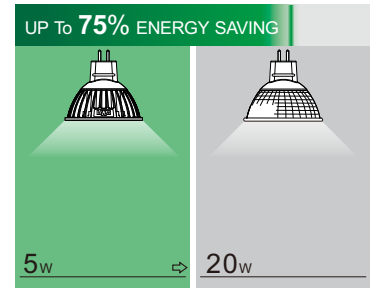
LED MR16E 9W 25°



Model	Color temp.	Lumens	CRI
LED MR16E 9W	3000K/4000K/5700K	500lm	80
LED MR16E-DIM 9W	3000K/4000K/5700K	480lm	80

QTY/CTN: 24PCS CTN Dimension: 268x262x228mm

LED MR16H



Model	Color temp.	Lumens	CRI
LED MR16H 5W	2700K/3000K/4000K/6500K	270lm	80

QTY/CTN: 60PCS CTN Dimension: 272x220x180mm

Specification

- High power LED
- Die-cast aluminum housing
- Anodized surface treatment

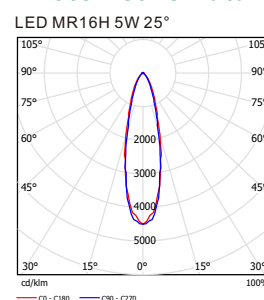
Options

- ELITE electronic transformer, ET60E

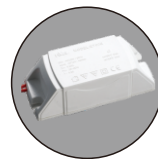
Applications

- Hotels, shops, restaurants, bars, cafes etc

Photometric Data



LED MR16I



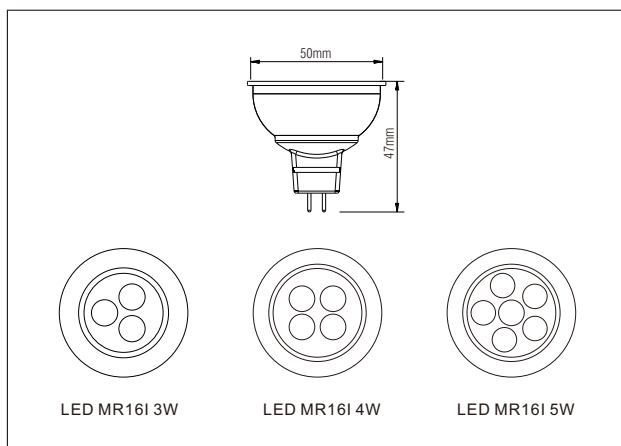
ET60E

UP To 90% ENERGY SAVING

3w	20w
4w	20w
5w	35w

=

30,000H 2,000Hx15PCS



Specification

- High power LED
- Plastic coated and aluminum housing

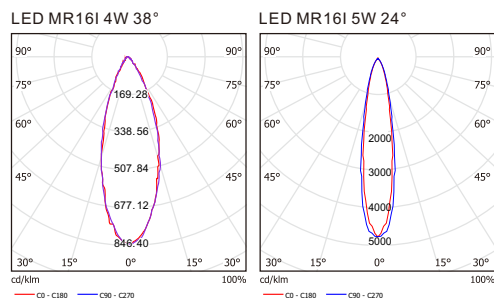
Options

- ELITE electronic transformer, ET60E

Applications

- Hotels, shops, restaurants, bars, cafes etc

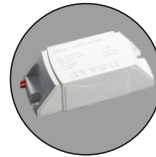
Photometric Data



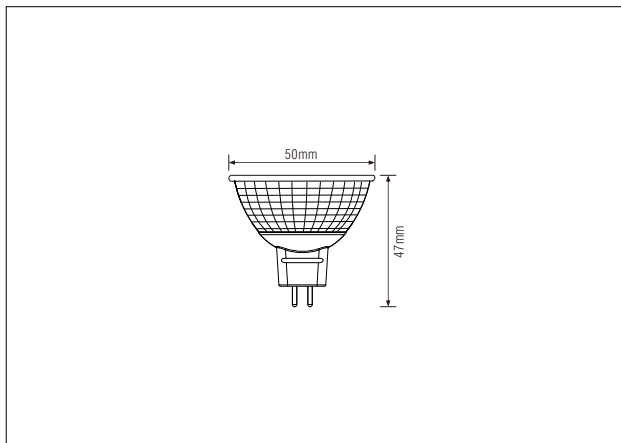
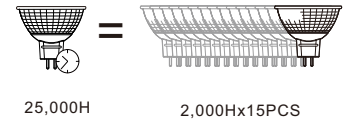
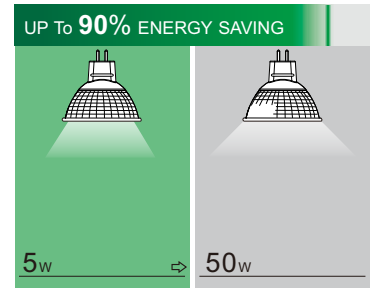
Model	Color temp.	Lumens	CRI
LED MR16I 3W	2700K/3000K/4000K/6500K	290lm	80
LED MR16I 4W	2700K/3000K/4000K/6500K	360lm	80
LED MR16I 5W	2700K/3000K/4000K/6500K	440lm	80

QTY/CTN: 60PCS CTN Dimension: 272x220x180mm

LED MR16K



ET60E



Specification

- COB LED
- Glass body

Options

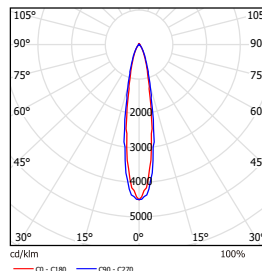
- ELITE electronic transformer, ET60E

Applications

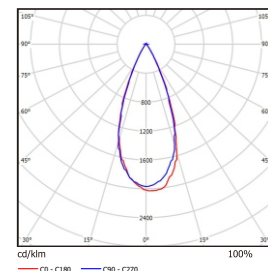
- Hotels, restaurants, bars, cafes
- Lobbies, corridors, stairwells, reception areas etc

Photometric Data

LED MR16K 5W 25°



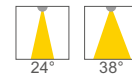
LED MR16K 5W 36°



Model	Color temp.	Lumens	CRI
LED MR16K 5W	2700K/3000K/4000K/6500K	350lm	80

QTY/CTN: 50PCS CTN Dimension: 270x270x130mm

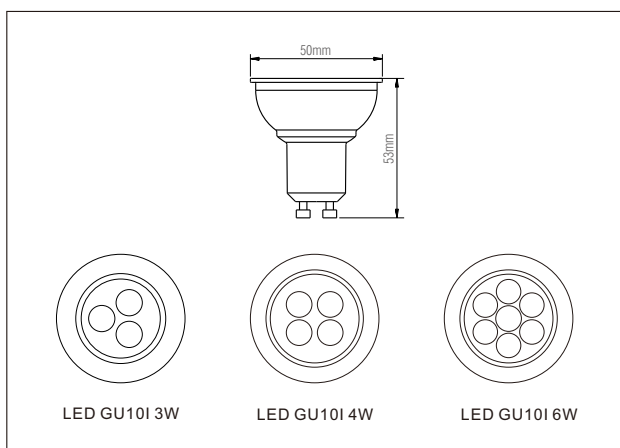
LED GU10I



UP TO 80% ENERGY SAVING

3w	20w
4w	20w
6w	35w

30,000H = 2,000Hx15PCS



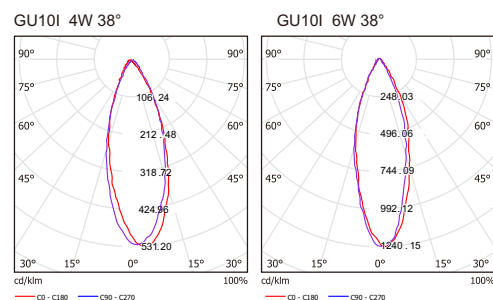
Specification

- High power LED
- Plastic coated and aluminum housing
- Built-in constant current LED driver
- 6W lamp available in dimmable version

Applications

- Hotels, shops, restaurants, bars, cafes etc

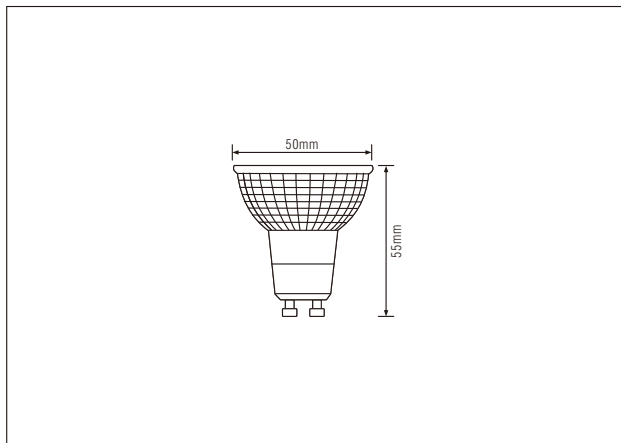
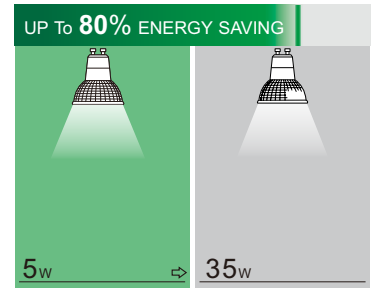
Photometric Data



Model	Color temp.	Dimmable	Lumens	CRI	PF
LED GU10I 3W	2700K/3000K/4000K/6500K	NO	300lm	>80	0.75
LED GU10I 4W	2700K/3000K/4000K/6500K	NO	360lm	>80	0.75
LED GU10I 6W	2700K/3000K/4000K/6500K	NO	580lm	>80	0.75
LED GU10ID 6W	2700K/3000K/4000K/6500K	YES	550lm	>80	0.75

QTY/CTN: 60PCS CTN Dimension: 272x220x180mm

LED GU10K



Specification

- COB LED
- Glass body & ceramic holder
- Built-in constant current LED driver

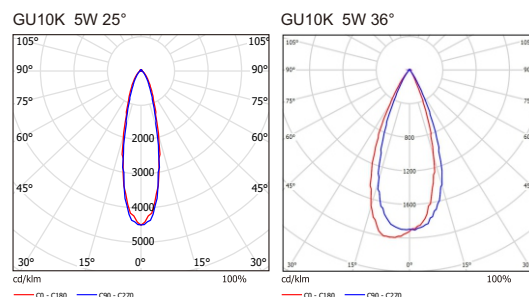
Note

- Input voltage 220V

Applications

- Hotels, restaurants, bars, cafes
- Lobbies, corridors, stairwells, reception areas etc

Photometric Data



Model	Color temp.	Dimmable	Lumens	CRI	PF
LED GU10K 5W	2700K/3000K/4000K/6500K	NO	350lm	80	0.75

QTY/CTN: 50PCS CTN Dimension: 270x270x150mm

LED GU10M



UP TO 80% ENERGY SAVING

6w	⇒	35w
8w	⇒	50w
10w	⇒	50w

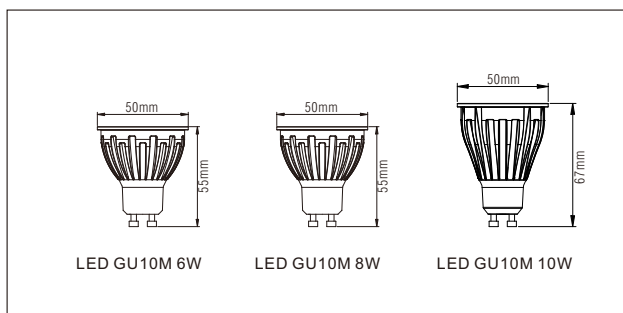
25,000H = 2,000Hx15PCS



LED GU10M 6W

LED GU10M 8W

LED GU10M 10W



LED GU10M 6W

LED GU10M 8W

LED GU10M 10W

Specification

- COB LED
- PC coated aluminum housing
- Built-in constant current LED driver
- Body color: white, silver

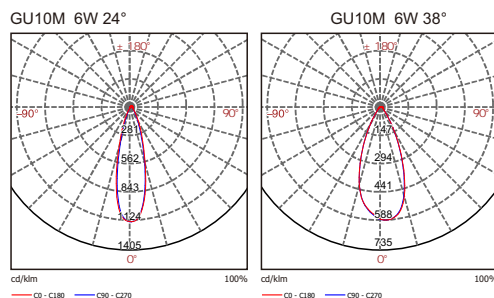
Applications

- Hotels, restaurants, bars, cafes
- Lobbies, corridors, stairwells, reception areas etc

Model	Color temp.	Lumens	CRI	PF
LED GU10M 6W	2700K/3000K/4000K/6000K	400lm	80	0.5
LED GU10M 8W	2700K/3000K/4000K/6000K	550lm	80	0.5
LED GU10M 10W	2700K/3000K/4000K/6000K	750lm	80	0.5
LED GU10M DIM6W	2700K/3000K/4000K/6000K	400lm	80	0.5
LED GU10M DIM8W	2700K/3000K/4000K/6000K	550lm	80	0.5
LED GU10M DIM10W	2700K/3000K/4000K/6000K	750lm	80	0.5

QTY/CTN: 60PCS CTN Dimension: 280x230x220mm(6W)
 QTY/CTN: 60PCS CTN Dimension: 280x230x220mm (8W)
 QTY/CTN: 60PCS CTN Dimension: 280x230x260mm (10W)

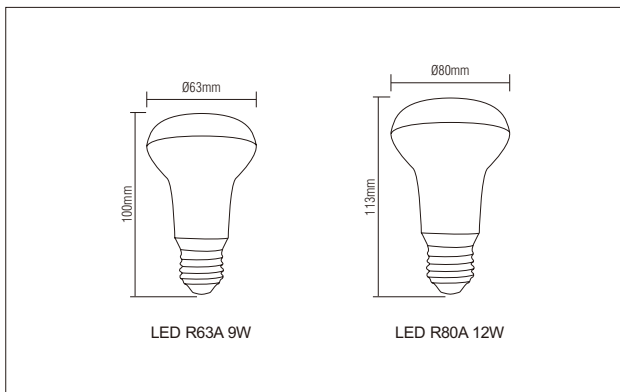
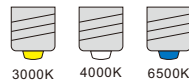
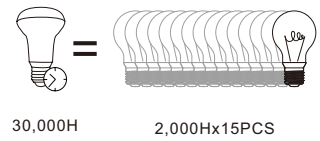
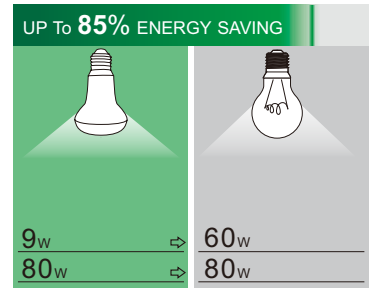
Photometric Data



LED R63A LED R80A



new



Model	Color temp.	Lumens	CRI	PF
LED R63A 9W	3000K/4000K/6500K	750lm	80	0.5
LED R80A 12W	3000K/4000K/6500K	950lm	80	0.5

QTY/CTN: 50PCS CTN Dimension: 345x345x265mm (LED R63A)
 QTY/CTN: 50PCS CTN Dimension: 435x435x290mm (LED R80A)

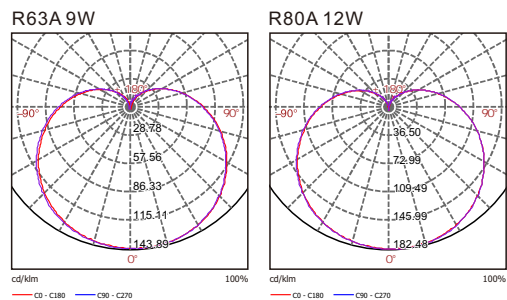
Specification

- SMD LED
- Plastic coated aluminum housing
- 120° beam angle
- Built-in constant current LED driver

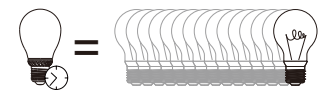
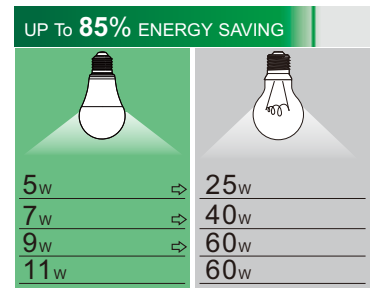
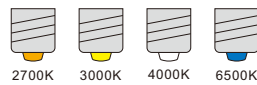
Applications

- Homes, stores, offices etc

Photometric Data

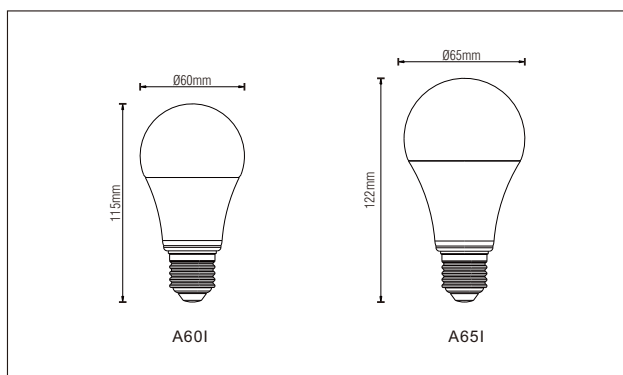


LED A60I LED A65I



30,000H

2,000Hx15PCS



Specification

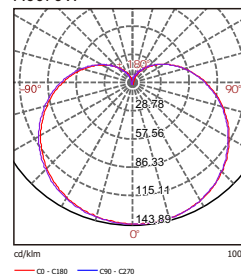
- SMD LED
- Plastic coated aluminum housing
- Built-in constant current LED driver

Applications

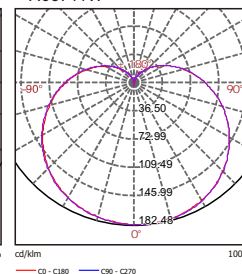
- Homes, stores, offices etc

Photometric Data

A60I 9W



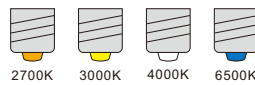
A65I 11W



Model	Color temp.	Lumens	CRI	PF
LED A60I 5W	2700K/3000K/4000K/6000K	460lm	85	0.75
LED A60I 7W	2700K/3000K/4000K/6000K	640lm	85	0.85
LED A60I 9W	2700K/3000K/4000K/6000K	900lm	85	0.85
LED A65I 11W	2700K/3000K/4000K/6000K	1200lm	85	0.85

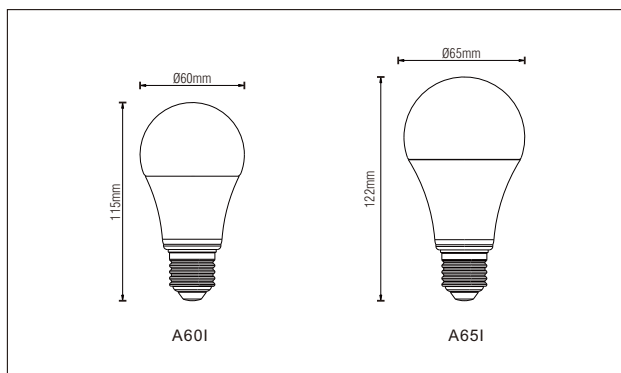
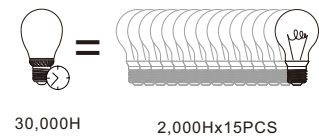
QTY/CTN: 50PCS CTN Dimension: 345x345x280mm(LED A60I)
 QTY/CTN: 50PCS CTN Dimension: 395x395x310mm(LED A65I)

LED A60ID LED A65ID



UP To 85% ENERGY SAVING

5w	25w
7w	40w
9w	60w
11w	60w



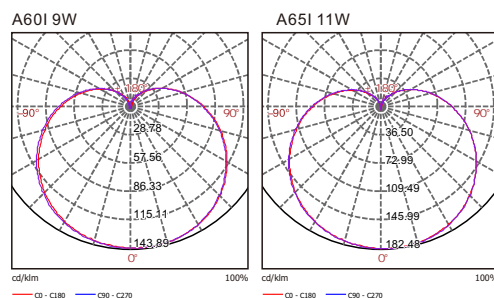
Specification

- SMD LED
- Plastic coated aluminum housing
- 180° beam angle
- Built-in constant current LED driver

Applications

- Homes, stores, offices etc

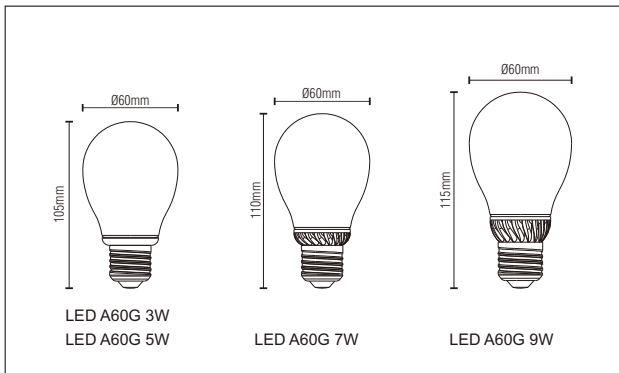
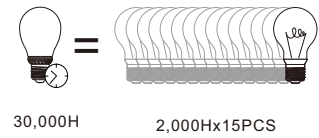
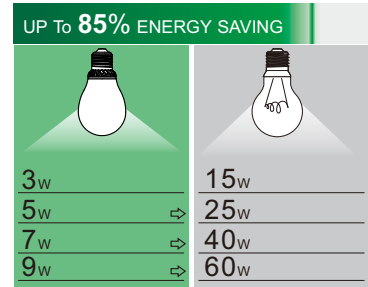
Photometric Data



Model	Color temp.	Lumens	CRI	PF
LED A60ID 7W	2700K/3000K/4000K/6500K	600lm	80	0.9
LED A60ID 9W	2700K/3000K/4000K/6000K	800lm	80	0.9
LED A65ID 11W	2700K/3000K/4000K/6000K	1050lm	80	0.9

QTY/CTN: 50PCS CTN Dimension: 345x345x280mm(LED A60ID)
QTY/CTN: 50PCS CTN Dimension: 370x370x300mm(LED A65ID)

LED A60G



Model	Color temp.	Lumens	CRI	PF
LED A60G 3W	3000K/4000K/6000K	250lm	80	0.75
LED A60G 5W	3000K/4000K/6000K	400lm	80	0.75
LED A60G 7W	3000K/4000K/6000K	600lm	80	0.85
LED A60G 9W	3000K/4000K/6000K	750lm	80	0.85

QTY/CTN: 100PCS CTN Dimension: 675x345x265mm

Specification

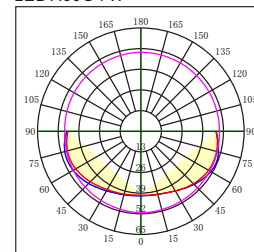
- SMD LED
- Ceramic & glass housing
- Built-in constant current LED driver

Applications

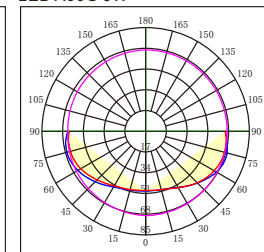
- Home, store, office etc

Photometric Data

LED A60G 7W



LED A60G 9W



— C0-C180 — C90-C270 — 667

— C0-C180 — C90-C270 — G74

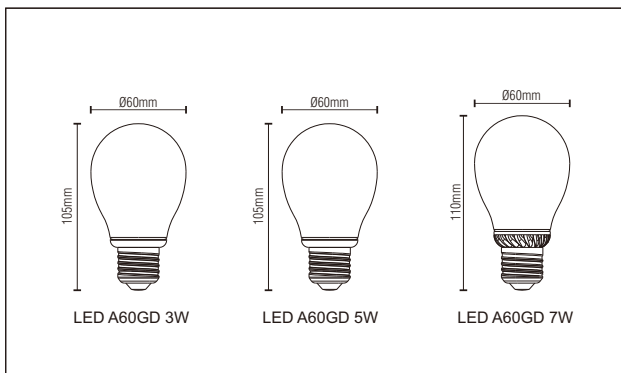
LED A60GD



UP To 85% ENERGY SAVING

3w	⇨	15w
5w	⇨	25w
7w	⇨	40w

30,000H = 2,000Hx15PCS



Model	Color temp.	Lumens	CRI	PF
LED A60GD 3W	3000K/4000K/6000K	250lm	80	0.75
LED A60GD 5W	3000K/4000K/6000K	400lm	80	0.75
LED A60GD 7W	3000K/4000K/6000K	600lm	80	0.85

QTY/CTN: 100PCS CTN Dimension: 675x345x265mm

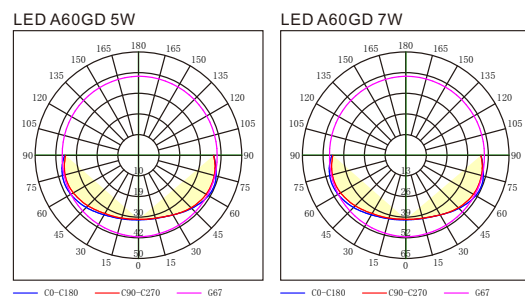
Specification

- SMD LED
- Ceramic & glass housing
- Built-in constant current LED driver

Applications

- Home, store, office etc

Photometric Data



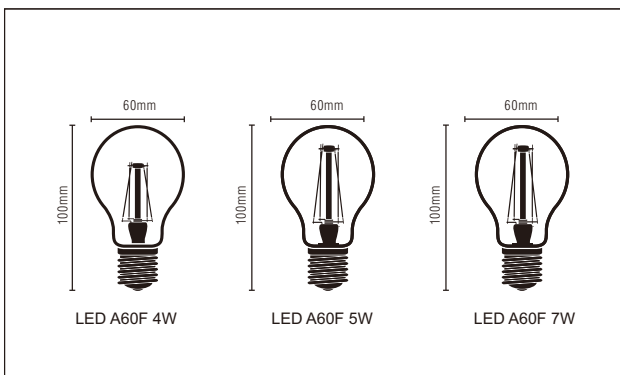
LED A60F



UP To 85% ENERGY SAVING

4w	↔	40w
5w	↔	50w
7w	↔	65w

25,000H 2,000Hx15PCS



Model	Color temp.	Lumens	CRI	PF
LED A60F 4W	2700K	430lm	80	0.5
LED A60F 5W	2700K	620lm	80	0.5
LED A60F 7W	2700K	800lm	80	0.5

QTY/CTN: 50PCS CTN Dimension: 345x345x270mm

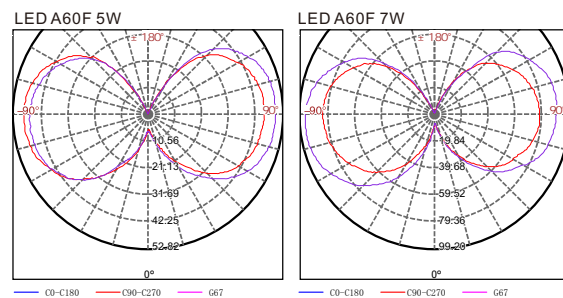
Specification

- LED filament
- Glass cover
- Built-in constant current LED driver
- 360° light distribution

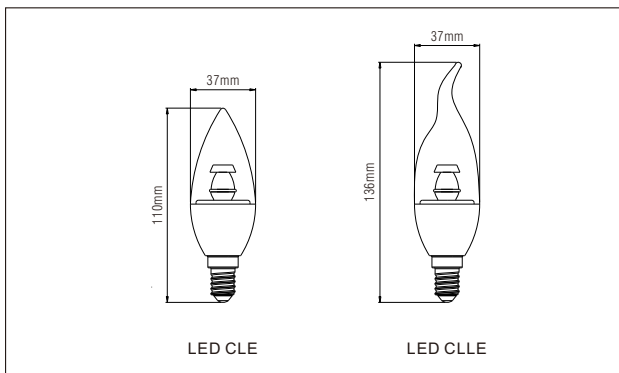
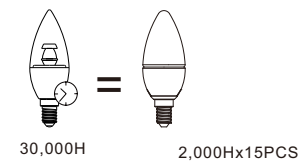
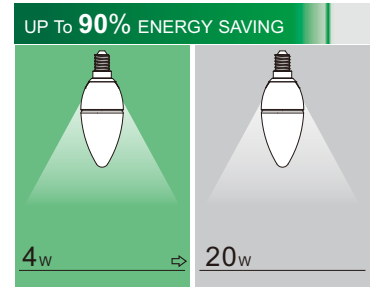
Applications

- Homes, hotels, restaurants, bars, cafes etc

Photometric Data



LED CLE LED CLLE



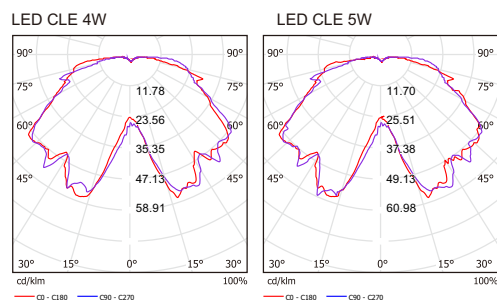
Specification

- SMD LED
- Plastic coated and aluminum housing
- Built-in constant current LED driver

Applications

- Hotels, shops, restaurants, bars, cafes etc

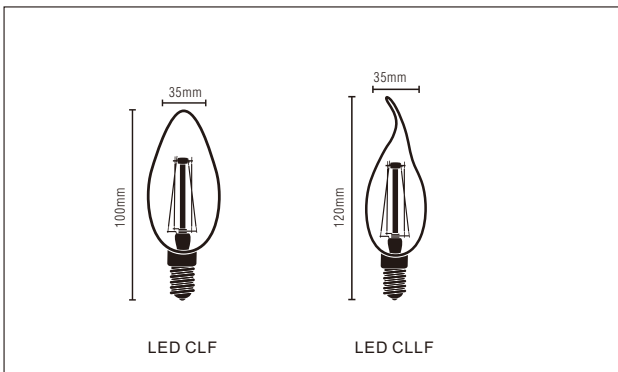
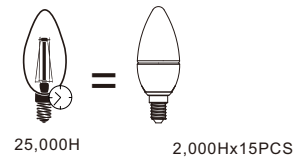
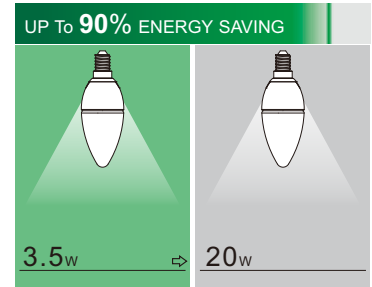
Photometric Data



Model	Input	Color temp.	Dimmable	Lumens	CRI	PF
LED CLE 3W	110-240V	2700K/3000K 4000K/6500K	NO	240lm	80	0.7
LED CLE 4W	110-240V	2700K/3000K 4000K/6500K	NO	310lm	80	0.7
LED CLE 5W	110-240V	2700K/3000K 4000K/6500K	NO	370lm	80	0.7
LED CLED 5W	220-240V	2700K/3000K 4000K/6500K	YES	370lm	80	0.7
LED CLLE 3W	110-240V	2700K/3000K 4000K/6500K	NO	240lm	80	0.7
LED CLLE 4W	110-240V	2700K/3000K 4000K/6500K	NO	310lm	80	0.7
LED CLLE 5W	110-240V	2700K/3000K 4000K/6500K	NO	370lm	80	0.7
LED CLLED 5W	220-240V	2700K/3000K 4000K/6500K	YES	370lm	80	0.7

QTY/CTN: 50PCS CTN Dimension: 255x255x265mm(LED CLE)
 QTY/CTN: 50PCS CTN Dimension: 255x255x345mm(LED CLLE)

LED CLF LED CLLF



Specification

- LED filament
- Glass cover, beam angle 360°
- Built-in constant current LED driver

Note

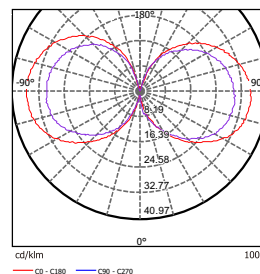
- Input voltage 220V

Applications

- Homes, hotels, restaurants, bars, cafes etc

Photometric Data

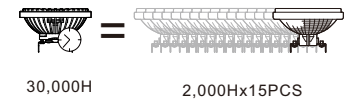
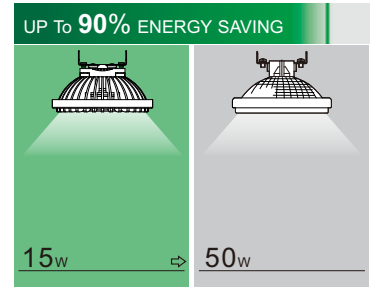
LED CLF/CLLF 3.5W



Model	Color temp.	Dimmable	Lumens	CRI	PF
LED CLF 3.5W	2700K	NO	340lm	80	0.5
LED CLLF 3.5W	2700K	NO	340lm	80	0.5

QTY/CTN: 50PCS CTN Dimension: 245x245x235mm(LED CLF)
 QTY/CTN: 50PCS CTN Dimension: 245x245x275mm(LED CLLF)

LED QR111C



ET60E

Specification

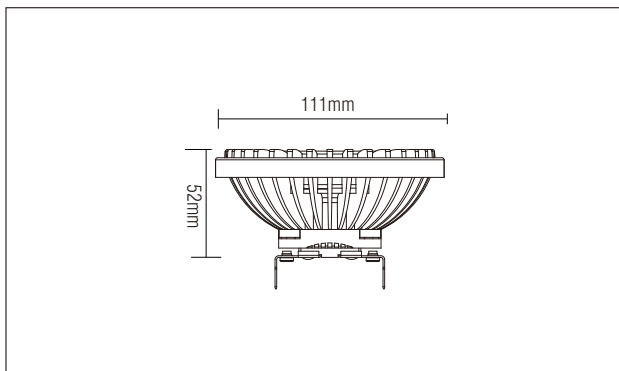
- High Power LED
- Die-cast aluminum housing
- Anodized surface treatment
- PC lens

Options

- ELITE electronic transformer, ET60E

Applications

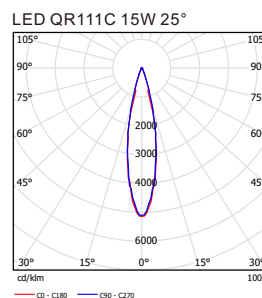
- Hotels, shops, restaurants, bars, cafes etc



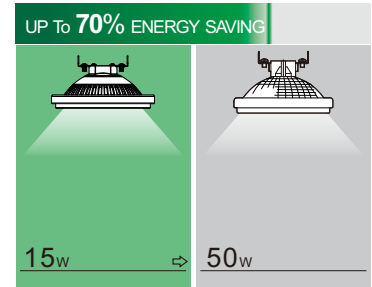
Model	Color temp.	Lumens	CRI
LED QR111C 15W	3000K/4000K/6500K	900lm	70

QTY/CTN: 24PCS CTN Dimension: 364x248x336mm

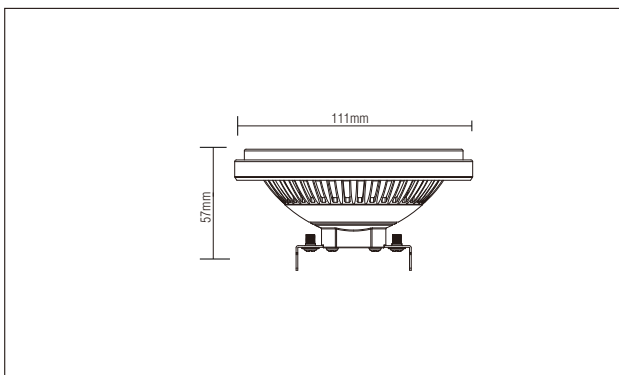
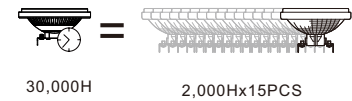
Photometric Data



LED QR111D



ET60E



Specification

- High Power LED
- Die-cast aluminum housing
- Anodized surface treatment
- PC lens
- Dimmable version available
- Dimmable version completed with dimmable driver

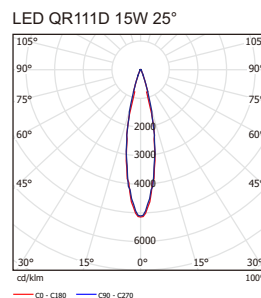
Options

- ELITE electronic transformer, ET60E

Applications

- Hotels, shops, restaurants, bars, cafes etc

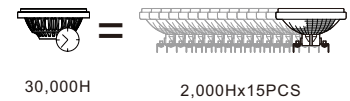
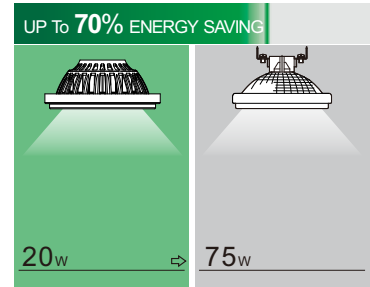
Photometric Data



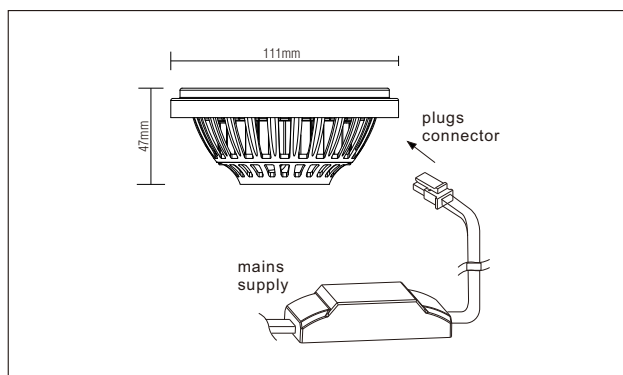
Model	Color temp.	Lumens	CRI
LED QR111D 15W	3000K/4000K/6000K	950lm	80
LED QR111D-DIM 12W	3000K/4000K/6000K	850lm	80

QTY/CTN: 48PCS CTN Dimension: 482x364x288mm

LED QR111E



Constant current LED driver



Model	Color temp.	Lumens	CRI
LED QR111E 20W	3000K/4000K/5700K	1300lm	80
LED QR111E-DIM 20W	3000K/4000K/5700K	1300lm	80

QTY/CTN: 16PCS CTN Dimension: 314x298x248mm

Specification

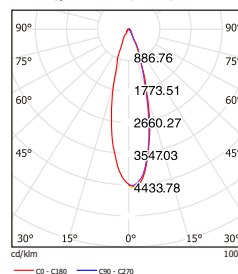
- High Power LED
- Die-cast aluminum heat sink
- Anodized surface treatment
- PC lens
- Completed with constant current LED driver
- Dimmable version available

Applications

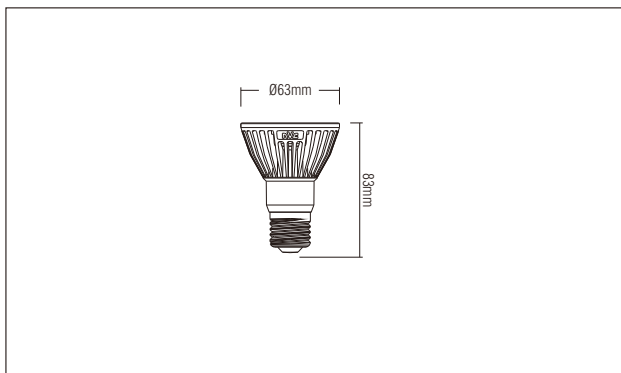
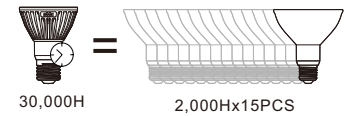
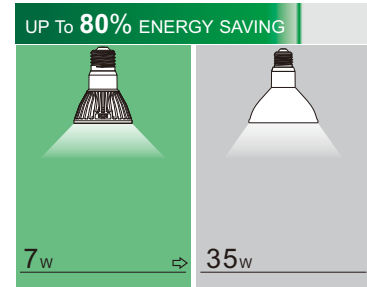
- Hotels, shops, restaurants, bars, cafes etc

Photometric Data

LED QR111E 20W 25°



LED PAR20A



Model	Color temp.	Lumens	CRI	PF
LED PAR20A 7W	3000K/4000K/6500K	390lm	80	0.9

QTY/CTN: 36PCS CTN Dimension: 295x225x310mm

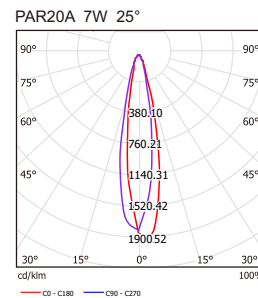
Specification

- High power LED
- Anodized die-cast aluminum housing
- PC lens
- Built-in constant current LED driver

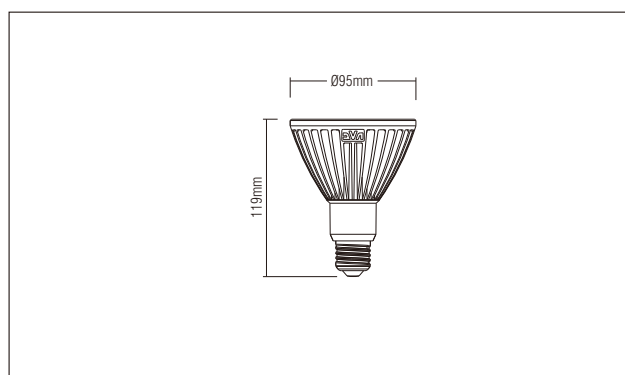
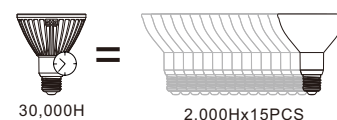
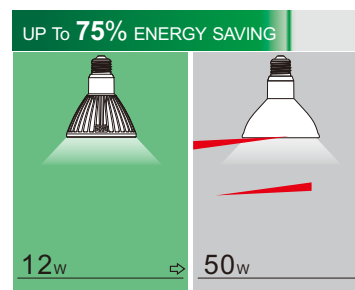
Applications

- Hotels, shops, restaurants, bars, cafes etc

Photometric Data



LED PAR30A



Specification

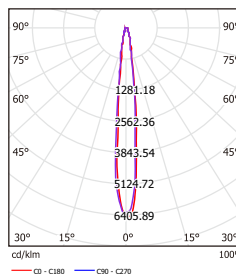
- High power LED
- Anodized die-casting aluminum housing
- PC lens
- Built-in constant current LED driver

Applications

- Hotels, shops, restaurants, bars, cafes etc

Photometric Data

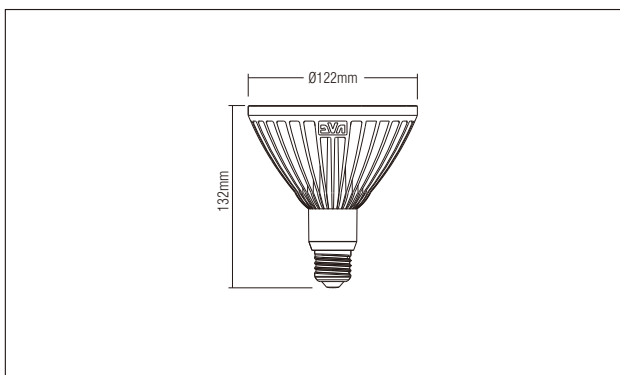
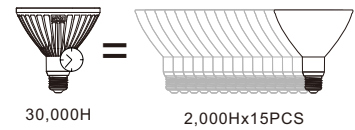
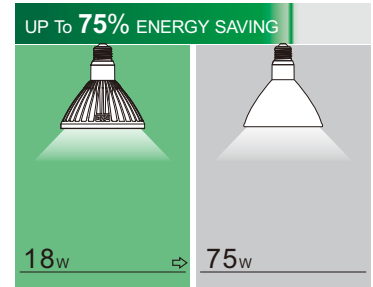
PAR30A 12W 25°



Model	Color temp.	Lumens	CRI	PF
LED PAR30A 12W	3000K/4000K/6500K	680lm	80	0.9

QTY/CTN: 12PCS CTN Dimension: 346x235x286mm

LED PAR38A



Model	Color temp.	Lumens	CRI	PF
LED PAR38A 18W	3000K/4000K/6500K	990lm	80	0.9

QTY/CTN: 12PCS CTN Dimension: 400x272x308mm

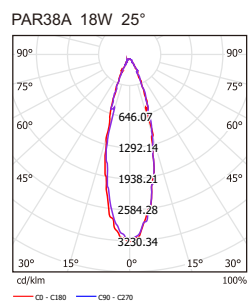
Specification

- High power LED
- Anodized die-cast aluminum housing
- PC lens
- Built-in constant current LED driver

Applications

- Hotels, shops, restaurants, bars, cafes etc

Photometric Data



LED G9A



Specification

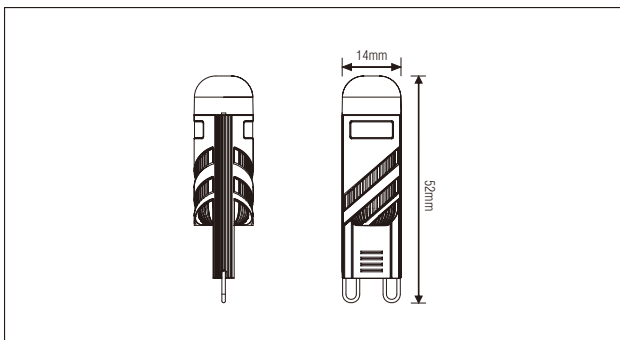
- Custom designed LED chip
- Weight only 11.5g
- Ceramics & PC envelope
- Dimmable versions available

Notes

- Minimum dimming wattage: 20W
- Minimum dimming QTY: 10pcs

Applications

- Restaurants, hotels, retail stores, coffee shops, museums, galleries, homes etc

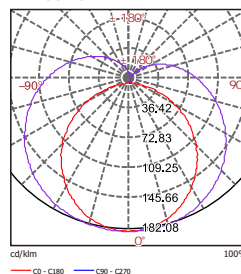


Model	Color temp.	Dimmable	Lumens	CRI	PF
LED G9A 2W	2700K	NO	200lm	80	0.50
LED G9A 2.5W	2700K	NO	250lm	80	0.50
LED G9A 2.5W	2700K	YES	220lm	80	0.90

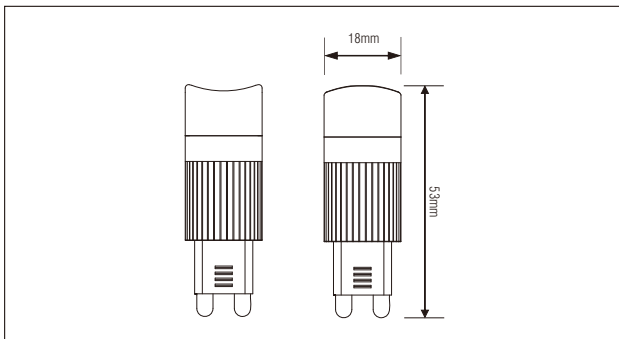
QTY/CTN: 400PCS CTN Dimension: 240x240x320mm

Photometric Data

LEDG9A 9W



LED G9B



Model	Color temp.	Dimmable	Lumens	CRI	PF
LED G9B 2W	3000K/6000K	NO	160lm	80	0.50

QTY/CTN: 400PCS CTN Dimension: 240x240x320mm

Specification

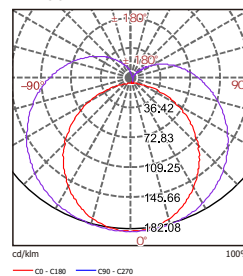
- SMD LED
- Ceramic & PC envelope
- Choice of clear or frosted PC cover

Applications

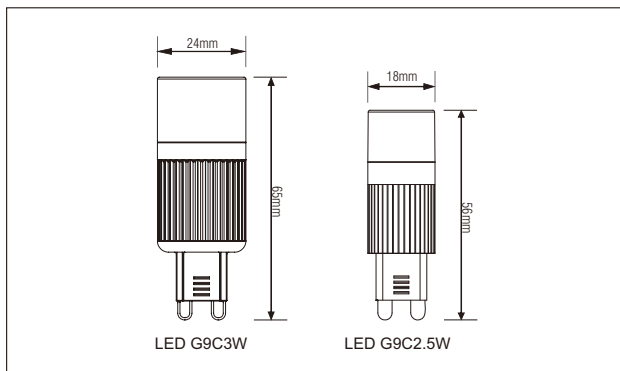
- Restaurants, hotels, retail stores, coffee shops, museums, galleries, homes etc

Photometric Data

LEDG9B 2W



LED G9C



Specification

- SMD LED
- Ceramic & PC envelope
- Dimmable versions available

Notes

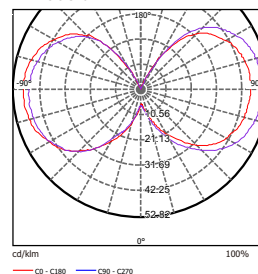
- Minimum dimming wattage: 20W
- Minimum dimming QTY: 10pcs

Applications

- Restaurants, hotels, retail stores, coffee shops, museums, galleries, homes etc

Photometric Data

LEDG9C 3W



Model	Color temp.	Dimmable	Lumens	CRI	PF
LED G9C 2.5W	3000K/6000K	NO	200lm	80	0.50
LED G9C 2.5W	3000K/6000K	YES	180lm	80	0.90
LED G9C 3W	3000K/6000K	NO	300lm	80	0.50
LED G9C 3W	3000K/6000K	YES	240lm	80	0.90

QTY/CTN: 400PCS CTN Dimension: 599x300x200mm



ELITE LED SOLUTIONS

LED Strips



Low Voltage



High Voltage



Double Row

LED R3528/60P



Specification

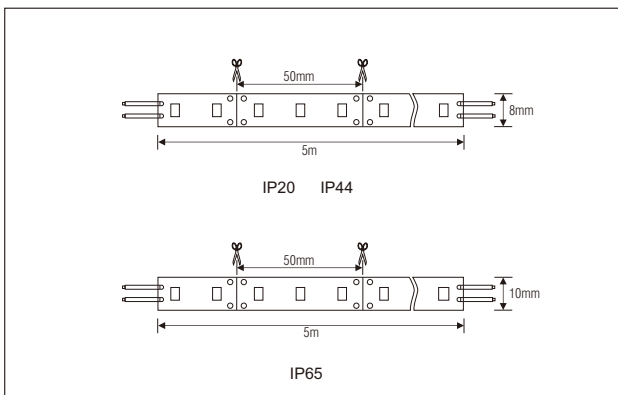
- SMD 3528
- 60 LEDs/meter
- IP20, IP44, IP65 options
- For use with 12V constant voltage driver
- LED driver is not included
- 5m lengths

Applications

- Hotels, shops, restaurants, bars, cafes etc

Options

- IP20 driver-CBD-NLD--DV100*
- series Connectors and protection
- sleeves Caps and Clips



Model	Color temp.	Lumens/m	Watts/m
LED R3528B60P	3000K/4000K/6500K	360lm	4.8W

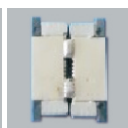
QTY/CTN: 20PCS CTN Dimension: 605x250x230mm



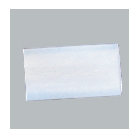
LED Driver with quick-connection



RGB Connector



Intermediate Connector



Heat Shrink



End-cap



Mounting clip

LED R5050/60P



Specification

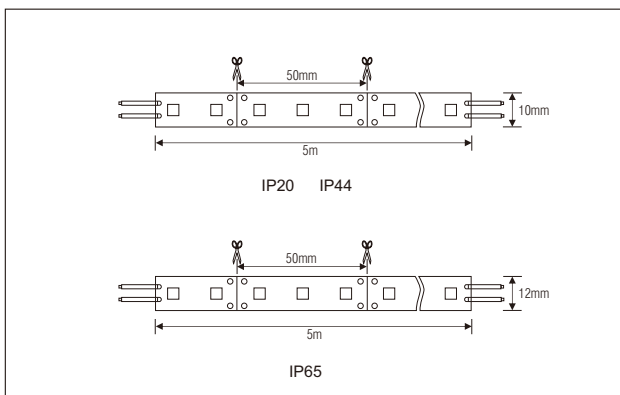
- SMD 5050
- 60 LEDs/meter
- IP20, IP44, IP65 options
- For use with 12V constant voltage driver
- LED driver is not included
- 5m lengths

Applications

- Hotels, shops, restaurants, bars, cafes etc

Options

- IP20 driver-CBD-NLD--DV100*
- series Connectors and protection
- sleeves Caps and Clips



LED Driver with quick-connection

RGB Connector

Intermediate Connector



Heat Shrink

End-cap

Mounting clip

Model	Color temp.	Lumens/m	Watts/m
LED R5050B60P	3000K/4000K/6500K	700lm	14.4W

QTY/CTN: 20PCS CTN Dimension: 605x250x230mm

LED H3528-60P/220V



Specification

- SMD 3528
- 60 LEDs/meter
- Flame retardant PVC sleeve
- Complete with IP20 driver
- 100m lengths

Note

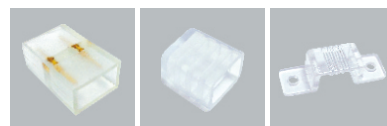
- No more than 40 meters for one LED driver

Applications

- Hotels, shops, restaurants, bars, cafes etc

Options

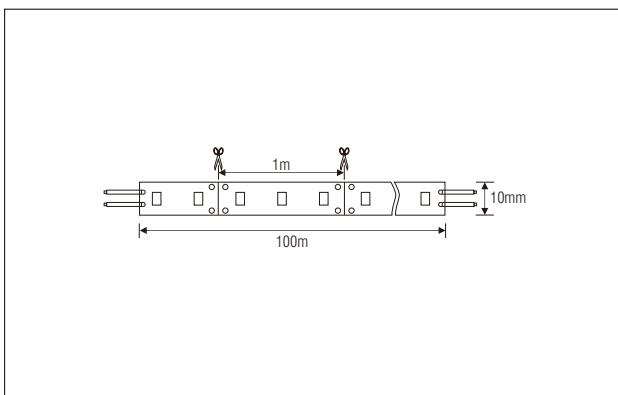
- IP65 LED driver
- Connectors and protection sleeves
- Caps and Clips



Easy middle connector

End-cap

Mounting clip



Model	Color temp.	Lumens/m	Watts/m
LED H3528/60P	3000K/4000K/6500K	300lm	4.8W

QTY/CTN: 100m CTN Dimension: 330x330x160mm

LED H5050-60P/220V



Specification

- SMD 5050
- 60 LEDs/meter
- Flame retardant PVC sleeve
- Very flexible - suitable for light curves
- Complete with IP20 driver
- 50m lengths

Note

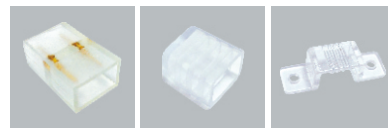
- No more than 40 meters for one LED driver

Applications

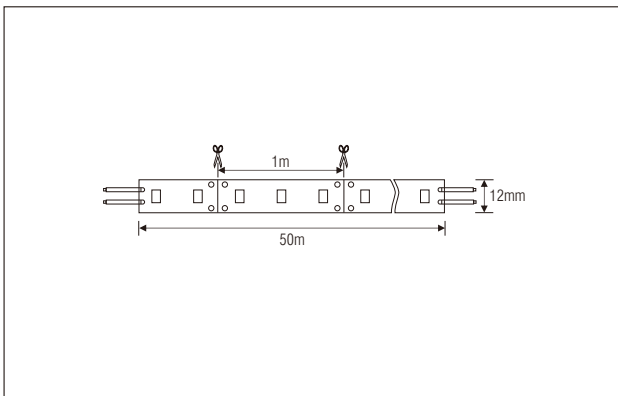
- Hotels, shops, restaurants, bars, cafes etc

Options

- IP65 LED driver
- Connectors and protection sleeves
- Caps and Clips



Easy middle connector End-cap Mounting clip



Model	Color temp.	Lumens/m	Watts/m
LED H5050/60P	2700K/3000K/4000K/5700K	550lm	9W
LED H5050/60P	R/G/B/Y	-	9W

QTY/CTN: 50m CTN Dimension: 330x330x90mm(LED5050-60P)

LED H5050-120P/220V



220-240V



IP65

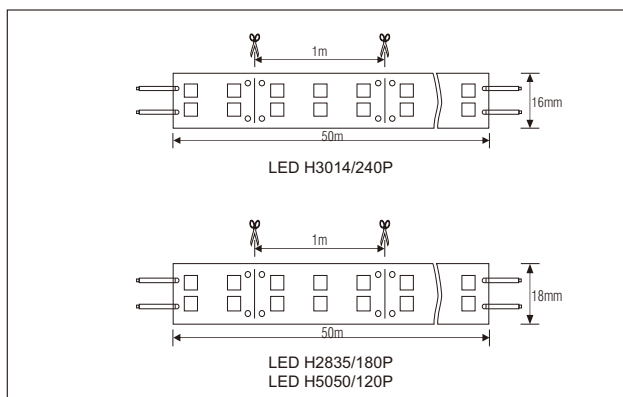
30000H



LED H2835/180P



LED H3014/240P



Model	Color temp.	Lumens/m	Watts/m
LED H3014/240P	2700K/3000K/4000K/5700K	650lm	9W
LED H2835/180P	2700K/3000K/4000K/5700K	600lm	9W
LED H5050/120P	2700K/3000K/4000K/5700K	700lm	12W

QTY/CTN: 50m CTN Dimension: 330x330x160mm

Specification

- LED SMD 5050, 2835, 3014 for option
- Flame retardant PVC sleeve
- Double row
- Complete with IP20 driver
- 50m lengths

Note

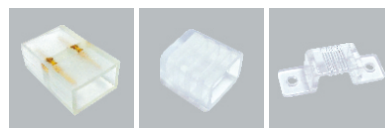
- No more than 40 meters for one LED driver

Applications

- Hotels, shops, restaurants, bars, cafes etc

Options

- IP65 LED driver
- Connectors and protection sleeves
- Caps and Clips



Easy middle connector

End-cap

Mounting clip





ELITE LED SOLUTIONS

LED Spotlights



COB

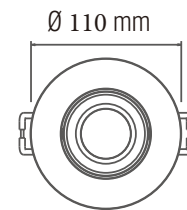


High Power

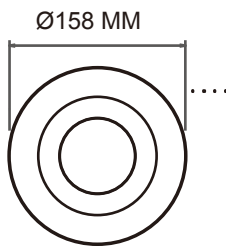
CBD-GROUW-LD20W



CBD-GRPRA-LD15W

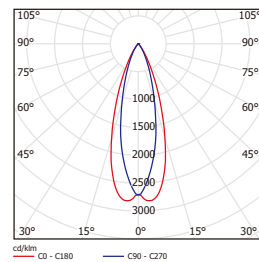


CBD-GROUW-LD20W/D DIMABLE



Photometric Data

CBD-GROUW-20W



Specification

- High power LEDs
- Aluminum housing
- Separate constant current LED driver included

Applications

- Hotels, shopping malls, bars, shops, homes etc

Color



CBD-NLD-113 CBD-NLD-113D



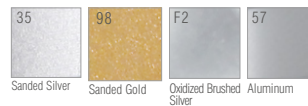
Specification

- High power LEDs
- Anodized die-cast aluminum housing
- PC lens
- Separate constant current LED driver included

Applications

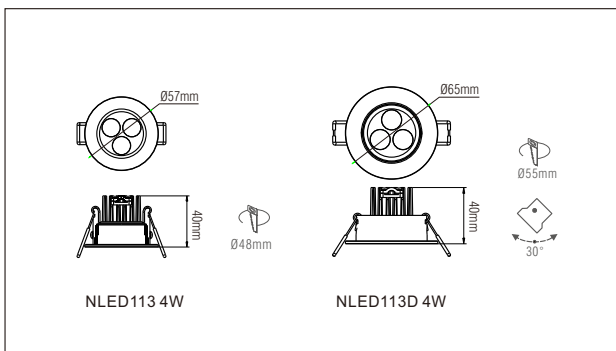
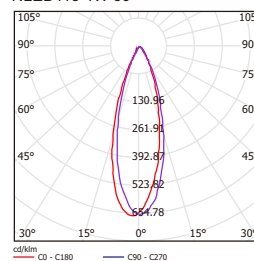
- Hotels, shopping malls, bars, shops, homes etc

Color



Photometric Data

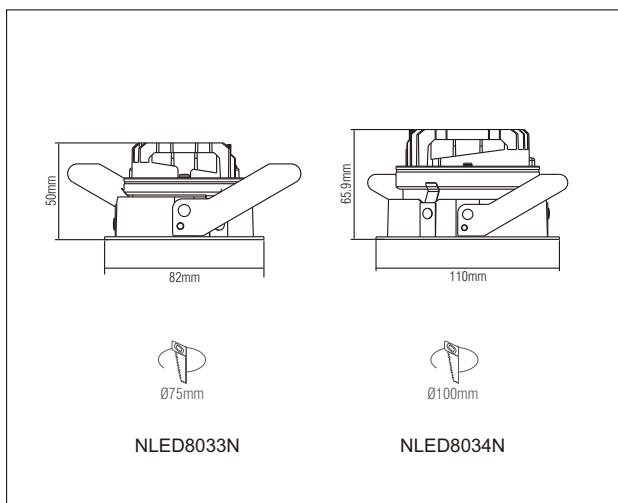
NLED113 4W 30°



Model	Lumens	Color temp.	CRI	PF
NLED113 4W	260lm	3000K/4000K/6500K	80	0.5
NLED113D 4W	260lm	3000K/4000K/6500K	80	0.5

QTY/CTN: 60PCS CTN Dimension: 355x290x325mm(NLED113*)

CBD-NLD-8033N CBD-NLD-8034N



Model	Lumens	Color temp.	CRI	PF
NLED8033N 9W	600lm	2700K/3000K/4000K	80	0.8
NLED8034N 12W	900lm	2700K/3000K/4000K	80	0.8

QTY/CTN: 24PCS CTN Dimension: 472×370×284mm(NLED8033N)
 QTY/CTN: 12PCS CTN Dimension: 370×364×256mm(NLED8034N)

Specification

- CREE high power LEDs
- Die-cast aluminum housing & heat sink
- PC lens
- Separate constant correct LED driver included

Options

- Choice of 24° or 30° beam angle

Applications

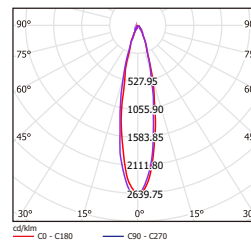
- Hotels, shopping malls, halls, theaters etc

Color

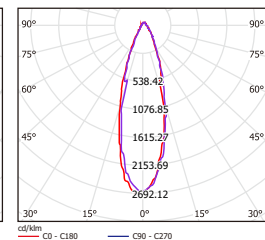


Photometric Data

NLED8033N 9W 24°

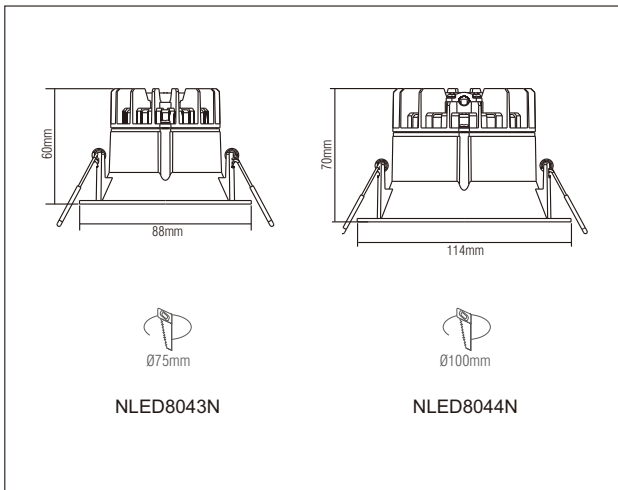
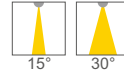


NLED8034N 12W 24°



CBD-NLD-8043N

CBD-NLD-8044N



Specification

- CREE high power LEDs
- Die-cast aluminum housing & heat sink
- PC lens
- Separate constant correct LED driver included

Options

- Choice of 15° or 30° beam angle

Applications

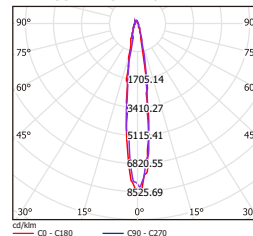
- Hotels, shopping malls, halls, theaters etc

Color

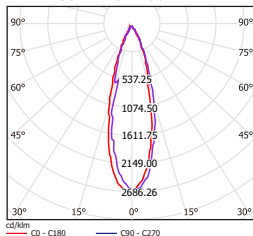


Photometric Data

NLED8044N 9W 15°



NLED8044N 9W 30°



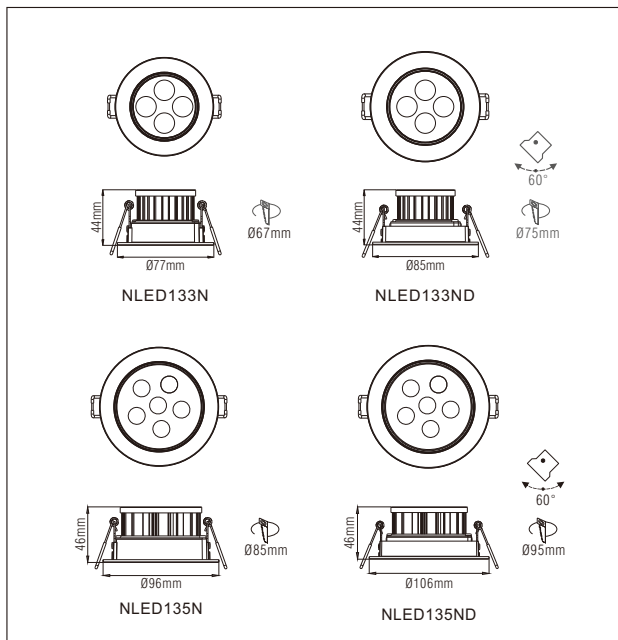
Model	Lumens	Color temp.	CRI	PF
NLED8043N 6W	380lm	2700K/3000K/4000K	83	0.9
NLED8044N 9W	600lm	2700K/3000K/4000K	80	0.95
NLED8044N 12W	800lm	2700K/3000K/4000K	80	0.95

QTY/CTN: 27PCS CTN Dimension: 358×308×260mm(NLED8043N)
 QTY/CTN: 18PCS CTN Dimension: 382×268×282mm(NLED8044N)

CBD-NLD-13*N CBD-NLD-13*ND



220V-240V



Specification

- High power LEDs
- PC bezel & rear cover
- PC lens
- Built-in constant current LED driver

Applications

- Hotels, shopping malls, bars, shops, homes etc

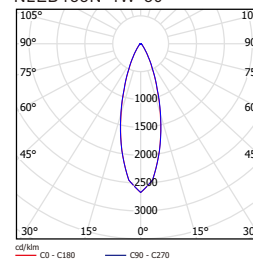
Color

99

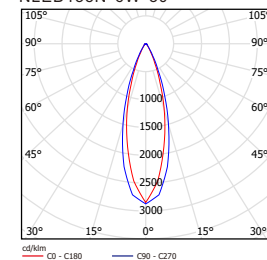
Semi-white

Photometric Data

NLED133N 4W 30°



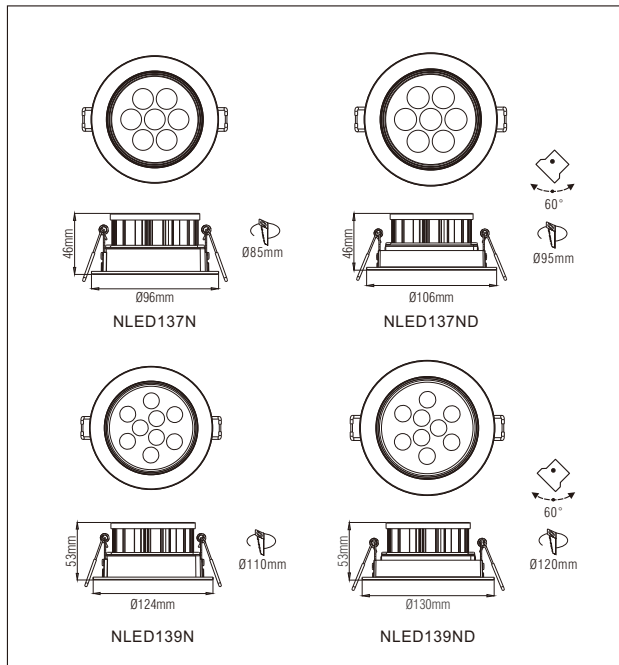
NLED135N 6W 30°



Model	Lumens	Color temp.	CRI	PF
NLED133N 4W	270lm	3000K/4000K/5700K	80	0.5
NLED133ND 4W	270lm	3000K/4000K/5700K	80	0.5
NLED135N 6W	400lm	3000K/4000K/5700K	80	0.7
NLED135ND 6W	400lm	3000K/4000K/5700K	80	0.7

QTY/CTN: 48PCS CTN Dimension: 346x262x252mm(NLED133*)
 QTY/CTN: 48PCS CTN Dimension: 422x320x280mm(NLED135*)

CBD-NLD-13*N CBD-NLD-13*ND



Specification

- High power LEDs
- PC bezel & rear cover
- PC lens
- Built-in constant current LED driver

Applications

- Hotels, shopping malls, bars, shops, homes etc

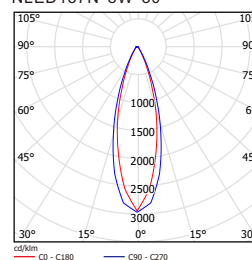
Color



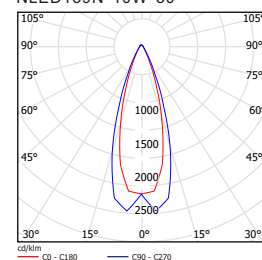
Semi-white

Photometric Data

NLED137N 8W 30°



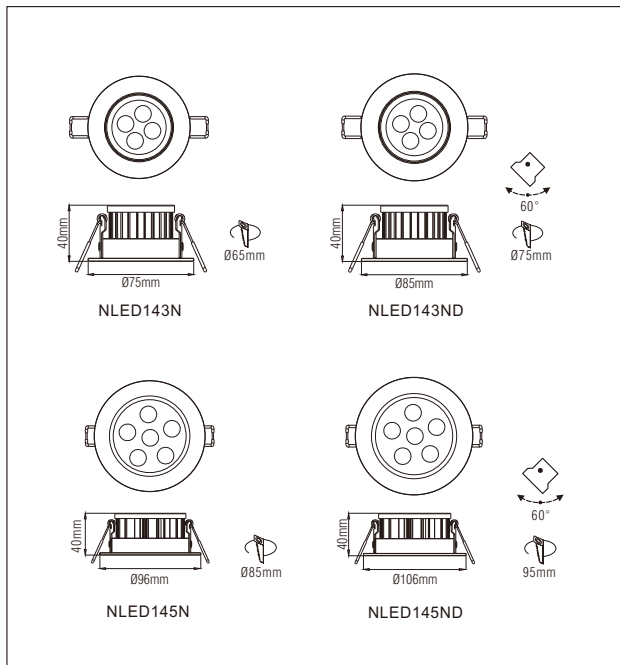
NLED139N 10W 30°



Model	Lumens	Color temp.	CRI	PF
NLED137N 8W	540Lm	3000K/4000K/5700K	80	0.8
NLED137ND 8W	540Lm	3000K/4000K/5700K	80	0.8
NLED139N 10W	680Lm	3000K/4000K/5700K	80	0.8
NLED139ND 10W	680Lm	3000K/4000K/5700K	80	0.8

QTY/CTN: 48PCS CTN Dimension: 422x320x280mm(NLED137*)
 QTY/CTN: 24PCS CTN Dimension: 404x272x300mm(NLED139*)

CBD-NLD-14*N CBD-NLD-14*ND



Specification

- High power LEDs
- Anodized aluminum housing
- PC rear cover
- PC lens
- Built-in constant current LED driver

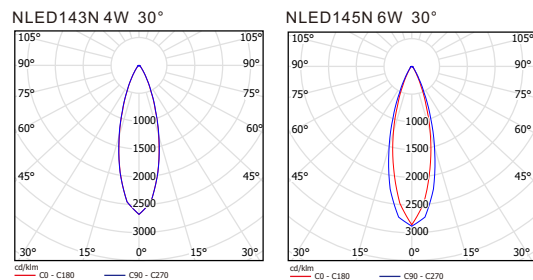
Applications

- Hotels, shopping malls, bars, shops, homes etc

Color



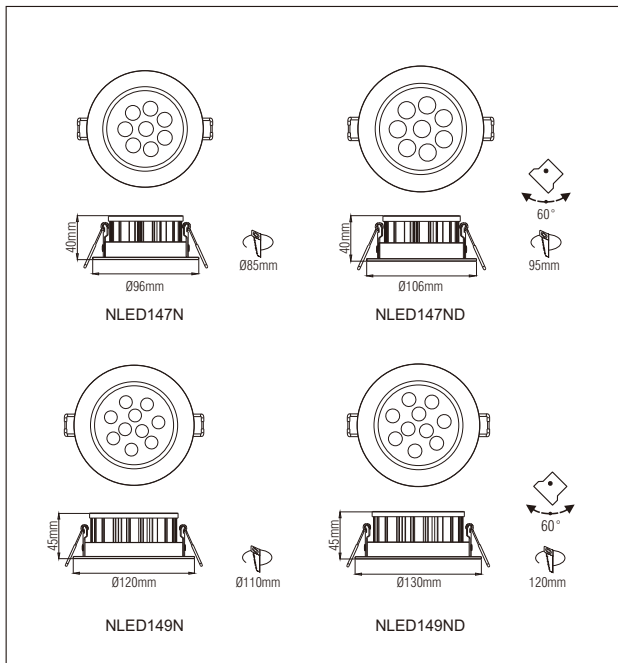
Photometric Data



Model	Lumens	Color temp.	CRI	PF
NLED143N 4W	270lm	3000K/4000K/5700K	80	0.5
NLED143ND 4W	270lm	3000K/4000K/5700K	80	0.5
NLED145N 6W	400lm	3000K/4000K/5700K	80	0.7
NLED145ND 6W	400lm	3000K/4000K/5700K	80	0.7

QTY/CTN: 48PCS CTN Dimension: 338x256x240mm(NLED143*)
 QTY/CTN: 48PCS CTN Dimension: 422x320x244mm(NLED145*)

CBD-NLD-14*N CBD-NLD-14*ND



Specification

- High power LEDs
- Anodized aluminum housing
- PC rear cover
- PC lens
- Built-in constant current LED driver

Applications

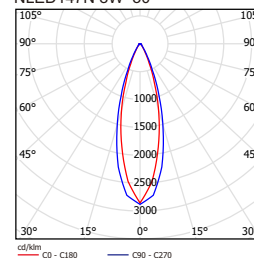
- Hotels, shopping malls, bars, shops, homes etc

Color

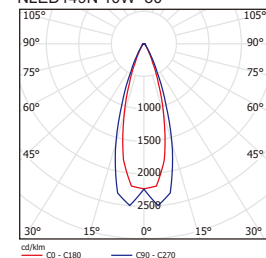


Photometric Data

NLED147N 8W 30°



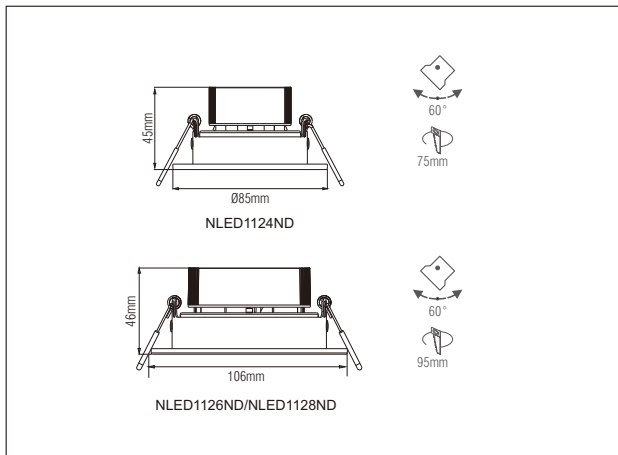
NLED149N 10W 30°



Model	Lumens	Color temp.	CRI	PF
NLED147N 8W	540lm	3000K/4000K/5700K	80	0.8
NLED147ND 8W	540lm	3000K/4000K/5700K	80	0.8
NLED149N 10W	680lm	3000K/4000K/5700K	80	0.8
NLED149ND 10W	680lm	3000K/4000K/5700K	80	0.8

QTY/CTN: 48PCS CTN Dimension: 462x350x256mm(NLED147*)
 QTY/CTN: 24PCS CTN Dimension: 392x264x256mm(NLED149*)

CBD-NLD-112*ND



Specification

- High power LEDs
- Steel housing with choice of two finishes: satin nickel or painted white
- PC rear cover
- PC lens
- Built-in constant current LED driver

Applications

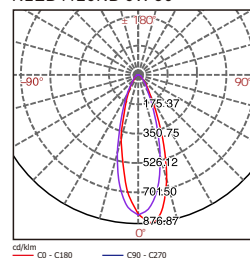
- Hotels, shopping malls, bars, shops, homes etc

Color

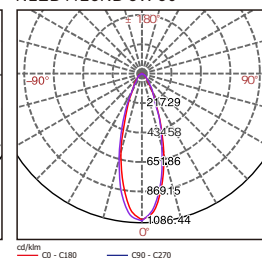


Photometric Data

NLED1126ND 6W 30°



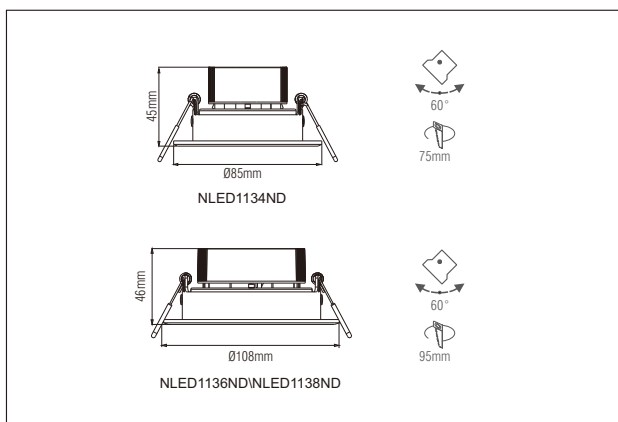
NLED1128ND 8W 30°



Model	Lumens	Color temp.	CRI	PF
NLED1124ND 4W	270lm	3000K/4000K/5700K	80	0.5
NLED1126ND 6W	400lm	3000K/4000K/5700K	80	0.8
NLED1128ND 8W	540lm	3000K/4000K/5700K	80	0.8

QTY/CTN: 48PCS CTN Dimension: 380x288x270mm(NLED1124ND)
 QTY/CTN: 48PCS CTN Dimension: 464x351x270mm(NLED1126ND)
 QTY/CTN: 48PCS CTN Dimension: 464x351x270mm(NLED1128ND)

CBD-NLD-113*ND



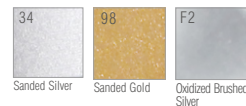
Specification

- High power LEDs
- Anodized aluminum housing with choice of finishes
- PC rear cover
- PC lens
- Built-in constant current LED driver

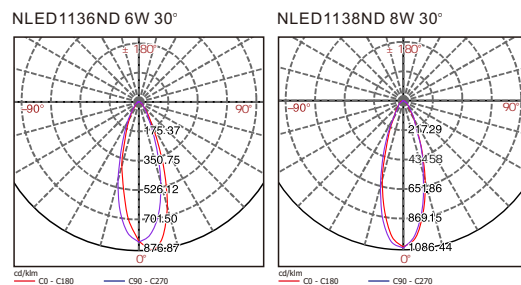
Applications

- Hotels, shopping malls, bars, shops, homes etc

Color



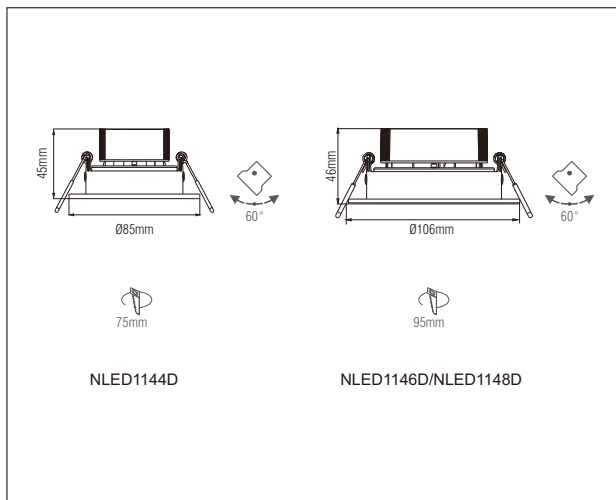
Photometric Data



Model	Lumens	Color temp.	CRI	PF
NLED1134ND 4W	270lm	3000K/4000K/5700K	80	0.5
NLED1136ND 6W	400lm	3000K/4000K/5700K	80	0.8
NLED1138ND 8W	540lm	3000K/4000K/5700K	80	0.8

QTY/CTN: 48PCS CTN Dimension: 380x280x270mm(NLED1134D)
 QTY/CTN: 48PCS CTN Dimension: 472x357x270mm(NLED1136D)
 QTY/CTN: 48PCS CTN Dimension: 472x357x270mm(NLED1138D)

CBD-NLD-114*ND



Specification

- High power LEDs
- PC housing, rear cover & lens
- Built-in constant current LED driver

Applications

- Hotels, shopping malls, bars, shops, homes etc

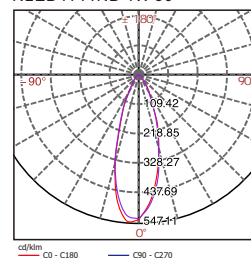
Color



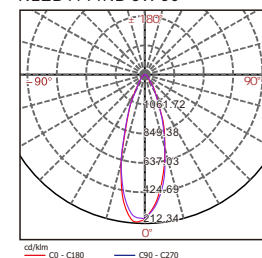
Semi-white

Photometric Data

NLED1144ND 4W 30°



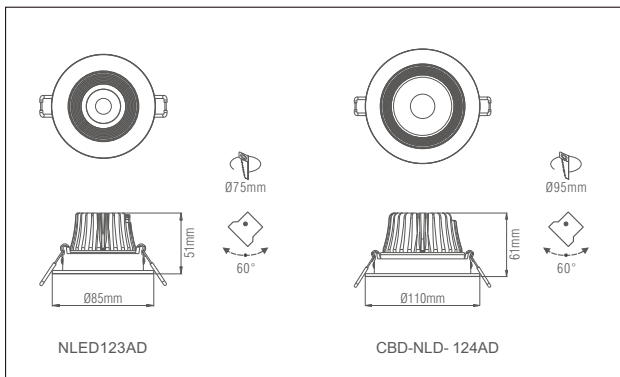
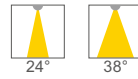
NLED1144ND 8W 30°



Model	Lumens	Color temp.	CRI	PF
NLED1144ND 4W	270lm	3000K/4000K/5700K	80	0.5
NLED1146ND 6W	400lm	3000K/4000K/5700K	80	0.8
NLED1148ND 8W	540lm	3000K/4000K/5700K	80	0.8

QTY/CTN: 48PCS CTN Dimension: 380x288x270mm(NLED1144ND)
 QTY/CTN: 48PCS CTN Dimension: 472x357x270mm(NLED1146ND)
 QTY/CTN: 48PCS CTN Dimension: 472x357x270mm(NLED1148ND)

CBD-NLD-12*AD



Specification

- COB LED
- Die-cast aluminum heat sink
- PC cover lens
- Separate constant current LED driver included

Applications

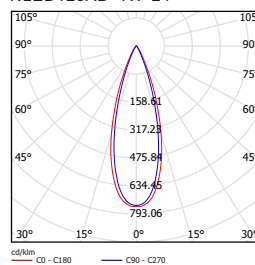
- Hotels, shopping malls, bars, shops, homes etc

Color

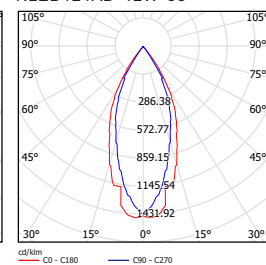


Photometric Data

NLED123AD 4W 24°



NLED124AD 12W 38°



Model	Lumens	Color temp.	CRI	PF
NLED123AD 4W	240lm	3000K/4000K/6500K	80	0.5
NLED123AD 6W	340lm	3000K/4000K/6500K	80	0.5
NLED124AD 9W	550lm	3000K/4000K/6500K	80	0.95
NLED124AD 12W	720lm	3000K/4000K/6500K	80	0.95

QTY/CTN: 20PCS CTN Dimension: 590x245x170mm(NLED123AD)
 QTY/CTN: 18PCS CTN Dimension: 435x435x190mm(NLED124AD)

CBD-NLD-119*DL/DSL



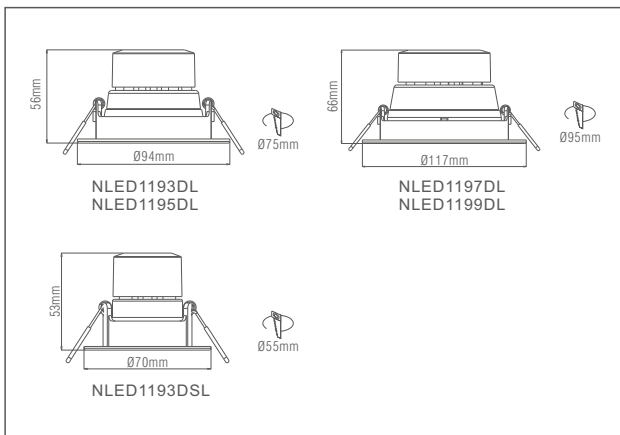
new



Brass



Matt brown



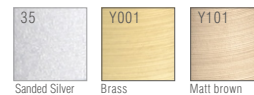
Specification

- COB LED
- Aluminum bezel
- PC rear cover
- Built-in constant current LED driver

Applications

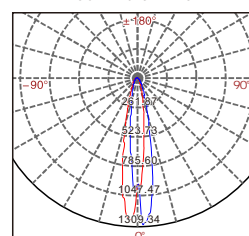
- Hotels, shopping malls, bars, shops, homes etc

Color

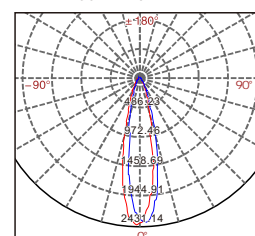


Photometric Data

NLED1193DL 3.5W 15°



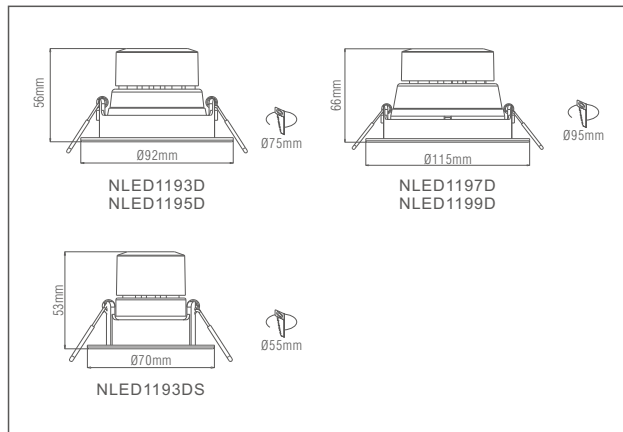
NLED1199DL 10W 24°



Model	Lumens	Color temp.	CRI	PF
NLED1193DL 3.5W	260lm	3000K/4000K/5700K	80	0.5
NLED1195DL 5W	375lm	3000K/4000K/5700K	80	0.5
NLED1197DL 8W	600lm	3000K/4000K/5700K	80	0.8
NLED1199DL 10W	700lm	3000K/4000K/5700K	80	0.8
NLED1193DSL 3.5W	260lm	3000K/4000K/5700K	80	0.5

QTY/CTN: 48PCS CTN Dimension: 416×314×318mm(NLED1193DL)
 QTY/CTN: 48PCS CTN Dimension: 416×314×318mm(NLED1195DL)
 QTY/CTN: 36PCS CTN Dimension: 384×384×338mm(NLED1197DL)
 QTY/CTN: 36PCS CTN Dimension: 384×384×338mm(NLED1199DL)
 QTY/CTN: 48PCS CTN Dimension: 328×248×302mm(NLED1193DSL)

CBD-NLD-119*D/DS



Specification

- COB LED
- PC bezel
- PC rear cover
- Built-in constant current LED driver

Applications

- Hotels, shopping malls, bars, shops, homes etc

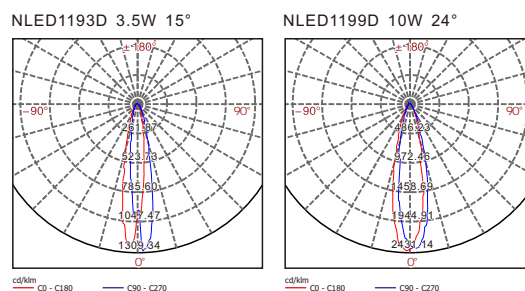
Color



Model	Lumens	Color temp.	CRI	PF
NLED1193D 3.5W	260lm	3000K/4000K/5700K	80	0.5
NLED1195D 5W	375lm	3000K/4000K/5700K	80	0.5
NLED1197D 8W	600lm	3000K/4000K/5700K	80	0.8
NLED1199D 10W	700lm	3000K/4000K/5700K	80	0.8
NLED1193DS 3.5W	260lm	3000K/4000K/5700K	80	0.5

QTY/CTN: 48PCS CTN Dimension: 410×310×312mm(NLED1193D)
 QTY/CTN: 48PCS CTN Dimension: 410×310×312mm(NLED1195D)
 QTY/CTN: 36PCS CTN Dimension: 380×380×340mm(NLED1197D)
 QTY/CTN: 36PCS CTN Dimension: 380×380×340mm(NLED1199D)
 QTY/CTN: 48PCS CTN Dimension: 320×242×298mm(NLED1193DS)

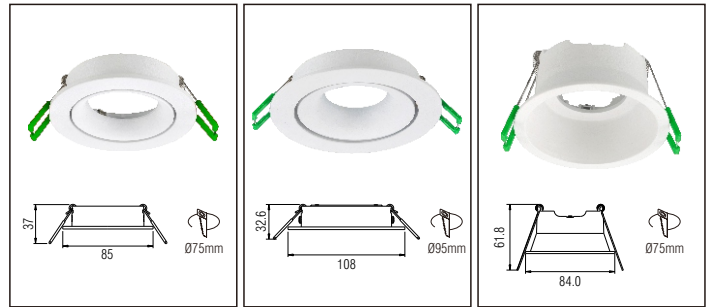
Photometric Data



CBD-NLD-1180 10W



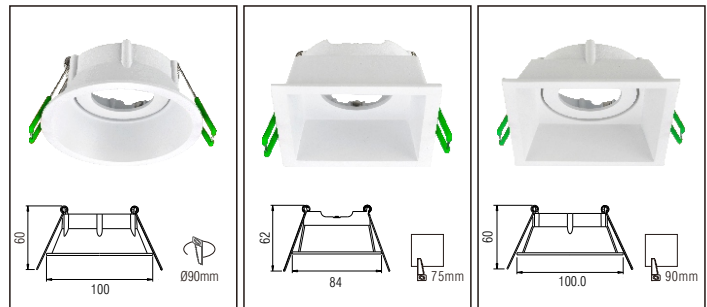
NLED1180-1/2/3/4/5/6



NLED1180-1

NLED1180-2

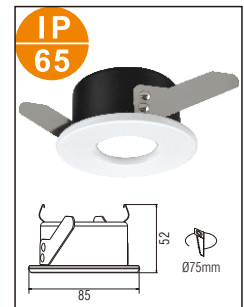
NLED1180-3



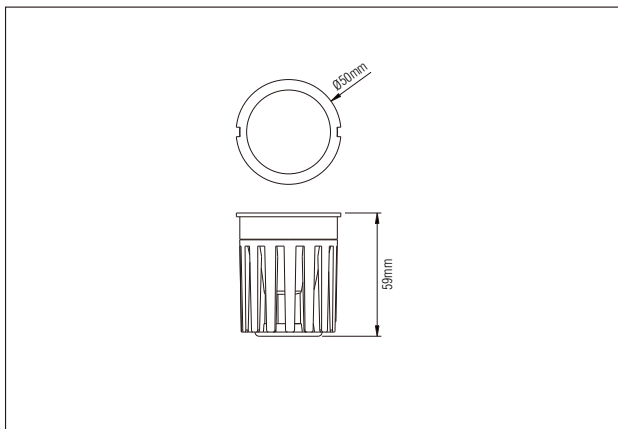
NLED1180-4

NLED1180-5

NLED1180-6



NLED802



Specification

- COB LED
- Die-cast aluminum housing
- Separate constant current LED driver included

Options

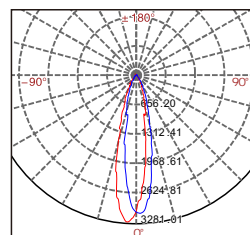
- NLED1180-1/2/3/4/5/6/NLED802
- Osram driver

Applications

- Hotels, shopping malls, bars, shops, homes etc

Photometric Data

NLED1180 10W 20°



cd/klm
— C0 - C180 — C90 - C270

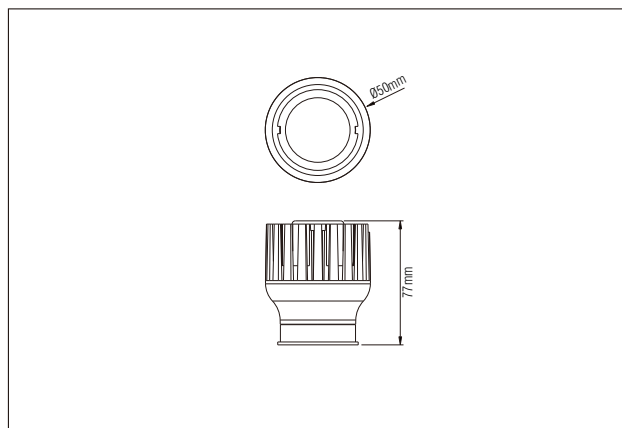
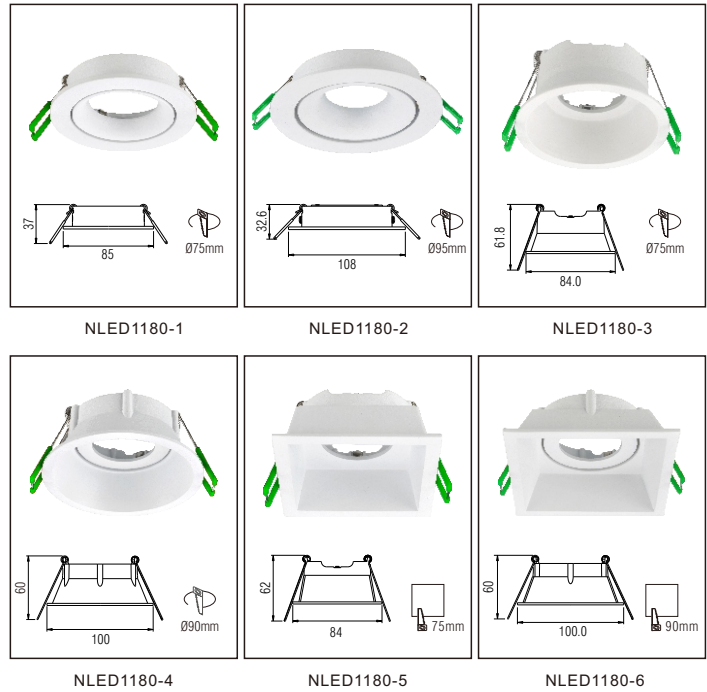
Model	Lumens	Color temp.	CRI	PF
NLED1180 10W	750lm	2700K/3000K/4000K/6500K	80	0.9

QTY/CTN: 20PCS	CTN Dimension: 370x270x210mm(NLED1180 10W)
QTY/CTN: 20PCS	CTN Dimension: 210x210x250mm(NLED1180-1)
QTY/CTN: 20PCS	CTN Dimension: 260x260x230mm(NLED1180-2)
QTY/CTN: 20PCS	CTN Dimension: 220x220x350mm(NLED1180-3/4/5)
QTY/CTN: 20PCS	CTN Dimension: 260x240x350mm(NLED1180-6)
QTY/CTN: 32PCS	CTN Dimension: 405x210x265mm(NLED802)

CBD-NLD-1180 13W



NLED1180-1/2/3/4/5/6



Specification

- COB LED
- Die-cast aluminum housing
- Separate constant current LED driver is included

Options

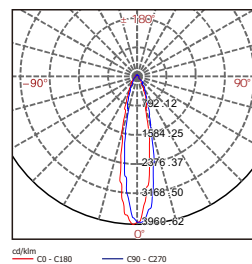
- NLED1180-1/2/3/4/5/6
- Osram driver

Applications

- Hotels, shopping malls, bars, shops, homes etc

Photometric Data

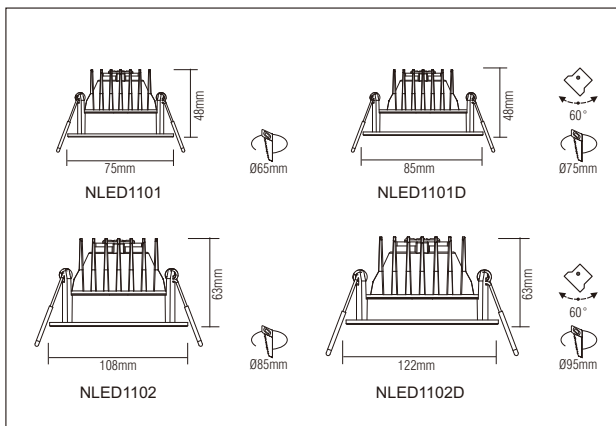
NLED1180 13W 20°



Model	Lumens	Color temp.	CRI	PF
NLED1180 13W	950lm	2700K/3000K/4000K/6500K	80	0.8

- QTY/CTN: 20PCS CTN Dimension: 445x270x230mm(NLED1180 13W)
- QTY/CTN: 20PCS CTN Dimension: 210x210x250mm(NLED1180-1)
- QTY/CTN: 20PCS CTN Dimension: 260x260x230mm(NLED1180-2)
- QTY/CTN: 20PCS CTN Dimension: 220x220x350mm(NLED1180-3/4/5)
- QTY/CTN: 20PCS CTN Dimension: 260x240x350mm(NLED1180-6)

CBD-NLD-110*



Specification

- COB LED
- Die-cast aluminum housing
- Separate constant current LED driver included

Applications

- Hotels, shopping malls, bars, shops, homes etc

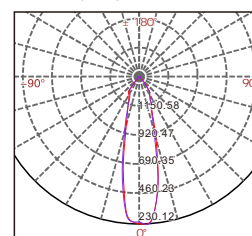
Color



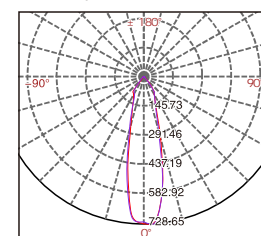
Cream White

Photometric Data

NLED1102D 9W 24°



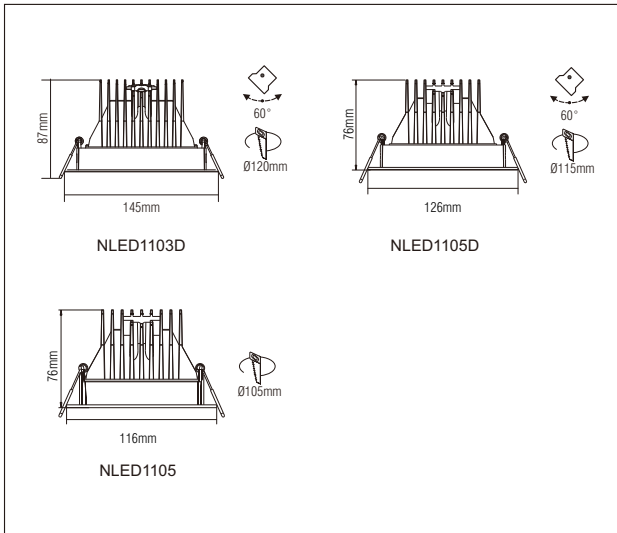
NLED1102D 12W 24°



Model	Lumens	Color temp.	CRI	PF
NLED1101 4W	260lm	3000K/4000K/6500K	80	0.5
NLED1101D 4W	260lm	3000K/4000K/6500K	80	0.5
NLED1101 6W	400lm	3000K/4000K/6500K	80	0.9
NLED1101D 6W	400lm	3000K/4000K/6500K	80	0.9
NLED1102 9W	600lm	3000K/4000K/6500K	80	0.9
NLED1102D 9W	600lm	3000K/4000K/6500K	80	0.9
NLED1102 12W	800lm	3000K/4000K/6500K	80	0.9
NLED1102D 12W	800lm	3000K/4000K/6500K	80	0.9

QTY/CTN: 36PCS CTN Dimension: 308x272x296mm(NLED1101)
 QTY/CTN: 36PCS CTN Dimension: 322x302x296mm(NLED1101D)
 QTY/CTN: 36PCS CTN Dimension: 364x332x346mm(NLED1102)
 QTY/CTN: 36PCS CTN Dimension: 378x362x358mm(NLED1102D)

CBD-NLD-110*



Specification

- COB LED
- Die-cast aluminum housing
- Separate constant current LED driver included

Applications

- Hotels, shopping malls, bars, shops, homes etc

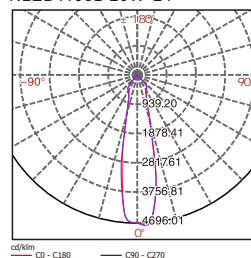
Color



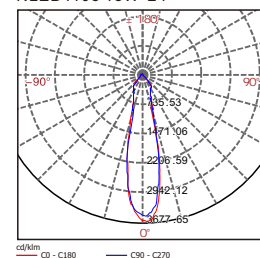
Cream White

Photometric Data

NLED1103D 20W 24°



NLED1105 15W 24°



Model	Lumens	Color temp.	CRI	PF
NLED1105 15W	950lm	3000K/4000K/6500K	80	0.95
NLED1105D 15W	950lm	3000K/4000K/6500K	80	0.95
NLED1103D 20W	1260lm	3000K/4000K/6500K	80	0.95

QTY/CTN: 36PCS CTN Dimension: 393x372x350mm(NLED1105)
 QTY/CTN: 36PCS CTN Dimension: 408x408x375mm(NLED1105D)
 QTY/CTN: 18PCS CTN Dimension: 462x322x324mm(NLED1103D)

CBD-NLD-1104DA

CBD-NLD-1104D



new



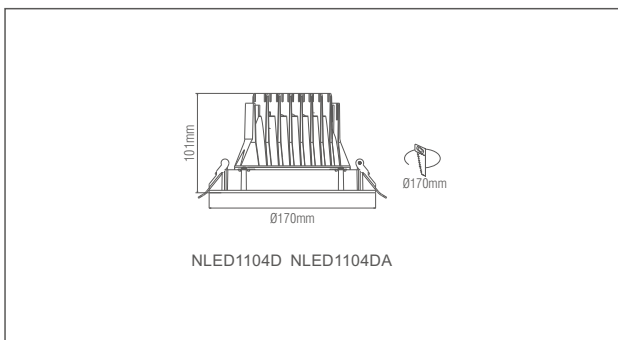
Specification

- COB LED
- Die-cast aluminum housing
- Separate constant current LED driver included

Applications

- Hotels, shopping malls, bars, shops, homes etc

Color

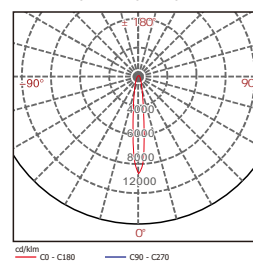


Model	Lumens	Color temp.	CRI	PF
NLED1104DA 25W	1875lm	3000K/4000K/5700K	80	0.95
NLED1104D 35W	2450lm	3000K/4000K/5700K	80	0.95

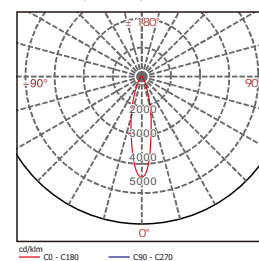
QTY/CTN: 18PCS CTN Dimension: 542x366x370mm

Photometric Data

NLED1104DA 25W 15°



NLED1104DA 25W 24°



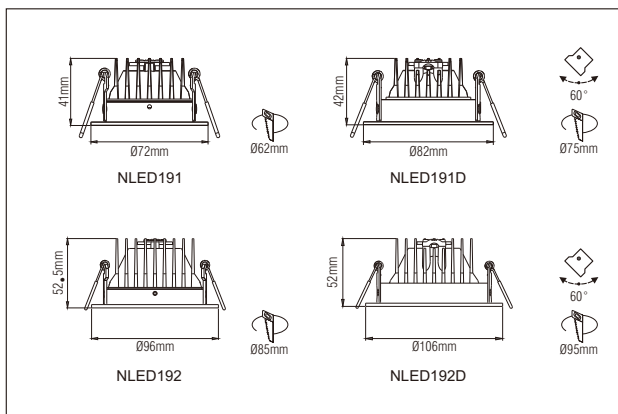
CBD-NLD-19*



new



bezel and inner ring white painted



Specification

- COB LED
- Anodized die-cast aluminum housing
- Separate constant current LED driver is included

Applications

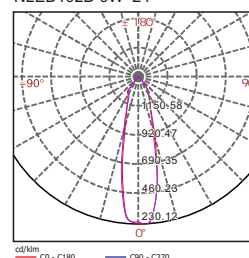
- Hotels, shopping malls, bars, shops, homes etc

Color

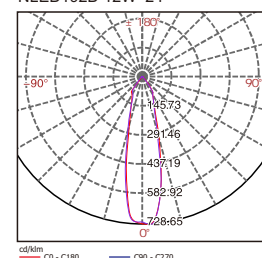


Photometric Data

NLED192D 9W 24°



NLED192D 12W 24°



Model	Lumens	Color temp.	CRI	PF
NLED191 4W	260lm	3000K/4000K/6500K	80	0.5
NLED191D 4W	260lm	3000K/4000K/6500K	80	0.5
NLED191 6W	400lm	3000K/4000K/6500K	80	0.9
NLED191D 6W	400lm	3000K/4000K/6500K	80	0.9
NLED192 9W	600lm	3000K/4000K/6500K	80	0.9
NLED192D 9W	600lm	3000K/4000K/6500K	80	0.9
NLED192 12W	800lm	3000K/4000K/6500K	80	0.9
NLED192D 12W	800lm	3000K/4000K/6500K	80	0.9

QTY/CTN: 36PCS CTN Dimension: 272x272x264mm(NLED191)
 QTY/CTN: 36PCS CTN Dimension: 292x292x264mm(NLED191D)
 QTY/CTN: 36PCS CTN Dimension: 332x332x316mm(NLED192)
 QTY/CTN: 36PCS CTN Dimension: 346x346x316mm(NLED192D)

CBD-NLD-8014NA

CBD-NLD-8015NA



Specification

- COB LED
- Die-cast aluminum housing
- PC diffuser
- Separate constant current LED driver included
- DALI driver available
- Choice of 15° or 24° beam angle

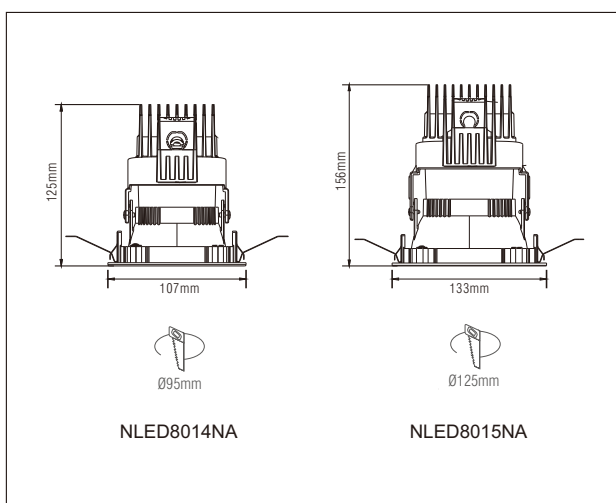
Applications

- Hotels, shopping malls, halls, theaters etc

Color

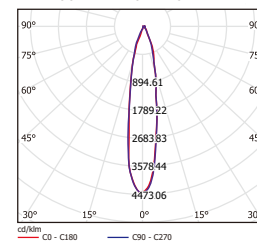
99

Semi-white

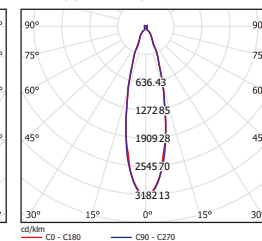


Photometric Data

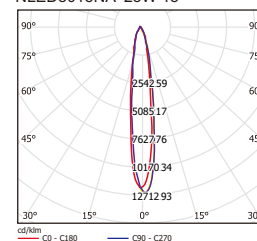
NLED8014NA 15W 15°



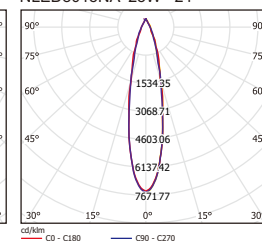
NLED8014NA 15W 24°



NLED8015NA 25W 15°



NLED8015NA 25W 24°



Model	Lumens	Color temp.	CRI	PF
NLED8014NA 15W	850lm	2700K/3000K/4000K	83	0.8
NLED8015NA 25W	1580lm	2700K/3000K/4000K	83	0.95

QTY/CTN: 12PCS CTN Dimension: 374x362x370mm(NLED8014NA)
 QTY/CTN: 12PCS CTN Dimension: 518x444x432mm(NLED8015NA)

CBD-NLD-8016NA CBD-NLD-8018NA



Specification

- COB LED
- Die-cast aluminum housing
- PC diffuser
- Separate constant current LED driver included
- DALI driver available
- Choice of 15° or 24° beam angle

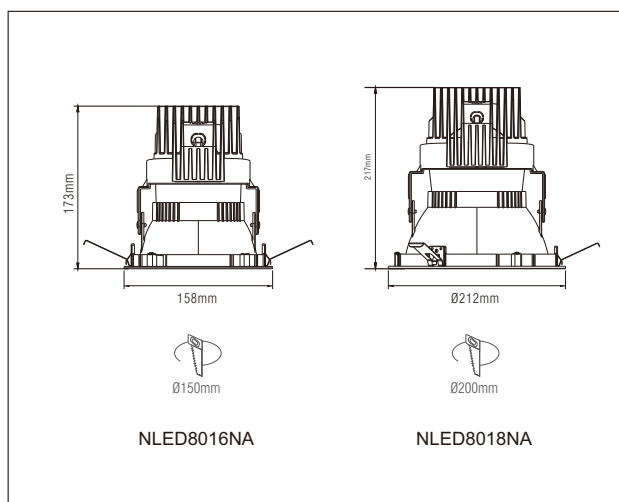
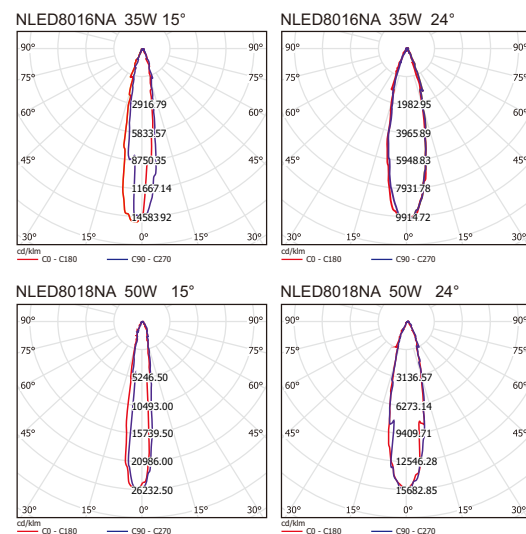
Applications

- Hotels, shopping malls, halls, theaters etc

Color



Photometric Data



Model	Lumens	Color temp.	CRI	PF
NLED8016NA 35W	2450Lm	2700K/3000K/4000K	80	0.95
NLED8018NA 50W	3450Lm	2700K/3000K/4000K	80	0.95

QTY/CTN: 8PCS CTN Dimension: 518x366x474mm(NLED8016NA)
 QTY/CTN: 4PCS CTN Dimension: 552x548x262mm(NLED8018NA)

CBD-NLD-8016NB NLED8018NB



Specification

- COB LED
- Die-cast aluminum housing
- Separate constant current LED driver included
- DALI driver available
- Choice of 15° or 24° beam angle

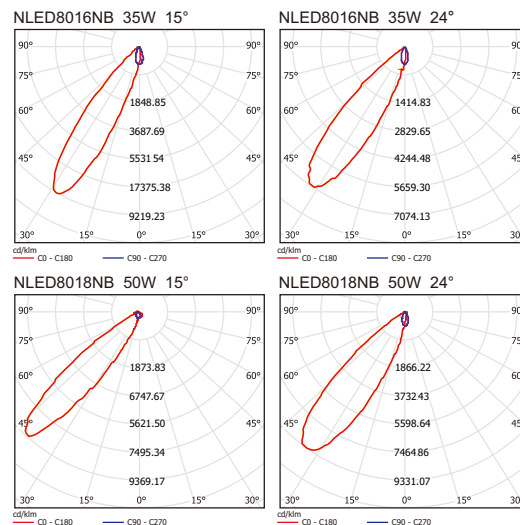
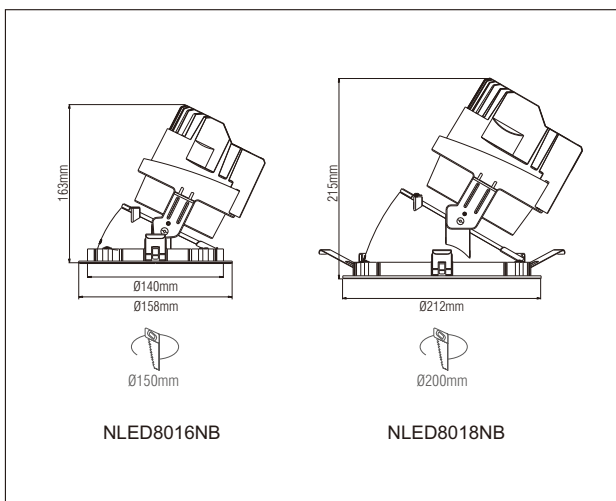
Application

- Hotels, shopping malls, halls, theaters etc

Color



Photometric Data

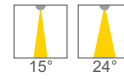


Model	Lumens	Color temp.	CRI	PF
NLED8016NB 35W	2450Lm	2700K/3000K/4000K	80	0.95
NLED8018NB 50W	3450Lm	2700K/3000K/4000K	80	0.95

QTY/CTN: 12PCS CTN Dimension: 374x362x370mm(NLED8016NB)
 QTY/CTN: 12PCS CTN Dimension: 518x444x432mm(NLED8018NB)

CBD-NLD-8014ND

NLED8015ND



Specification

- COB LED
- Die-cast aluminum housing
- Separate constant current LED driver included
- DALI driver available
- Choice of 15° or 24° beam angle

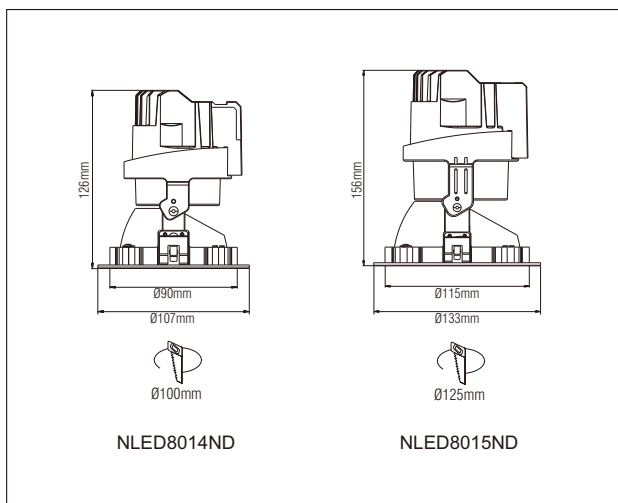
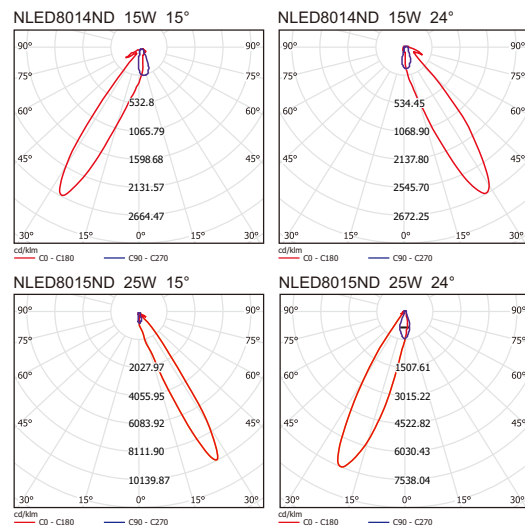
Application

- Hotels, shopping malls, halls, theaters etc

Color



Photometric Data



Model	Lumens	Color temp.	CRI	PF
NLED8014ND 15W	850Lm	2700K/3000K/4000K	83	0.8
NLED8015ND 25W	1580Lm	2700K/3000K/4000K	83	0.95

QTY/CTN: 8PCS CTN Dimension: 518x366x474mm(NLED8014ND)
 QTY/CTN: 4PCS CTN Dimension: 552x548x262mm(NLED8015ND)

CBD-NLD-8016ND NLED8018ND



Specification

- COB LED
- Die-cast aluminum housing
- Separate constant current LED driver included
- DALI driver available

Application

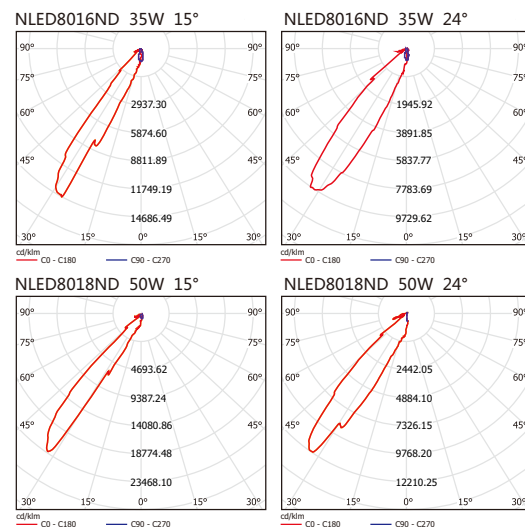
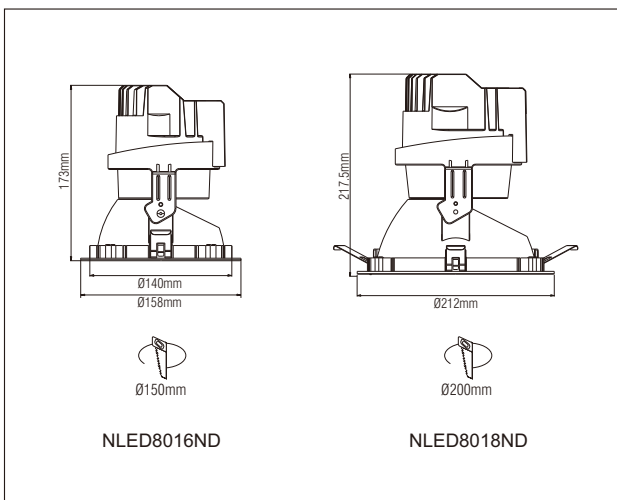
- Hotels, shopping malls, halls, theaters etc

Color



Semi-white

Photometric Data



Model	Lumens	Color temp.	CRI	PF
NLED8016ND 35W	2450Lm	2700K/3000K/4000K	80	0.95
NLED8018ND 50W	3450Lm	2700K/3000K/4000K	80	0.95

QTY/CTN: 6PCS CTN Dimension: 534x438x278mm(NLED8016ND)
 QTY/CTN: 4PCS CTN Dimension: 480x480x278mm(NLED8018ND)

CBD-NLD-8023NA*



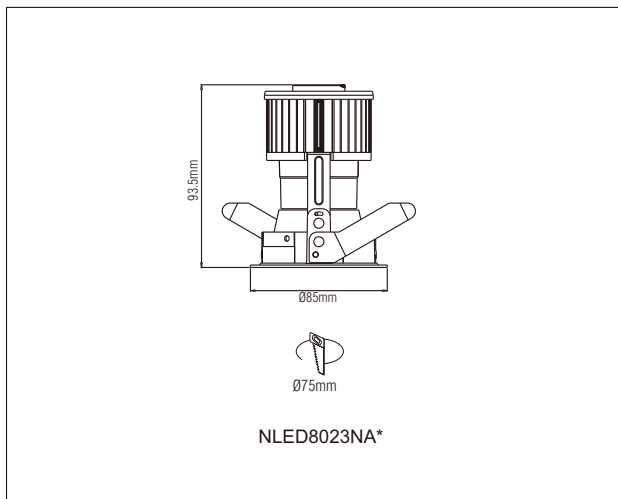
(NLED8023NA1)



NLED8023NA2



NLED8023NA3 glass cover



Specification

- COB LED
- Die-cast aluminum housing
- Separate constant current LED driver included
- DALI driver available

Applications

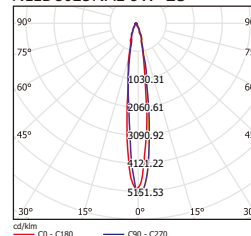
- Hotels, shopping malls, halls, theaters etc

Color

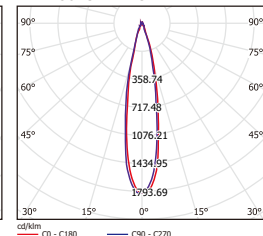


Photometric Data

NLED8023NA1 9W 15°



NLED8023NA2 9W 24°



Model	Lumens	Color temp.	CRI	PF
NLED8023NA1 9W	550Lm	2700K/3000K/4000K	83	0.9
NLED8023NA2 9W	330Lm	2700K/3000K/4000K	83	0.9
NLED8023NA3 9W	290Lm	2700K/3000K/4000K	83	0.9

QTY/CTN: 24PCS CTN Dimension: 380×338×222mm(NLED8023NA*)

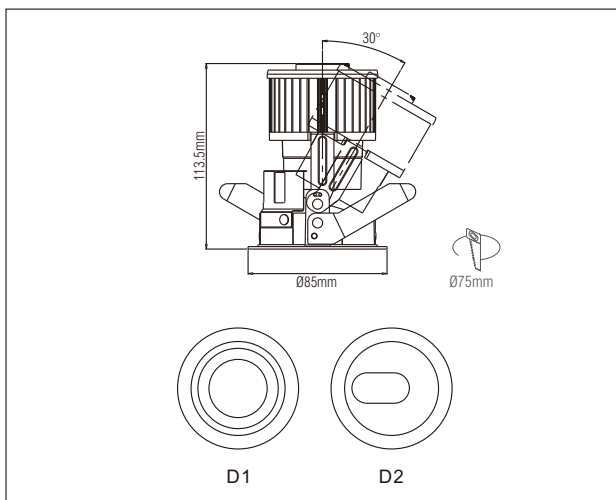
CBD-NLD-8023ND*



(NLED8023ND1)



NLED8023ND2



Specification

- COB LED
- Die-cast aluminum housing
- Separate constant current LED driver included
- DALI driver available

Applications

- Hotels, shopping malls, halls, theaters etc

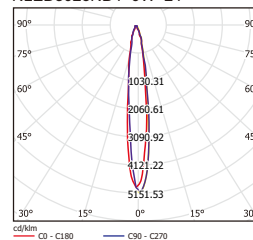
Color



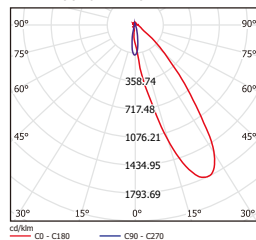
Semi-white

Photometric Data

NLED8023ND1 9W 24°



NLED8023ND2 9W 24°



Model	Lumens	Color temp.	CRI	PF
NLED8023ND1 9W	550Lm	2700K/3000K/4000K	83	0.9
NLED8023ND2 9W	330Lm	2700K/3000K/4000K	83	0.9

QTY/CTN: 24PCS CTN Dimension: 380×338×222mm(NLED023ND*)

CBD-NLD-8024NA*



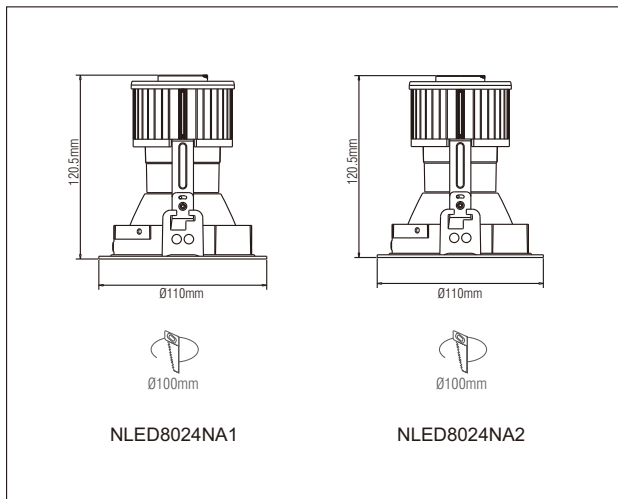
(NLED8024NA1)



NLED8024NA2



NLED8024NA3 glass cover



Specification

- COB LED
- Die-cast aluminum housing
- Separate constant current LED driver is included
- DALI driver available
- Choice of 15° or 24° beam angle

Applications

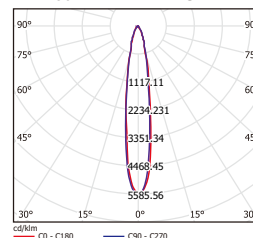
- Hotels, shopping malls, halls, theaters etc

Color

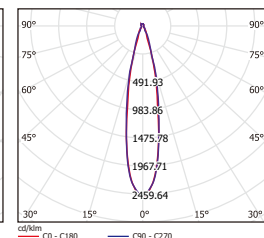


Photometric Data

NLED8024NA1 12W 15°



NLED8024NA2 12W 24°



Model	Lumens	Color temp.	CRI	PF
NLED8024NA1 12W	800Lm	2700K/3000K/4000K	83	0.9
NLED8024NA2 12W	440Lm	2700K/3000K/4000K	83	0.9
NLED8024NA3 12W	400Lm	2700K/3000K/4000K	83	0.9

QTY/CTN: 18PCS CTN Dimension: 370×370×282mm(NLED8024NA*)

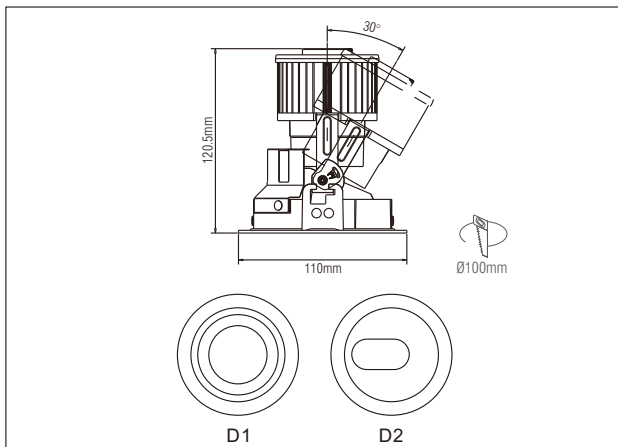
CBD-NLD-8024ND*



(NLED8024ND1)



NLED8024ND2



Specification

- COB LED
- Die-cast aluminum housing
- Separate constant current LED driver included
- DALI driver available

Application

- Hotels, shopping malls, halls, theaters etc

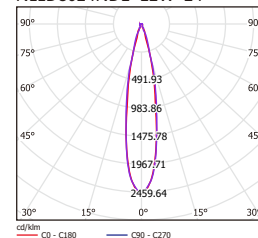
Color



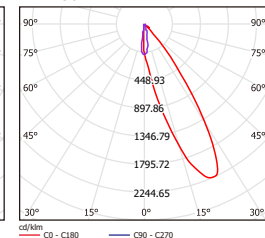
Semi-white

Photometric Data

NLED8024ND1 12W 24°



NLED8024ND2 12W 24°



Model	Lumens	Color temp.	CRI	PF
NLED8024ND1 12W	800Lm	2700K/3000K/4000K	83	0.9
NLED8024ND2 12W	440Lm	2700K/3000K/4000K	83	0.9

QTY/CTN: 18PCS CTN Dimension: 370×370×282mm(NLED8024ND*)

CBD-NLD-681



Specification

- COB LED
- Die-cast aluminum housing
- Separate constant current driver included
- Horizontal rotation 360°
- Vertical rotation 55°

Options

- 9W 24° beam angle or
- 12W 36° beam angle

Applications

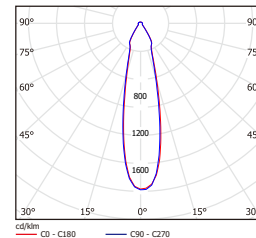
- Hotels, Showrooms, Restaurants, Cafes, Bars etc.

Color

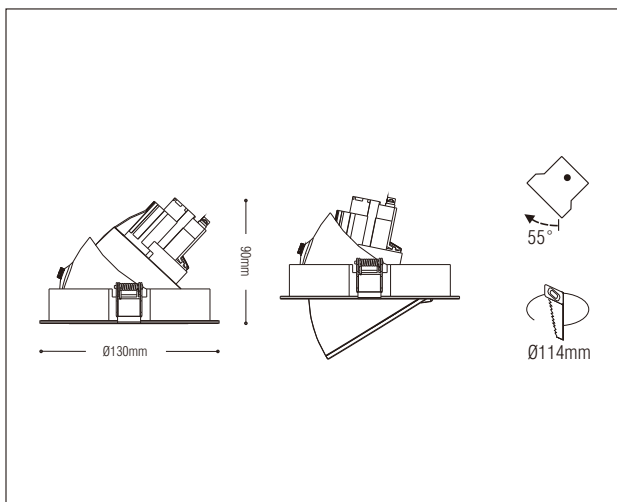
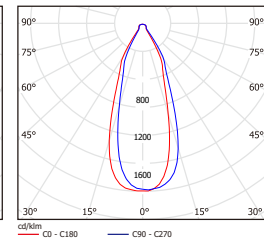


Photometric Data

NLED681 9W 24°



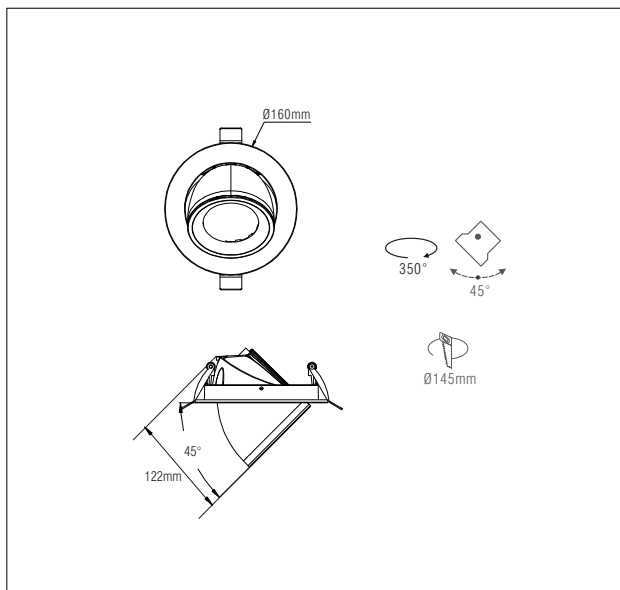
NLED681 12W 36°



Model	Lumens	Color temp.	CRI	PF
NLED681 9W	600Lm	3000K/4000K/6500K	80	0.9
NLED681 12W	850Lm	3000K/4000K/6500K	80	0.9

QTY/CTN: 24PCS CTN Dimension: 472×370×284mm(NLED681 9W)
 QTY/CTN: 12PCS CTN Dimension: 370×364×256mm(NLED681 12W)

CBD-NLD- 601



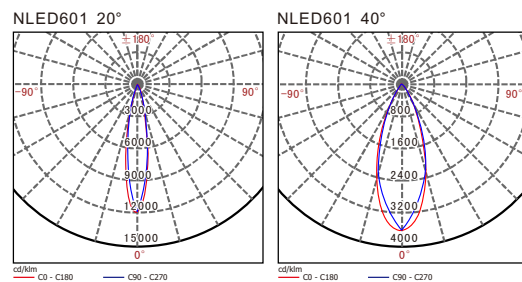
Specification

- Epistar COB LED
- Die-cast aluminum housing
- Powder coated surface treatment
- Horizontal rotation 360°
- Separate constant current LED driver included

Applications

- Hotels, shopping malls, halls, theaters etc

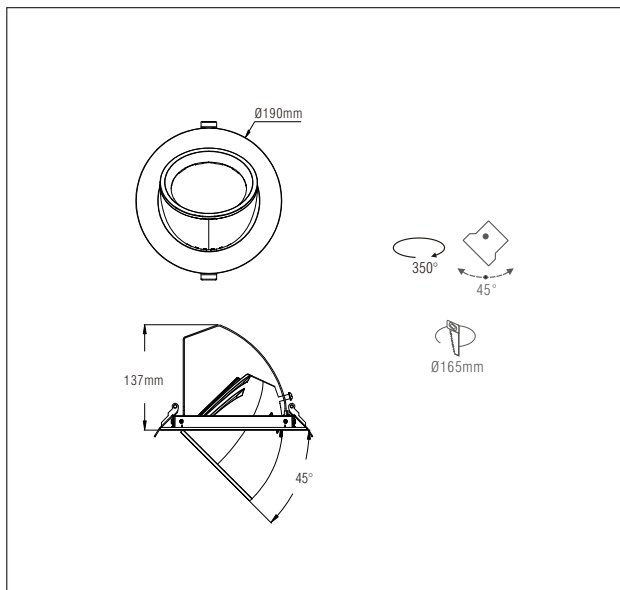
Photometric Data



Model	Lumens	Color temp.	CRI	PF
NLED601 24W	1675Lm	2700K/3000K/4000K/5000K	80	0.9

QTY/CTN: 18PCS CTN Dimension: 500x330x450mm

CBD-NLD- 602



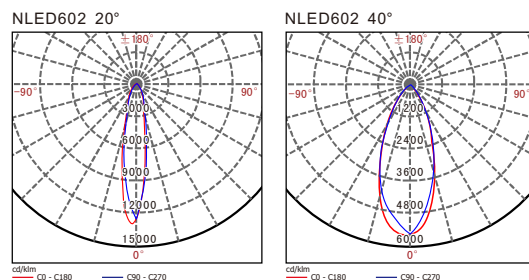
Specification

- Epistar COB LED
- Die-cast aluminum housing
- Powder coated surface treatment
- Horizontal rotation 360°
- Vertical rotation 45°
- Separate constant current LED driver included

Applications

- Hotels, shopping malls, halls, theaters etc

Photometric Data



Model	Lumens	Color temp.	CRI	PF
NLED602 40W	3325Lm	2700K/3000K/4000K/5000K	80	0.9

QTY/CTN: 8PCS CTN Dimension: 410x410x350mm

CBD-NLD-1151N



Specification

- High power LEDs
- Die-cast aluminum housing
- PC lens
- Powder coated surface treatment
- Built-in constant current LED driver

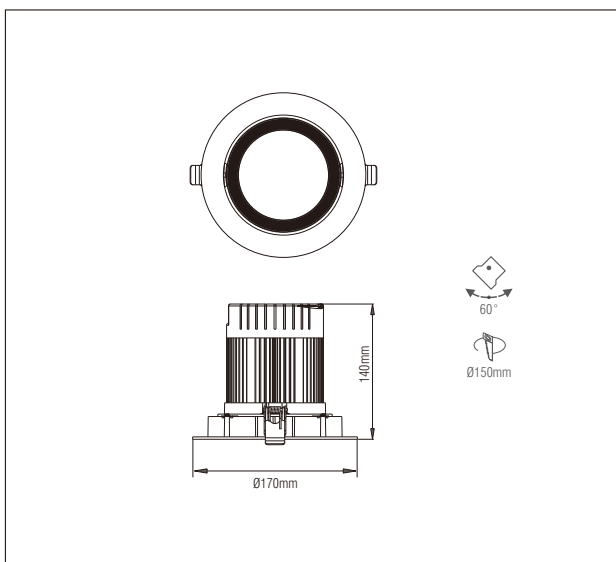
Options

- Choice of 15° or 30° beam angle

Applications

- Hotels, shopping malls, bars, shops, homes etc

Color

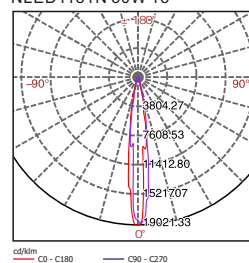


Model	Lumens	Color temp.	CRI	PF
NLED1151N 30W	1900lm	3000K/4000K/5700K	80	0.9

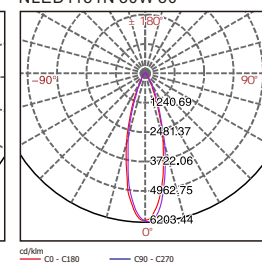
QTY/CTN: 8PCS CTN Dimension: 378x378x256mm

Photometric Data

NLED1151N 30W 15°



NLED1151N 30W 30°



CBD-NLD- 1152N



Specification

- COB LED
- Die-cast aluminum housing
- Powder coated surface treatment
- Built-in constant current LED driver

Options

- Choice of 15°, 24° and 40° beam angle

Applications

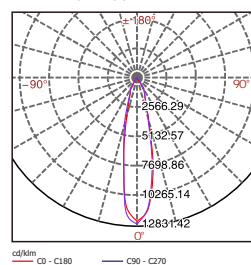
- Hotels, shopping malls, bars, shops, homes etc

Color

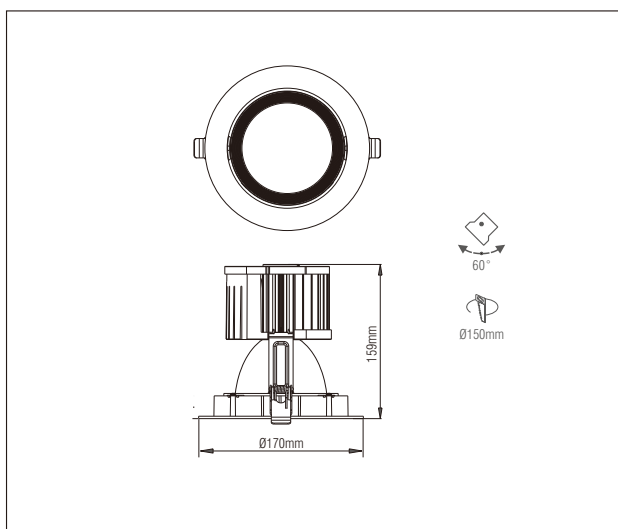
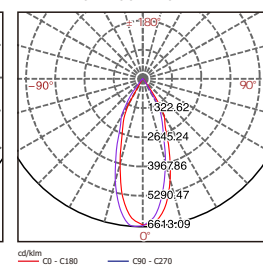


Photometric Data

NLED1152N 50W 24°



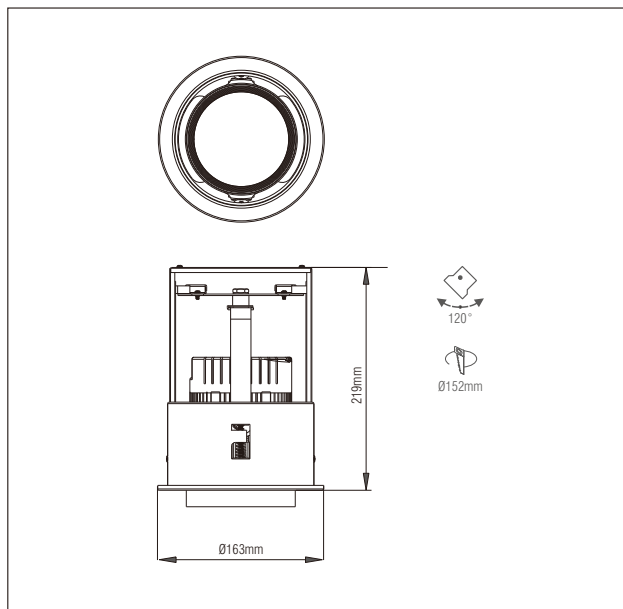
NLED1152N 50W 40°



Model	Lumens	Color temp.	CRI	PF
NLED1152NA 35W	2200lm	3000K/4000K	80	0.95
NLED1152N 50W	3200lm	3000K/4000K	80	0.95

QTY/CTN: 8PCS CTN Dimension: 378x378x368mm

CBD-NLD- 1161N



Specification

- High power LEDs
- Die-cast aluminum housing
- PC lens
- Powder coated surface treatment
- Adjustable height and beam direction
- Built - in constant current LED driver

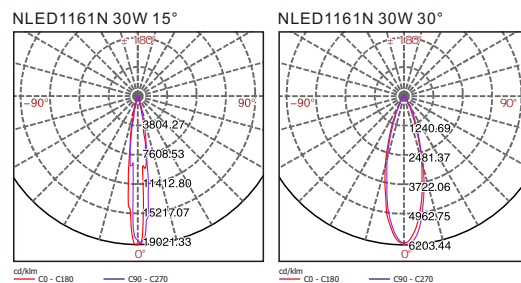
Applications

- Hotels, shopping malls, bars, shops, homes etc

Color



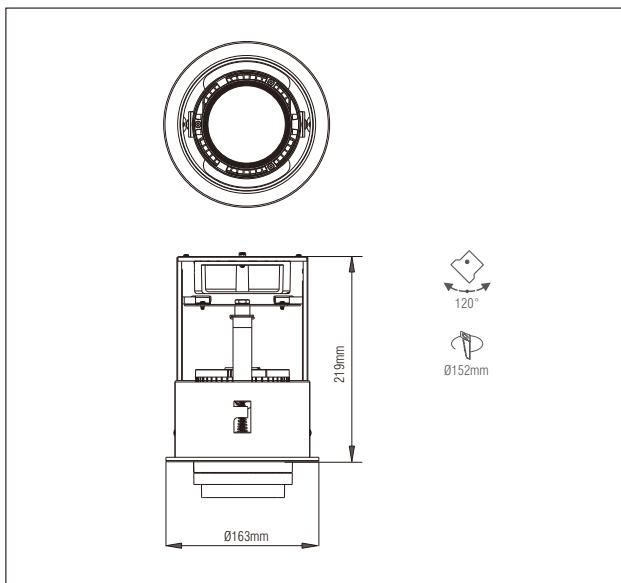
Photometric Data



Model	Lumens	Color temp.	CRI	PF
NLED1161N 30W	1900Lm	3000K/4000K/5700K	80	0.95

QTY/CTN: 6PCS CTN Dimension: 585x394x304mm

CBD-NLD- 1162N



Specification

- CREE COB LED
- Die-cast aluminum housing
- Powder coated surface treatment
- Adjustable height and beam direction
- Built - in constant current LED driver included

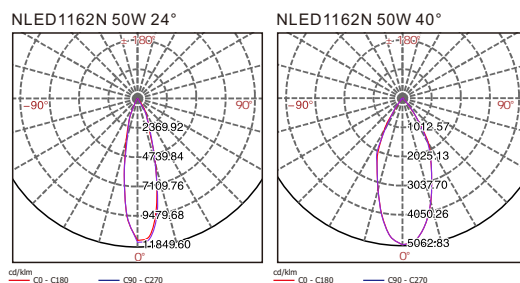
Applications

- Hotels, shopping malls, bars, shops, homes etc

Color



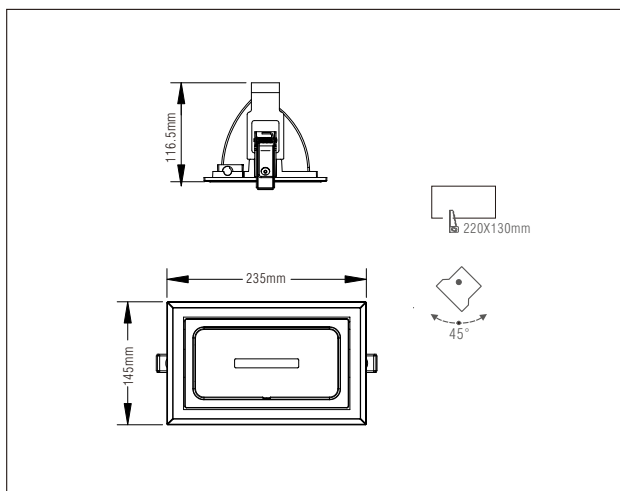
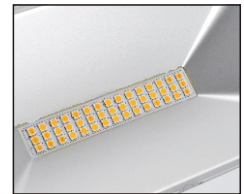
Photometric Data



Model	Lumens	Color temp.	CRI	PF
NLED1162NA 35W	2200Lm	3000K/4000K	80	0.95
NLED1162N 50W	3200Lm	3000K/4000K	80	0.95

QTY/CTN: 6PCS CTN Dimension: 585x394x295mm

CBD-NLD- 604R



Specification

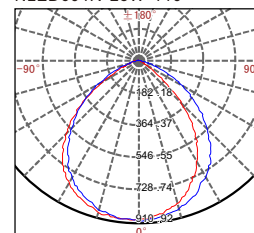
- Epistar LED
- Die-cast aluminum housing
- Glass cover
- Powder coated surface treatment
- Separate constant current LED driver included

Applications

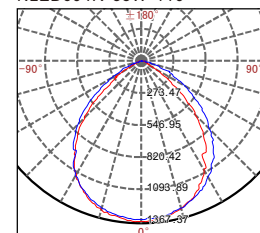
- Hotels, shopping malls, halls, theaters etc

Photometric Data

NLED604R 25W 110°



NLED604R 35W 110°



Model	Lumens	Color temp.	CRI	PF
NLED604R 25W	2150Lm	3000K/4000K/6000K	80	0.9
NLED604R 35W	3100Lm	3000K/4000K/6000K	80	0.9

QTY/CTN: 8PCS CTN Dimension: 545x320x310mm(CBD-NLD- 603R/604R)





ELITE LED SOLUTIONS

LED Downlights

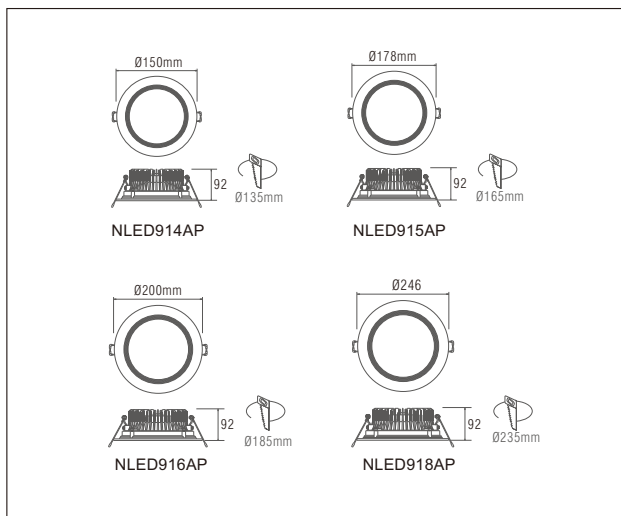
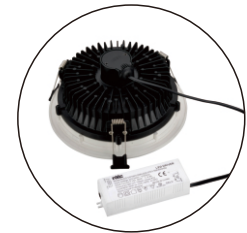


Recessed



Surface Mounted

CBD-NLD-91*AP



Specification

- High quality LEDs
- Die-cast aluminum housing & PC diffuser
- Powder coated surface treatment
- Separate constant current LED driver included

Applications

- Hotels, shopping malls, exhibition halls, theaters etc.

Color



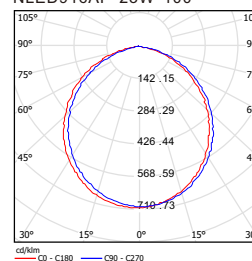
Cream white

Model	Lumens	Color temp.	CRI	PF
NLED914AP 10W	750lm	3000K/4000K/6500K	80	0.95
NLED915AP 18W	1500lm	3000K/4000K/6500K	80	0.95
NLED916AP 23W	1900lm	3000K/4000K/6500K	80	0.95
NLED918AP 32W	2600lm	3000K/4000K/6500K	80	0.95

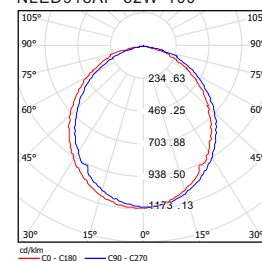
QTY/CTN: 8PCS CTN Dimension: 345x345x265mm(NLED914AP)
 QTY/CTN: 8PCS CTN Dimension: 405x405x265mm(NLED915AP)
 QTY/CTN: 6PCS CTN Dimension: 465x240x385mm(NLED916AP)
 QTY/CTN: 4PCS CTN Dimension: 555x285x365mm(NLED918AP)

Photometric Data

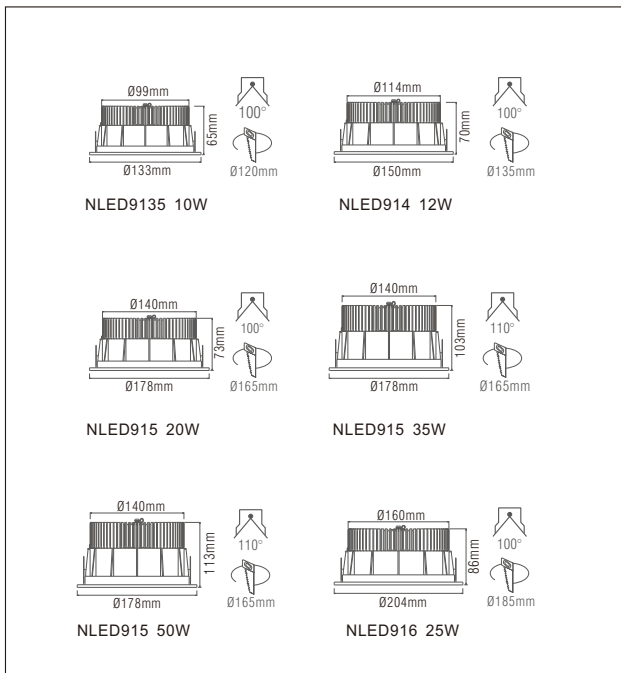
NLED916AP 23W 100°



NLED918AP 32W 100°



CBD-NLD-91*



Model	Lumens	Color temp.	CRI	PF
NLED9135 10W	500lm	3000K/4000K/6500K	80	0.9
NLED914 12W	700lm	3000K/4000K/6500K	80	0.9
NLED915 20W	1100lm	3000K/4000K/6500K	80	0.9
NLED915 35W	2700lm	3000K/4000K/5700K	80	0.9
NLED915 50W	3850lm	3000K/4000K/5700K	80	0.9
NLED916 25W	1450lm	3000K/4000K/5700K	80	0.9

QTY/CTN: 12PCS CTN Dimension: 494x383x188mm(NLED9135 10W)
 QTY/CTN: 12PCS CTN Dimension: 539x417x198mm(NLED914 12W)
 QTY/CTN: 8PCS CTN Dimension: 509x425x218mm(NLED915 20W)
 QTY/CTN: 12PCS CTN Dimension: 585x435x215mm(NLED915 35W)
 QTY/CTN: 12PCS CTN Dimension: 585x435x255mm(NLED915 50W)
 QTY/CTN: 8PCS CTN Dimension: 569x485x234mm(NLED916 25W)

Specification

- High quality LEDs
- Die-cast aluminum housing & PC diffuser
- Powder coated surface treatment
- Separate constant current LED driver included

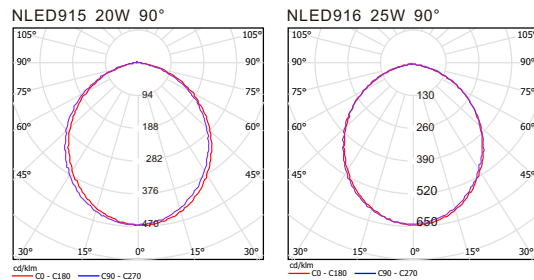
Applications

- Entertainments, leisures, Retails, offices, domestics

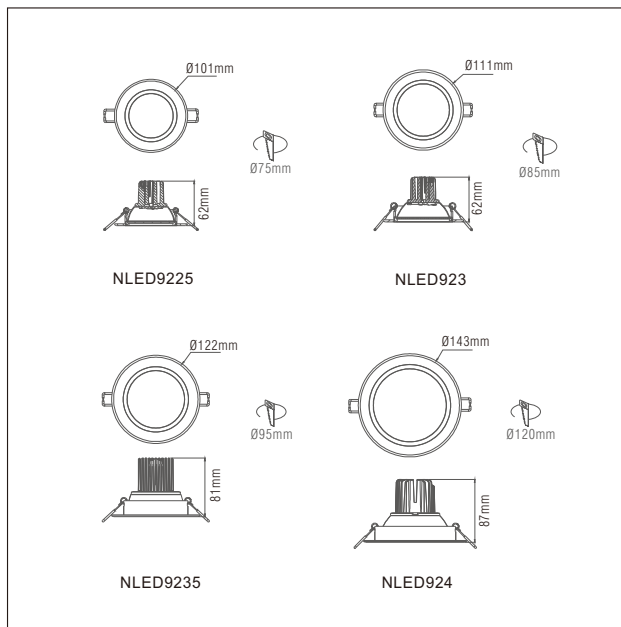
Color



Photometric Data



CBD-NLD-92*N



Specification

- High quality LEDs
- Die-cast aluminum housing & PC diffuser
- Anodized surface treatment
- Separate constant current LED driver included

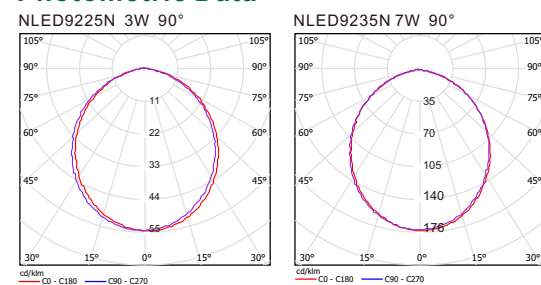
Applications

- Hotels, shops, homes, offices etc.

Color



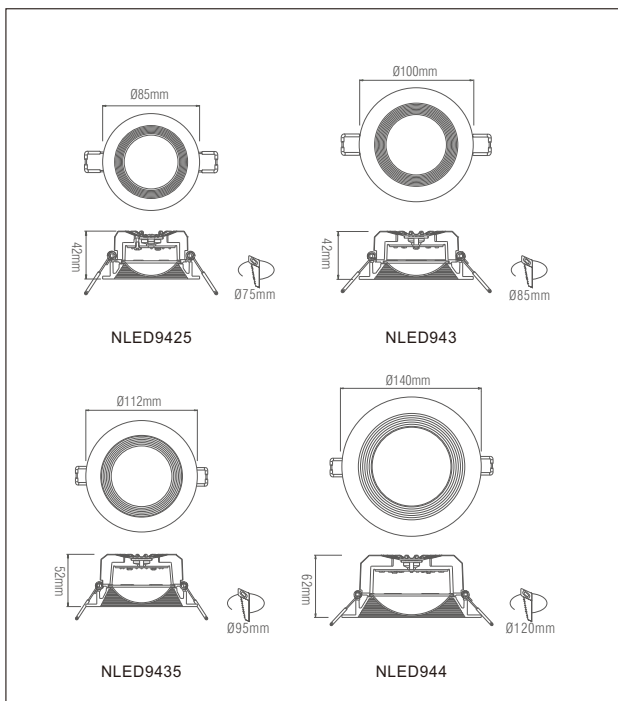
Photometric Data



Model	Lumens	Color temp.	CRI	PF
NLED9225N 3W	180lm	3000K/4000K/5700K	80	0.5
NLED923N 5W	300lm	3000K/4000K/5700K	80	0.5
NLED9235N 7W	420lm	3000K/4000K/5700K	80	0.8
NLED924N 9W	540lm	3000K/4000K/5700K	80	0.8

QTY/CTN: 36PCS CTN Dimension: 336x334x332mm(NLED9225N)
 QTY/CTN: 36PCS CTN Dimension: 366x346x340mm(NLED923N)
 QTY/CTN: 36PCS CTN Dimension: 400x398x360mm(NLED9235N)
 QTY/CTN: 36PCS CTN Dimension: 460x458x392mm(NLED924N)

CBD-NLD-94*



Specification

- High quality LEDs
- Die-cast aluminum housing & PC diffuser
- Separate constant current LED driver included

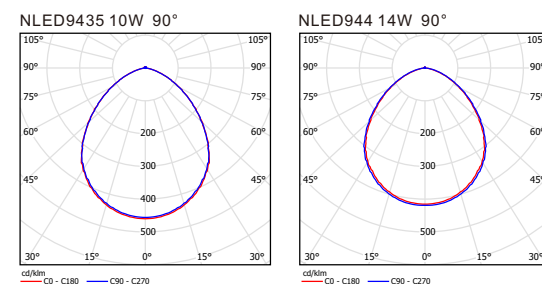
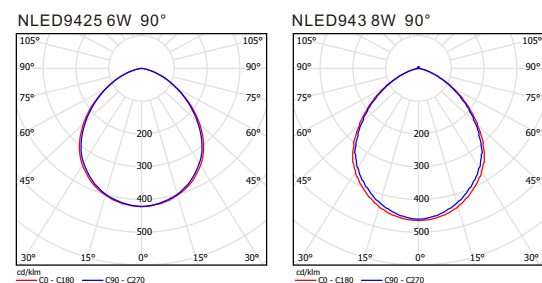
Applications

- Hotels, shops, homes, offices etc.

Color



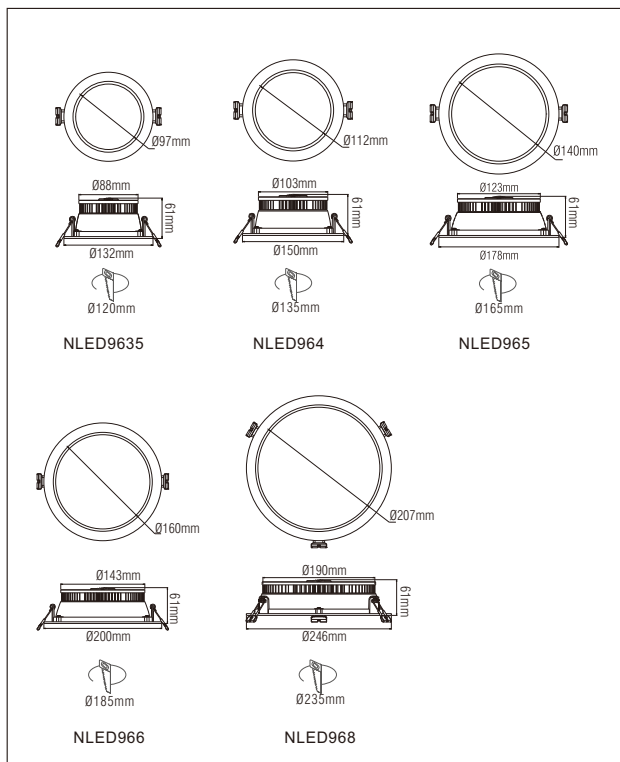
Photometric Data



Model	Lumens	Color temp.	CRI	PF
NLED9425 6W	380lm	3000K/4000K/6500K	80	0.8
NLED943 8W	560lm	3000K/4000K/6500K	80	0.8
NLED9435 10W	660lm	3000K/4000K/6500K	80	0.8
NLED944 14W	940lm	3000K/4000K/6500K	80	0.8

QTY/CTN: 36PCS CTN Dimension: 342x305x288mm(NLED9425)
 QTY/CTN: 36PCS CTN Dimension: 375x335x275mm(NLED943)
 QTY/CTN: 36PCS CTN Dimension: 408x372x312mm(NLED9435)
 QTY/CTN: 36PCS CTN Dimension: 498x455x340mm(NLED944)

CBD-NLD-96*



Specification

- High quality LEDs
- Die-cast aluminum housing & PC diffuser
- Powder coated surface treatment
- Separate constant current LED driver included

Applications

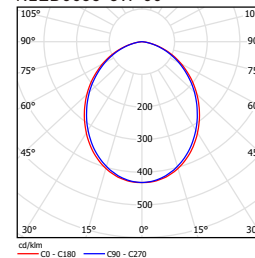
- Hotels, shopping malls, exhibition halls, theaters etc.

Color

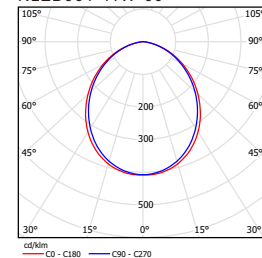


Photometric Data

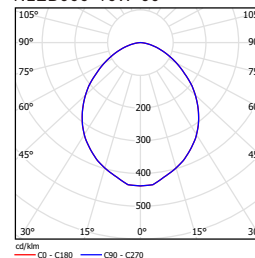
NLED9635 8W 90°



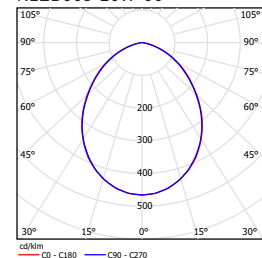
NLED964 11W 90°



NLED966 16W 90°



NLED968 20W 90°



Model	Lumens	Color temp.	CRI	PF
NLED9635 8W	500lm	3000K/4000K/6500K	80	0.9
NLED964 11W	650lm	3000K/4000K/6500K	80	0.9
NLED965 14W	820lm	3000K/4000K/6500K	80	0.9
NLED966 16W	1000lm	3000K/4000K/6500K	80	0.9
NLED968 20W	1250lm	3000K/4000K/6500K	80	0.9

QTY/CTN: 24PCS CTN Dimension: 432x306x344mm(NLED9635)
 QTY/CTN: 12PCS CTN Dimension: 392x335x260mm(NLED964)
 QTY/CTN: 12PCS CTN Dimension: 455x392x270mm(NLED965)
 QTY/CTN: 12PCS CTN Dimension: 498x434x270mm(NLED966)
 QTY/CTN: 12PCS CTN Dimension: 532x308x270mm(NLED968)

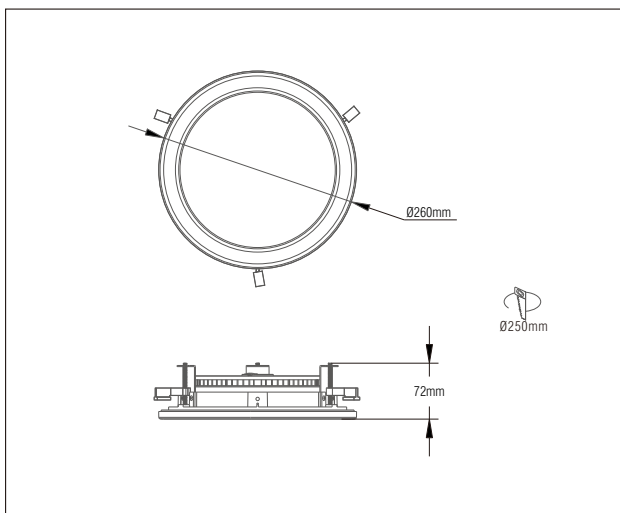
CBD-NLD-9610



**IP
20**



**IP
65**



Specification

- High quality LEDs
- Die-cast aluminum housing
- Die-cast aluminum twist-and-lock front bezel for IP20
- Die-cast aluminum screw fixed front bezel for IP65
- Frosted PC diffuser
- Separate constant current LED driver included

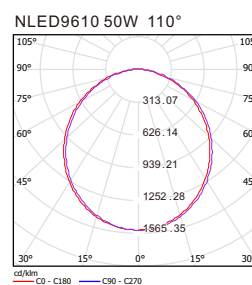
Applications

- Lobbies, shopping malls, corridors, exhibition halls, under-canopy lighting, other locations with high ceilings

Color



Photometric Data



Model	Lumens	Color temp.	CRI	IP	PF
NLED9610 50W	4250lm	3000K/4000K/6500K	80	20	0.9
NLED9610 50W	4250lm	3000K/4000K/6500K	80	65	0.9

QTY/CTN: 8PCS CTN Dimension: 610x345x353mm

CBD-NLD-98*



Specification

- High quality LEDs
- Die-cast aluminum heat sink & PC diffuser
- Separate constant current LED driver included

Applications

- Hotels, shops, homes, offices etc.

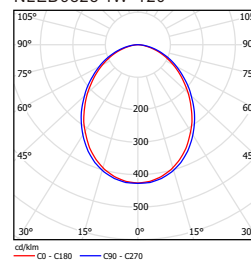
Color



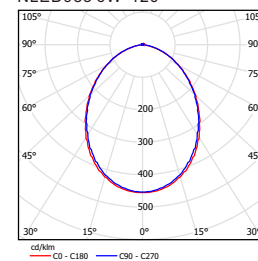
Cream White

Photometric Data

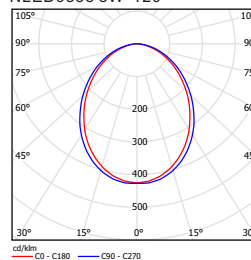
NLED9825 4W 120°



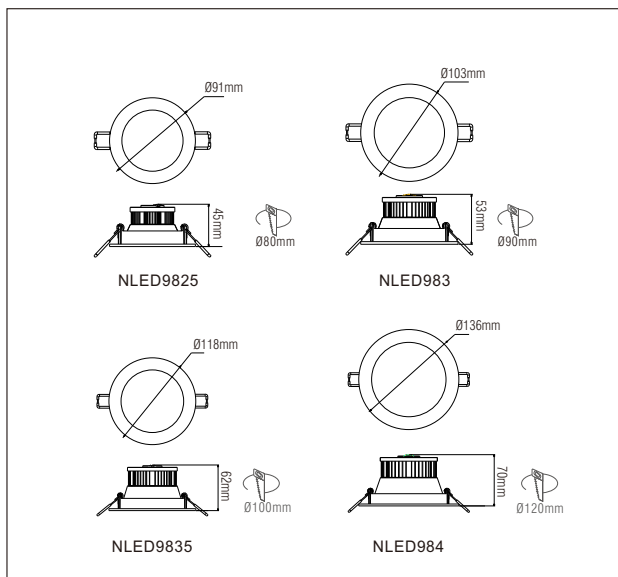
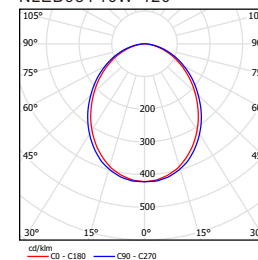
NLED983 6W 120°



NLED9835 8W 120°



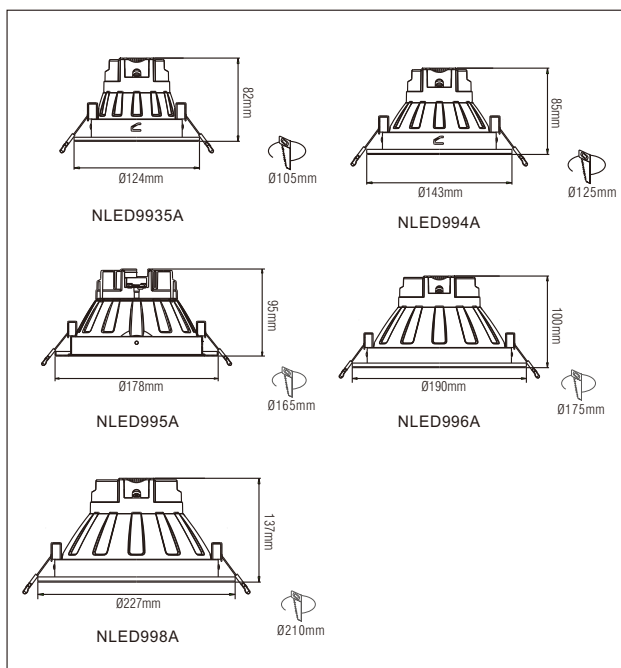
NLED984 10W 120°



Model	Lumens	Color temp.	CRI	PF
NLED9825 4W	240lm	3000K/4000K/6500K	75	0.7
NLED983 6W	350lm	3000K/4000K/6500K	75	0.8
NLED9835 8W	480lm	3000K/4000K/6500K	75	0.8
NLED984 10W	650lm	3000K/4000K/6500K	75	0.9

QTY/CTN: 36PCS CTN Dimension: 364x321x286mm(NLED9825)
 QTY/CTN: 36PCS CTN Dimension: 372x358x322mm(NLED983)
 QTY/CTN: 36PCS CTN Dimension: 408x402x338mm(NLED9835)
 QTY/CTN: 36PCS CTN Dimension: 456x456x374mm(NLED984)

CBD-NLD-99*



Specification

- High quality LEDs
- Die-cast aluminum housing & PC diffuser
- Powder coated surface treatment
- Built-in constant current LED driver

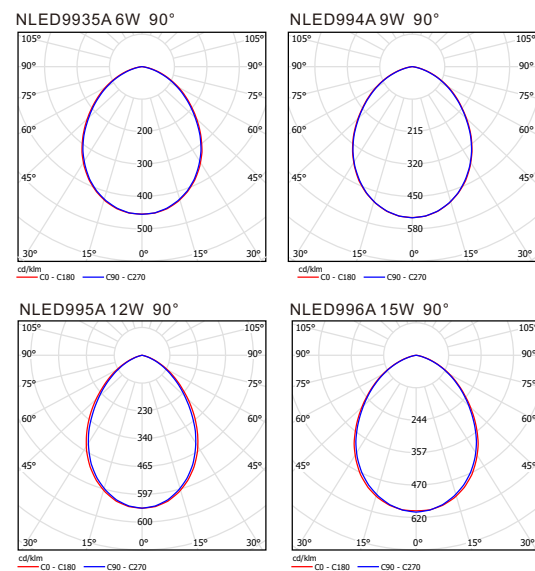
Applications

- Hotels, shopping malls, exhibition halls, theaters, homes etc.

Color



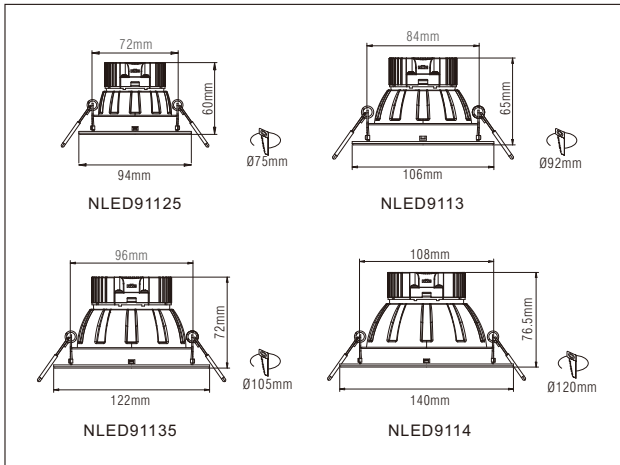
Photometric Data



Model	Lumens	Color temp.	CRI	PF
NLED9935A 6W	420lm	3000K/4000K/6500K	80	0.8
NLED994A 9W	700lm	3000K/4000K/6500K	80	0.8
NLED995A 12W	900lm	3000K/4000K/6500K	75	0.8
NLED996A 15W	1150lm	3000K/4000K/6500K	75	0.8
NLED998A 20W	1600lm	3000K/4000K/6500K	75	0.8

QTY/CTN: 36PCS CTN Dimension: 565x425x328mm(NLED9935A)
 QTY/CTN: 36PCS CTN Dimension: 650x490x335mm(NLED994A)
 QTY/CTN: 18PCS CTN Dimension: 618x415x365mm(NLED995A)
 QTY/CTN: 18PCS CTN Dimension: 665x448x380mm(NLED996A)
 QTY/CTN: 8PCS CTN Dimension: 520x520x345mm(NLED998A)

CBD-NLD-911*



Specification

- High quality LEDs
- Die-cast aluminum housing & PC diffuser
- Powder coated surface treatment
- Built-in constant current LED driver

Applications

- Hotels, shops, homes, offices etc.

Color

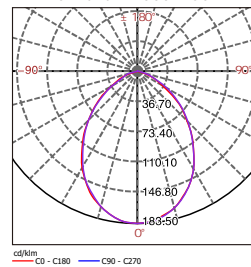


Model	Lumens	Color temp.	CRI	PF
NLED91125 3W	220Lm	3000K/4000K/5700K	80	0.5
NLED9113 6W	420Lm	3000K/4000K/5700K	80	0.5
NLED91135 9W	630Lm	3000K/4000K/5700K	80	0.7
NLED9114 12W	900Lm	3000K/4000K/5700K	80	0.7

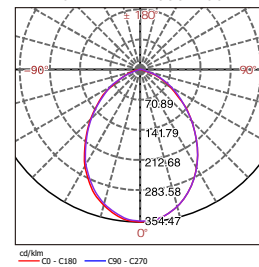
QTY/CTN: 36PCS CTN Dimension: 432x329x285mm(NLED91125)
 QTY/CTN: 36PCS CTN Dimension: 480x365x300mm(NLED9113)
 QTY/CTN: 36PCS CTN Dimension: 540x410x318mm(NLED91135)
 QTY/CTN: 36PCS CTN Dimension: 612x464x330mm(NLED9114)

Photometric Data

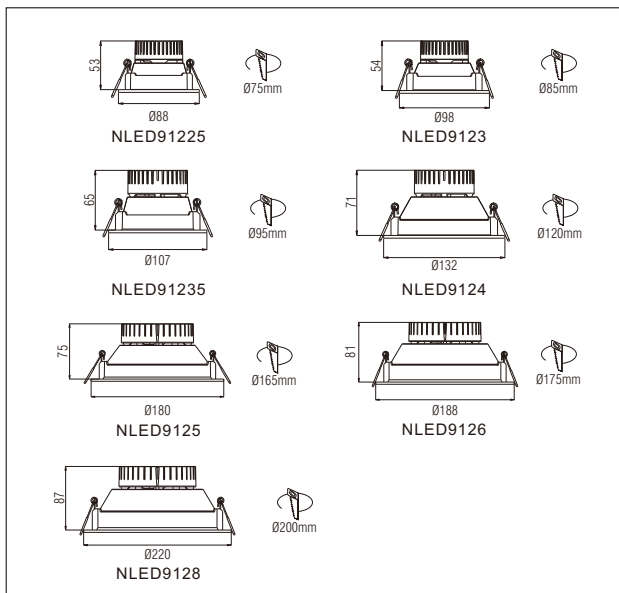
NLED9113 6W 4000K 90°



NLED9114 12W 4000K 90°



CBD-NLD-912*



Specification

- High quality LEDs
- Aluminum + polycarbonate housing
- Frosted PC diffuser
- Built - in constant-current LED driver

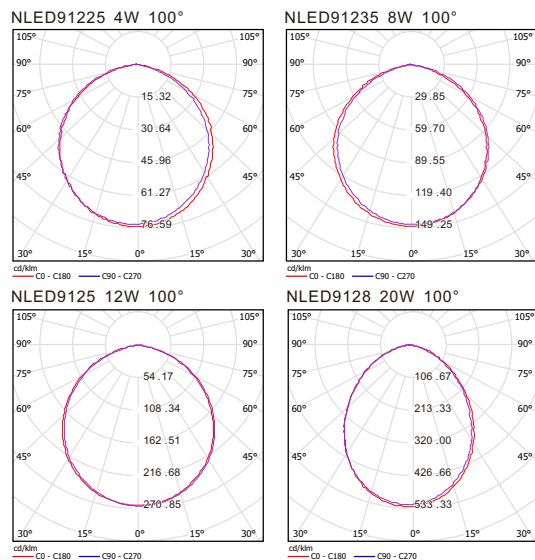
Applications

- Shopping malls, meeting rooms, reception areas, offices
- retailers, shops

Color



Photometric Data



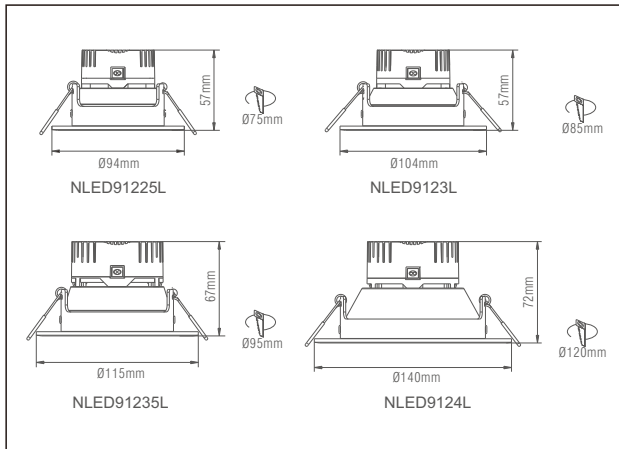
Model	Lumens	Color temp.	CRI	PF
NLED91225 4W	250lm	3000K/4000K/5700K	80	0.5
NLED9123 6W	360lm	3000K/4000K/5700K	80	0.8
NLED91235 8W	480lm	3000K/4000K/5700K	80	0.8
NLED9124 8W	480lm	3000K/4000K/5700K	80	0.8
NLED9124 10W	600lm	3000K/4000K/5700K	80	0.9
NLED9125 12W	720lm	3000K/4000K/5700K	80	0.9
NLED9126 15W	850lm	3000K/4000K/5700K	80	0.8
NLED9128 20W	1200lm	3000K/4000K/5700K	80	0.85

QTY/CTN: 48PCS CTN Dimension: 392x297x310mm(NLED91225)
 QTY/CTN: 48PCS CTN Dimension: 432x327x314mm(NLED9123)
 QTY/CTN: 48PCS CTN Dimension: 468x354x350mm(NLED91235)
 QTY/CTN: 24PCS CTN Dimension: 429x292x370mm(NLED9124)
 QTY/CTN: 18PCS CTN Dimension: 573x385x295mm(NLED9125)
 QTY/CTN: 18PCS CTN Dimension: 597x400x313mm(NLED9126)
 QTY/CTN: 18PCS CTN Dimension: 693x465x320mm(NLED9128)

CBD-NLD-912*L



new



Specification

- High quality LEDs
- Aluminum + polycarbonate housing
- Frosted PC diffuser
- Built - in constant-current LED driver

Applications

- Shopping malls, meeting rooms, reception areas, offices
- retailers, shops

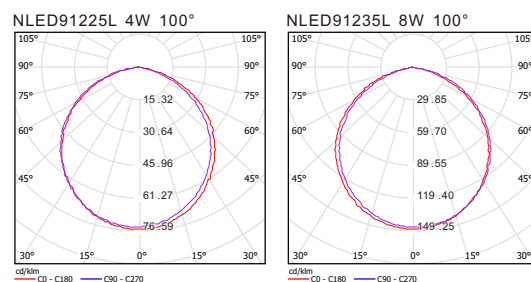
Color



Model	Lumens	Color temp.	CRI	PF
NLED91225L 4W	220Lm	3000K/4000K/5700K	80	0.5
NLED9123L 6W	330Lm	3000K/4000K/5700K	80	0.5
NLED91235L 8W	450Lm	3000K/4000K/5700K	80	0.7
NLED9124L 10W	550Lm	3000K/4000K/5700K	80	0.7

QTY/CTN: 48PCS CTN Dimension: 410x310x302mm(NLED91225L)
 QTY/CTN: 48PCS CTN Dimension: 450x340x302mm(NLED9123L)
 QTY/CTN: 48PCS CTN Dimension: 500x378x335mm(NLED91235L)
 QTY/CTN: 24PCS CTN Dimension: 453x305x350mm(NLED9124L)

Photometric Data

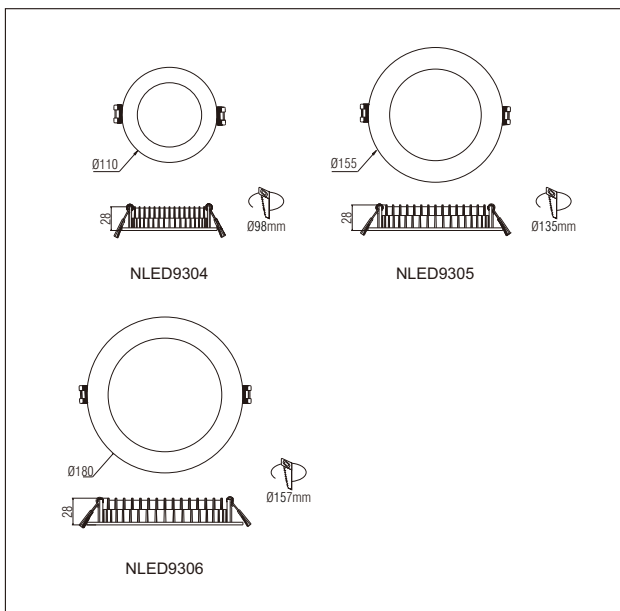


ELITE LED SOLUTIONS

LED Downlights



CBD-NLD-930*



Specification

- High quality LEDs
- Die-cast aluminum housing & PMMA diffuser
- Powder coated surface treatment
- Separate constant current LED driver included

Applications

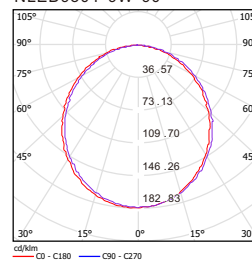
- Hotels, shopping malls, exhibition halls, theaters etc.

Color

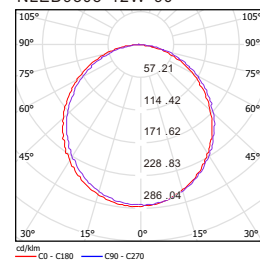


Photometric Data

NLED9304 9W 90°



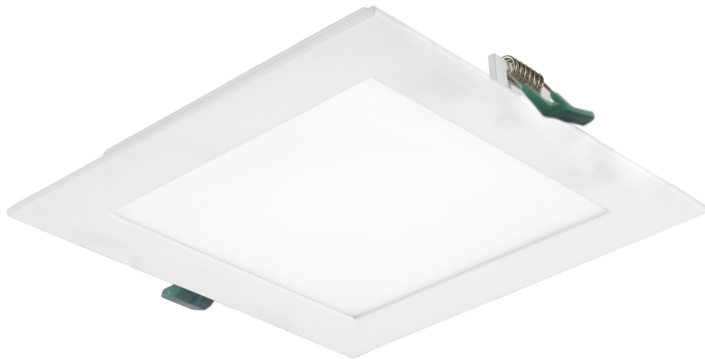
NLED9305 12W 90°



Model	Lumens	Color temp.	CRI	PF
NLED9304 9W	630lm	3000K/4000K/6500K	75	0.9
NLED9305 12W	840lm	3000K/4000K/6500K	75	0.9
NLED9306 20W	1400lm	3000K/4000K/6500K	75	0.9

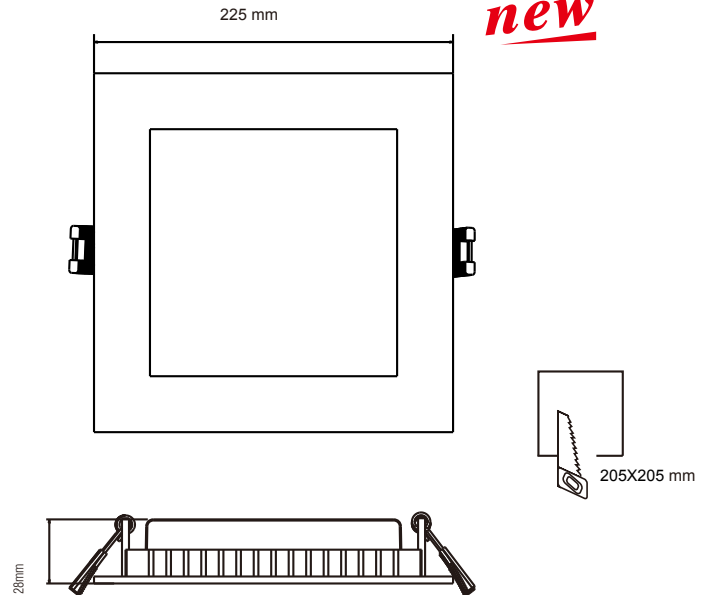
QTY/CTN: 40PCS CTN Dimension: 540x255x305mm(NLED9304)
 QTY/CTN: 30PCS CTN Dimension: 545x255x395mm(NLED9305)
 QTY/CTN: 30PCS CTN Dimension: 625x255x445mm(NLED9306)

CBD-OSU-930*R

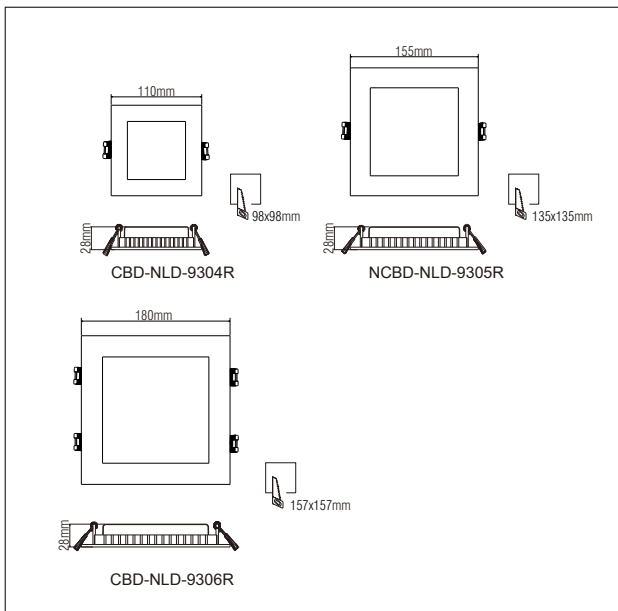


CBD-OSU-225-18W-SP*

new



CBD-OSU-225-18W-SP



Specification

- High quality LEDs
- Die-cast aluminum housing & PMMA diffuser
- Powder coated surface treatment
- Separate constant current LED driver included

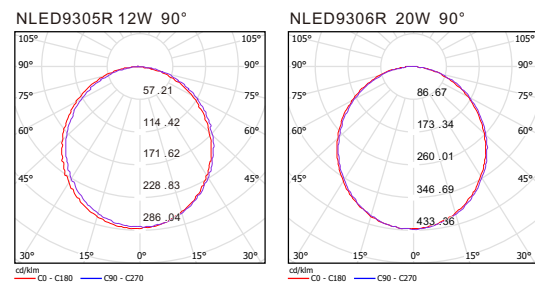
Applications

- Hotels, shopping malls, exhibition halls, theaters etc.

Color



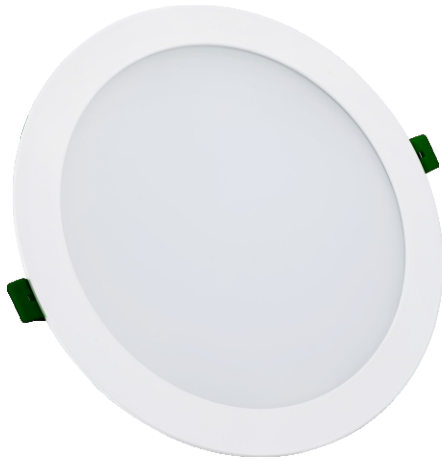
Photometric Data



Model	Lumens	Color temp.	CRI	PF
CBD-NLD-9304R 9W	630lm	3000K/4000K/6500K	75	0.9
CBD-NLD-9305R 12W	840lm	3000K/4000K/6500K	75	0.9
CBD-NLD-9306R 20W	1400lm	3000K/4000K/6500K	75	0.9

QTY/CTN: 40PCS CTN Dimension: 540x255x305mm(CBD-NLD-9304R)
 QTY/CTN: 30PCS CTN Dimension: 545x255x395mm(CBD-NLD-9305R)
 QTY/CTN: 30PCS CTN Dimension: 625x255x445mm(CBD-NLD-9306R)

CBD-OSA-*

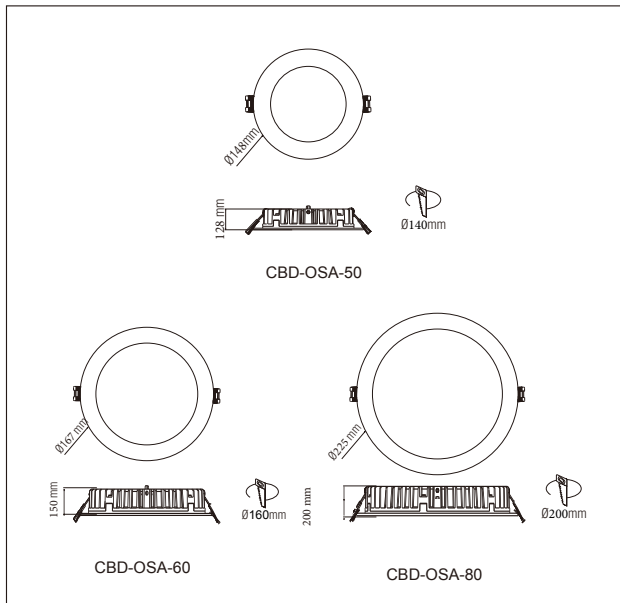


IP 20

new

Specification

- High quality LEDs
- UV stable PC diffuser
- Separate constant current LED driver included



Model	Lumens	Color temp.	CRI	IP	PF
CBD-OSA-50 9W	850lm	3000K/4000K/6500K	80	65	0.8
CBD-OSA-60 12W	1050lm	3000K/4000K/6500K	80	65	0.8
CBD-OSA-80 18W	1400lm	3000K/4000K/6500K	80	40	0.9
CBD-OSA-100 25W	2100lm	3000K/4000K/6500K	80	40	0.9
CBD-OSA-120 30W	2700lm	3000K/4000K/6500K	80	40	0.9



CBD-NGSMD-01-*

- *-24W9/E (24W)
- *-9W4/E (9W)
- *-20W6/E (20W)



Specification

- RECESSED SMD SAMSUNG LED downlight
- UV stable PC diffuser
- Separate constant current LED CE driver included, D: 195 X H: 56 MM,
- With emergency kit

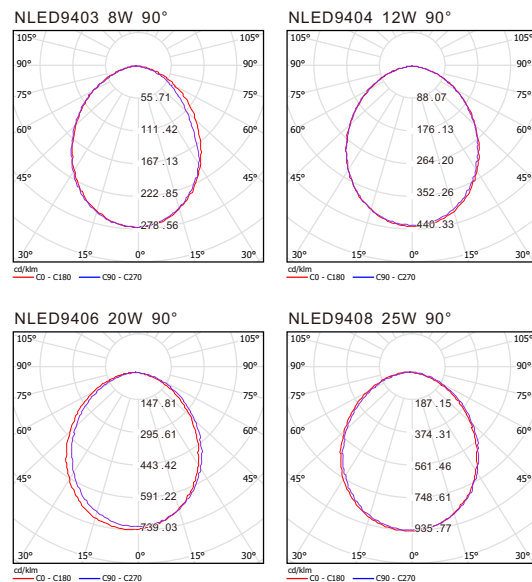
Applications

- Commercial corridors entrances, lobbies, residential hallways, restaurants, exhibition halls

Color



Photometric Data



CBD-NLD-950*



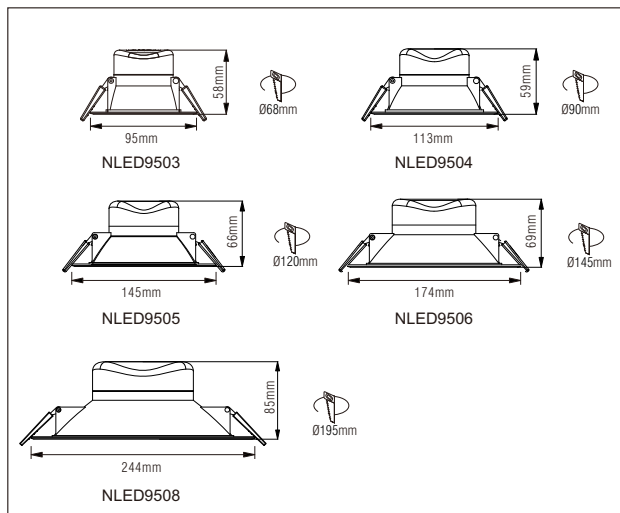
3000K



4000K



6000K



Specification

- High quality LEDs
- Plastic coated aluminum housing
- Frosted PC diffuser
- Built - in constant current LED driver
- IP44

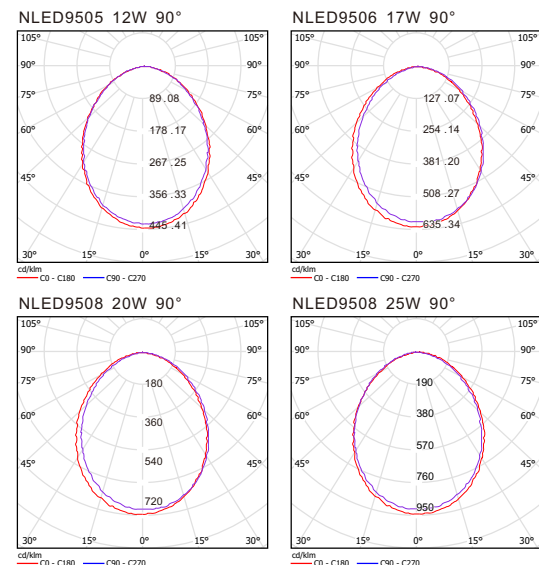
Applications

- Shopping malls, meeting rooms, reception areas, bathrooms, toilets, corridors, under canopy applications

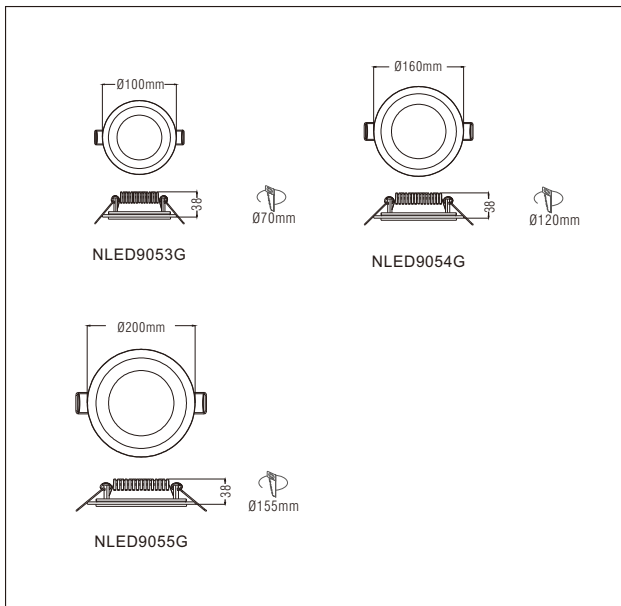
Model	Lumens	Color temp.	CRI	PF
NLED9503 5W	425lm	3000K/4000K/6000K	85	0.5
NLED9503 7W	590lm	3000K/4000K/6000K	85	0.5
NLED9504 8W	720lm	3000K/4000K/6000K	85	0.85
NLED9504 10W	900lm	3000K/4000K/6000K	85	0.85
NLED9505 12W	1080lm	3000K/4000K/6000K	85	0.85
NLED9505 14W	1260lm	3000K/4000K/6000K	85	0.9
NLED9506 14W	1260lm	3000K/4000K/6000K	85	0.9
NLED9506 17W	1530lm	3000K/4000K/6000K	85	0.9
NLED9508 20W	1880lm	3000K/4000K/6000K	85	0.9
NLED9508 25W	2450lm	3000K/4000K/6000K	85	0.9

QTY/CTN: 120PCS CTN Dimension: 620x415x360mm(NLED9503)
 QTY/CTN: 80PCS CTN Dimension: 610x490x310mm(NLED9504)
 QTY/CTN: 60PCS CTN Dimension: 620x470x390mm(NLED9505)
 QTY/CTN: 40PCS CTN Dimension: 710x370x400mm(NLED9506)
 QTY/CTN: 20PCS CTN Dimension: 525x525x510mm(NLED9508)

Photometric Data



CBD-NLD-905*G



Specification

- High quality LEDs
- Die-cast aluminum housing
- Frosted PC inner diffuser with clear glass outer cover
- Powder coated surface treatment
- Separate constant current LED driver included

Applications

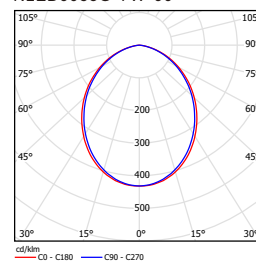
- Hotels, shopping malls, exhibition halls, theaters, homes etc.

Color

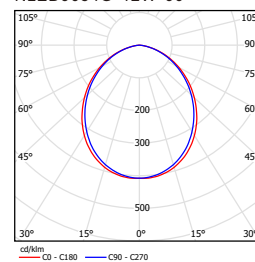


Photometric Data

NLED9053G 7W 90°



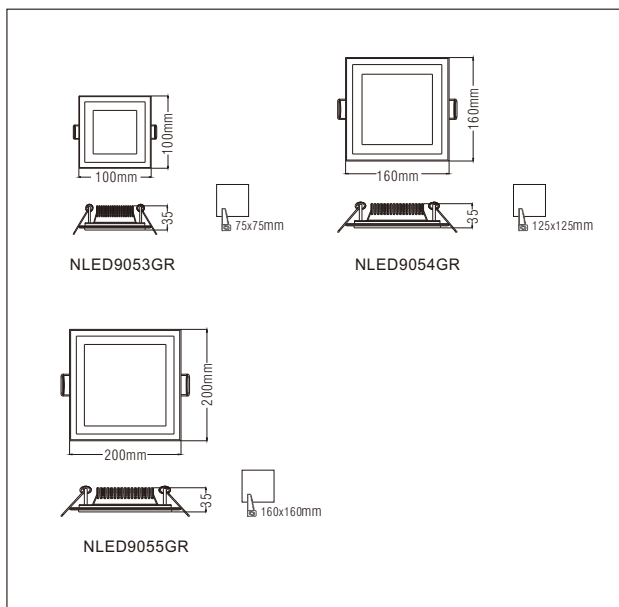
NLED9054G 12W 90°



Model	Lumens	Color temp.	CRI	PF
NLED9053G 7W	400lm	3000K/4000K/6000K	75	0.85
NLED9054G 12W	600lm	3000K/4000K/6000K	75	0.85
NLED9055G 20W	1200lm	3000K/4000K/6000K	75	0.85

QTY/CTN: 48PCS CTN Dimension: 500x380x220mm(NLED9053G)
 QTY/CTN: 24PCS CTN Dimension: 560x380x220mm(NLED9054G)
 QTY/CTN: 16PCS CTN Dimension: 460x460x220mm(NLED9055G)

CBD-NLD-905*GR



Specification

- High quality LEDs
- Die-cast aluminum housing
- Frosted PC inner diffuser with clear glass outer cover
- Powder coated surface treatment
- Separate constant current LED driver included

Applications

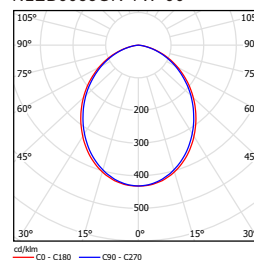
- Hotels, shopping malls, exhibition halls, theaters, homes etc.

Color

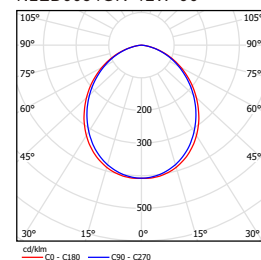


Photometric Data

NLED9053GR 7W 90°



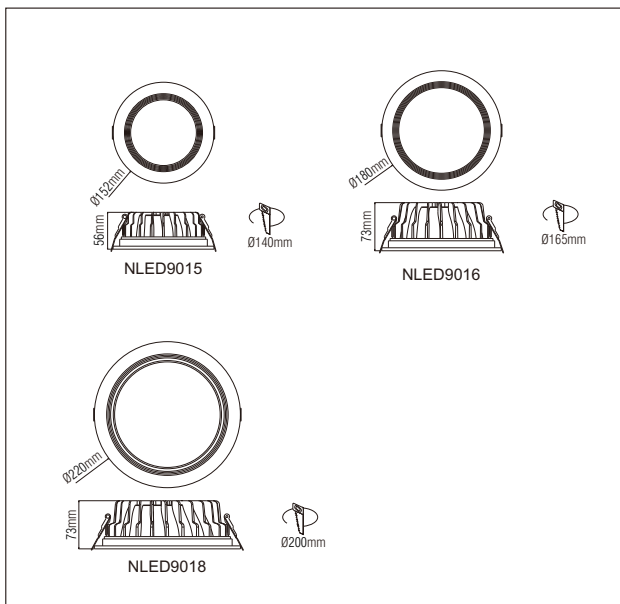
NLED9054GR 12W 90°



Model	Lumens	Color temp.	CRI	PF
NLED9053GR 7W	450lm	6000K/4000K/3000K	75	0.85
NLED9054GR 12W	650lm	6000K/4000K/3000K	75	0.85
NLED9055GR 20W	1200lm	6000K/4000K/3000K	75	0.85

QTY/CTN: 48PCS CTN Dimension: 500x380x220mm(NLED9053GR)
 QTY/CTN: 24PCS CTN Dimension: 560x380x220mm(NLED9054GR)
 QTY/CTN: 16PCS CTN Dimension: 460x460x220mm(NLED9055GR)

CBD-NLD-901*



Specification

- High quality LEDs
- Die-cast aluminum housing
- Clear tempered glass cover
- Separate constant current LED driver included

Applications

- Shopping malls, office buildings, exhibition halls

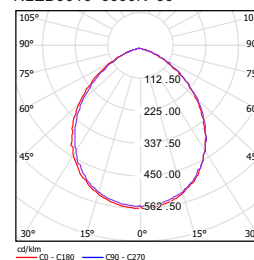
Color



Cream White

Photometric Data

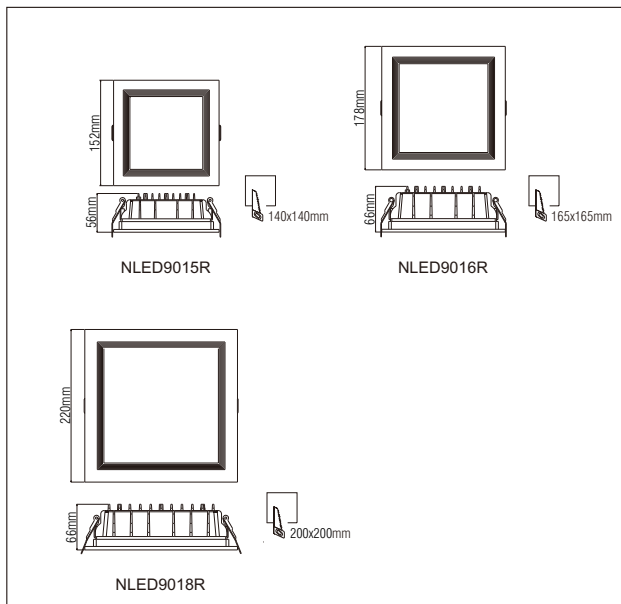
NLED9016 6000K 90°



Model	Lumens	Color temp.	CRI	PF
NLED9015 10W	750lm	3000K/4000K/6500K	80	0.85
NLED9016 20W	1400lm	3000K/4000K/6500K	80	0.85
NLED9018 30W	2100lm	3000K/4000K/6500K	80	0.85

QTY/CTN: 24PCS CTN Dimension: 545x370x340mm(NLED9105)
 QTY/CTN: 12PCS CTN Dimension: 575x410x220mm(NLED9106)
 QTY/CTN: 8PCS CTN Dimension: 530x510x220mm(NLED9108)

CBD-NLD-901*R



Specification

- High quality LEDs
- Die-cast aluminum housing
- Clear tempered glass cover
- Separate constant current LED driver included

Applications

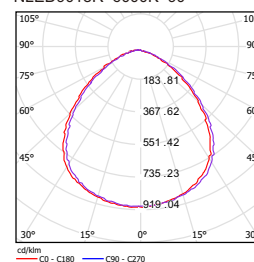
- Shopping malls, office buildings, exhibition halls

Color



Photometric Data

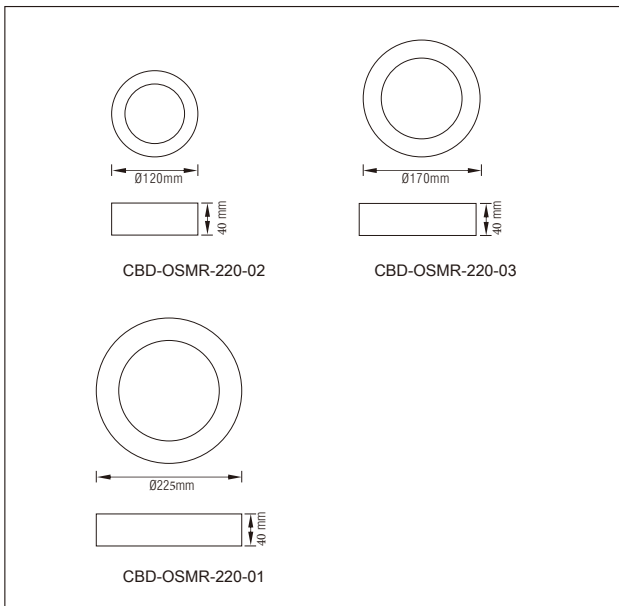
NLED9018R 6000K 90°



Model	Lumens	Color temp.	CRI	PF
NLED9015R 10W	750lm	3000K/4000K/6500K	80	0.85
NLED9016R 20W	1400lm	3000K/4000K/6500K	80	0.85
NLED9018R 30W	2100lm	3000K/4000K/6500K	80	0.85

QTY/CTN: 24PCS CTN Dimension: 545x370x340mm(NLED9105R)
 QTY/CTN: 12PCS CTN Dimension: 575x410x220mm(NLED9106R)
 QTY/CTN: 8PCS CTN Dimension: 530x510x220mm(NLED9108R)

CBD-OSMR-*



Specification

- High quality LEDs
- Aluminum body
- Opal PMMA diffuser
- Built-in constant current LED driver

Applications

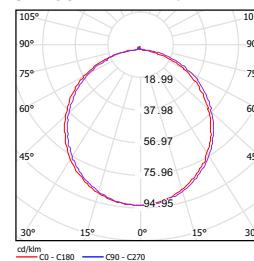
- Shopping malls, hotels, exhibition halls, houses, restaurants

Color

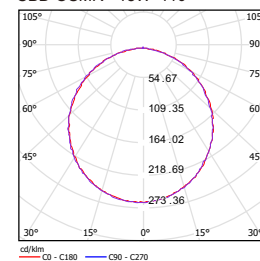


Photometric Data

CBD-OSMR- 12W 110°



CBD-OSMR- 18W 110°

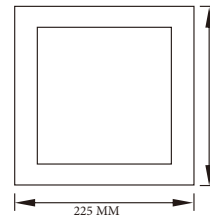


Model	Lumens	Color temp.	CRI	PF
CBD-OSMR-220-06 6W	350lm	3000K/4000K/6500K	75	0.5
CBD-OSMR-220-05 12W	780lm	3000K/4000K/6500K	75	0.5
CBD-OSMR-220-01 18W	1200lm	3000K/4000K/6500K	75	0.5

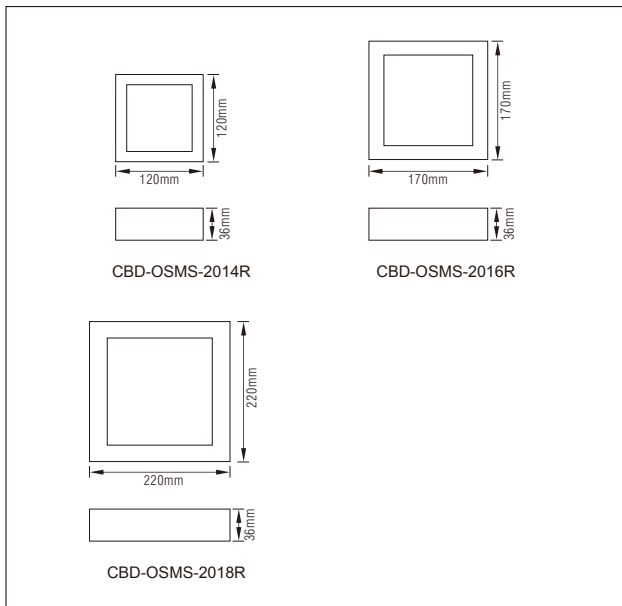
CBD-OS-MS-*



CBD-OSMS-220-01-18W
 CEILING LIGHT
 ALUMINIUM FRAME
 D: 225 X H: 40 MM



new



Specification

- High quality LEDs
- Aluminum housing
- Opal PMMA diffuser
- Built -in constant current LED driver

Applications

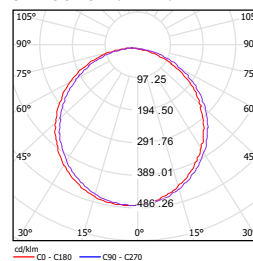
- Shopping malls, hotels , exhibition halls, houses, restaurants

Color



Photometric Data

CBD-OSMS- 18W 110°



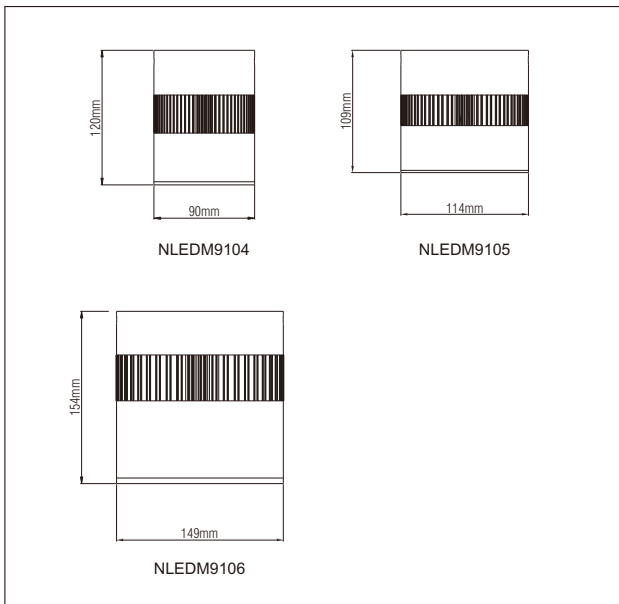
Model	Lumens	Color temp.	CRI	PF
CBD-OSMS-2014R 6W	350lm	3000K/4000K/6500K	75	0.5
CBD-OSMS-2016R 12W	780lm	3000K/4000K/6500K	75	0.5
CBD-OSMS-2018R 18W	1200lm	3000K/4000K/6500K	75	0.5

CBD-GRHD-M910*



IP
65

CBD-GRHD-LW30W
Dimension:420mmx145mm
LED CHIP:Osram chip
Power: 2x15w
WATERPROOF



Specification

- High quality LED COB chip
- Die-cast aluminum housing
- Frosted tempered glass diffuser
- Optional clear glass cover
- Powder coated surface treatment
- Built -in constant current LED driver

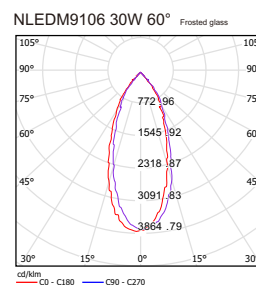
Applications

- Shopping malls, retail stores, offices, exhibition halls

Color



Photometric Data



Model	Lumens	Color temp.	CRI	PF
NLEDM9104 10W	800lm	3000K/4000K/6500K	80	0.85
NLEDM9105 20W	1600lm	3000K/4000K/6500K	80	0.85
NLEDM9106 30W	2400lm	3000K/4000K/6500K	80	0.85

QTY/CTN: 30PCS CTN Dimension: 500x305x280mm(NLEDM9104)
 QTY/CTN: 24PCS CTN Dimension: 495x375x250mm(NLEDM9105)
 QTY/CTN: 18PCS CTN Dimension: 480x480x350mm(NLEDM9106)





The Perfect Track, 320 Series

ELITE LED SOLUTIONS

LED Track Lights



COB



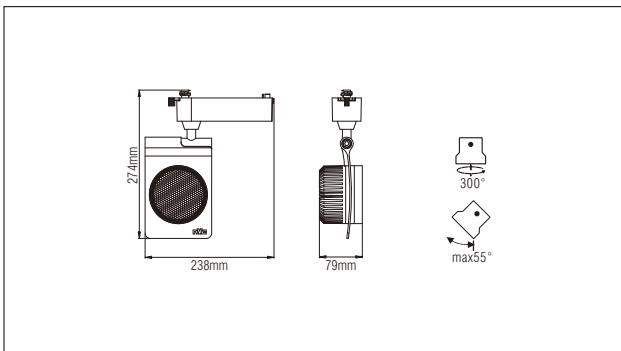
High Power

TLED301N



Specification

- High power SMD LEDs
- Die-cast aluminum housing and PC lens
- Powder coated surface treatment
- Constant current LED driver included
- 15°, 30° beam angle available



Model	Lumens	Color temp.	CRI	PF
TLED301N 30W	2000lm	3000K/4000K/5700K	80	0.95
TLED301N(RA90+) 30W	1600lm	3000K/4000K/5700K	90	0.95

QTY/CTN: 6PCS CTN Dimension: 472x396x320mm

Applications

- Retails, hospitalities, entertainments

Options

- ELITE 3-wire track and accessories

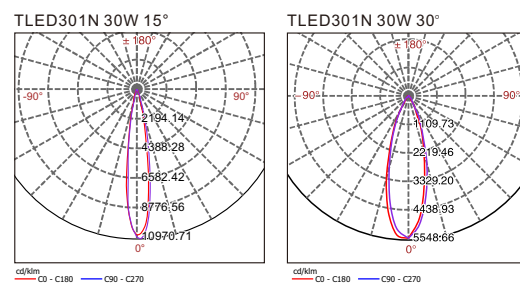


Three Wire Track T3-IJ T3-LJ

Color



Photometric Data

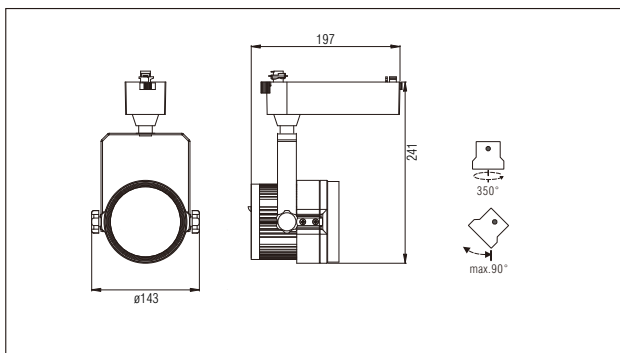


TLED312N



Specification

- High power SMD LEDs
- Die-cast aluminum housing and PC lens
- Powder coated surface treatment
- Constant current LED driver included
- 15°, 30° beam angle available



Model	Lumens	Color temp.	CRI	PF
TLED312N 30W	2000lm	3000K/4000K/5700K	80	0.95

QTY/CTN: 6PCS CTN Dimension: 500x482x308mm

Applications

- Retails, hospitalities, entertainments

Options

- ELITE 3-wire track and accessories



Three Wire Track

T3-IJ

T3-LJ

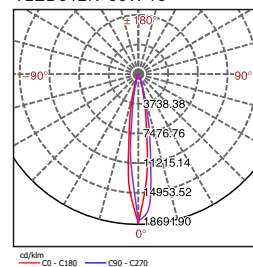
Color



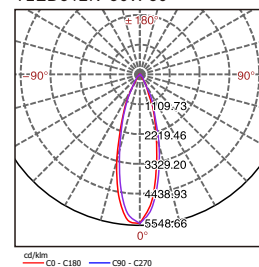
66 Cream White 18 Bright Silver Grey

Photometric Data

TLED312N 30W 15°



TLED312N 30W 30°



cd/m² C0 - C180 C90 - C270

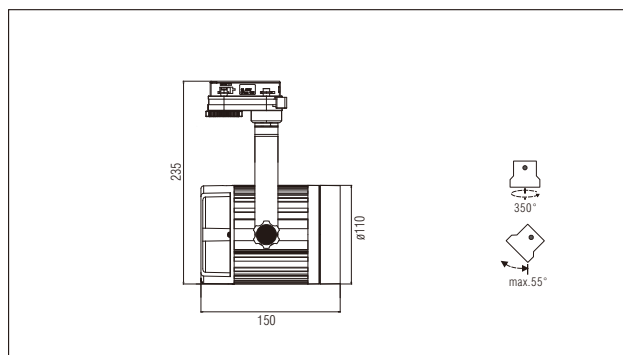
cd/m² C0 - C180 C90 - C270

TLED313LN



Specification

- High power SMD LEDs
- Die-cast aluminum housing and PC lens
- Powder coated surface treatment
- Constant current LED driver included
- 15°, 30° beam angle available



Model	Lumens	Color temp.	CRI	PF
TLED313LN 30W	2000lm	3000K/4000K/5700K	80	0.95

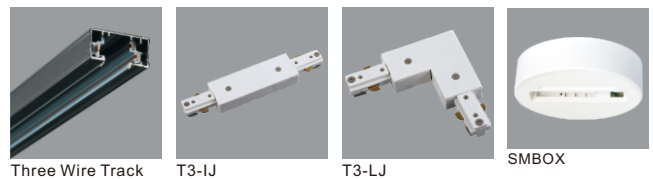
QTY/CTN: 6PCS CTN Dimension: 476x346x278mm

Applications

- Retails, hospitalities, entertainments

Options

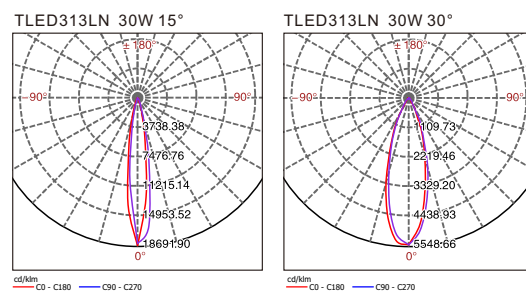
- ELITE 3-wire track and accessories
- Surface mounting box



Color



Photometric Data

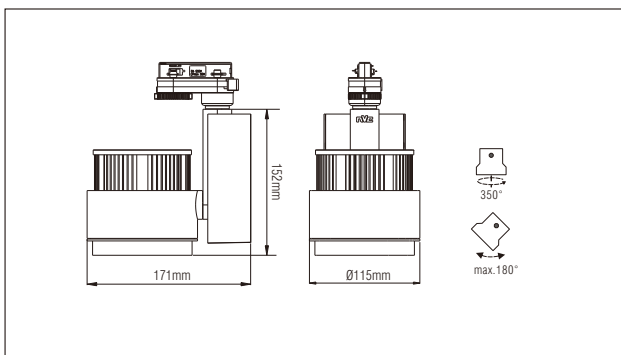


TLED314



Specification

- High power SMD LEDs
- Die-cast aluminum housing and PC lens
- Powder coated surface treatment
- Constant current LED driver included
- 15°, 30° beam angle available



Model	Lumens	Color temp.	CRI	PF
TLED314 30W	2000lm	3000K/4000K/6500K	80	0.95

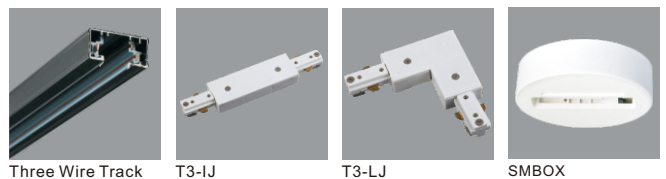
QTY/CTN: 6PCS CTN Dimension: 492x438x256mm

Applications

- Retails, hospitalities, entertainments

Options

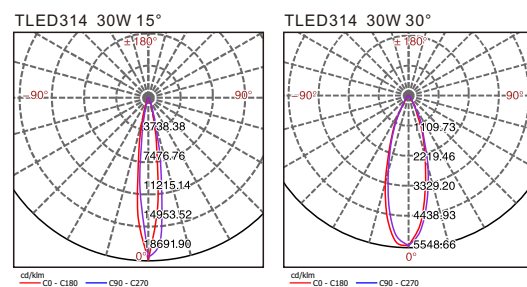
- ELITE 3-wire track and accessories
- Surface mounting box



Color



Photometric Data



TLED315



Specification

- High power SMD LEDs
- Die-cast aluminum housing and PC lens
- Powder coated surface treatment
- Constant current LED driver included
- 15°, 30° beam angle available

Applications

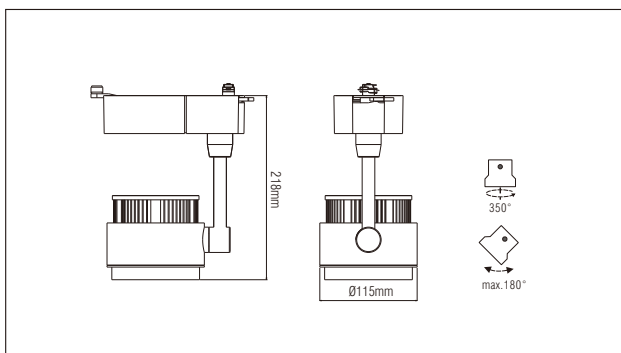
- Retails, hospitalities, entertainments

Options

- ELITE 3-wire track and accessories



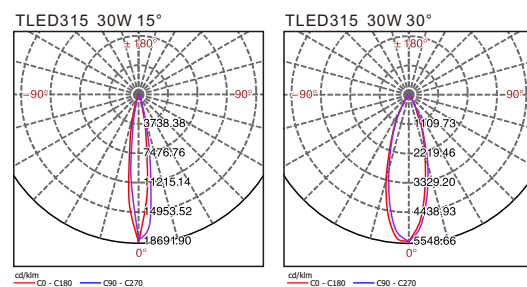
Three Wire Track T3-IJ T3-LJ



Color



Photometric Data



Model	Lumens	Color temp.	CRI	PF
TLED315 30W	2000lm	3000K/4000K/6500K	80	0.95

QTY/CTN: 6PCS CTN Dimension: 488x434x280mm

TLED328



new



Specification

- High power SMD LEDs
- Die-cast aluminum housing and PC lens
- Powder coated surface treatment
- Constant current LED driver included
- 15°, 24° and 36° beam angle available

Applications

- Retails, hospitalities, entertainments

Options

- ELITE 3-wire track and accessories



Three Wire Track

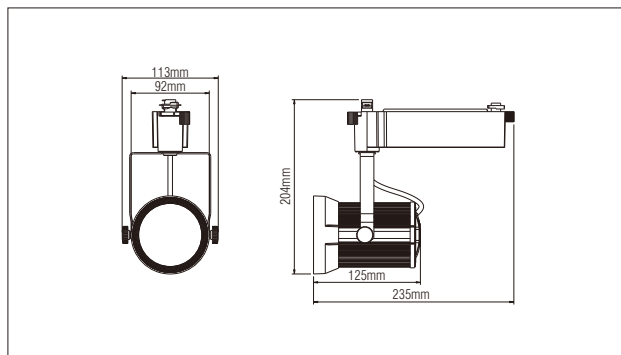
T3-IJ

T3-LJ

Color

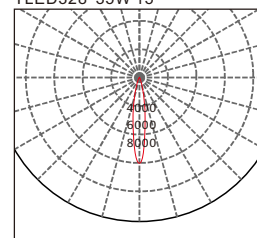


Semi-white Black

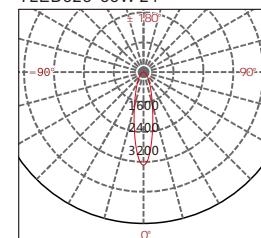


Photometric Data

TLED328 35W 15°



TLED328 35W 24°



cd/klm C0 - C180 C90 - C270

cd/klm C0 - C180 C90 - C270

Model	Lumens	Color temp.	CRI	PF
TLED328 35W	2200lm	3000K/4000K/5700K	80	0.9

QTY/CTN: 4PCS CTN Dimension: 516×284×242mm(TLED323 15W)

TLED320A/B/C



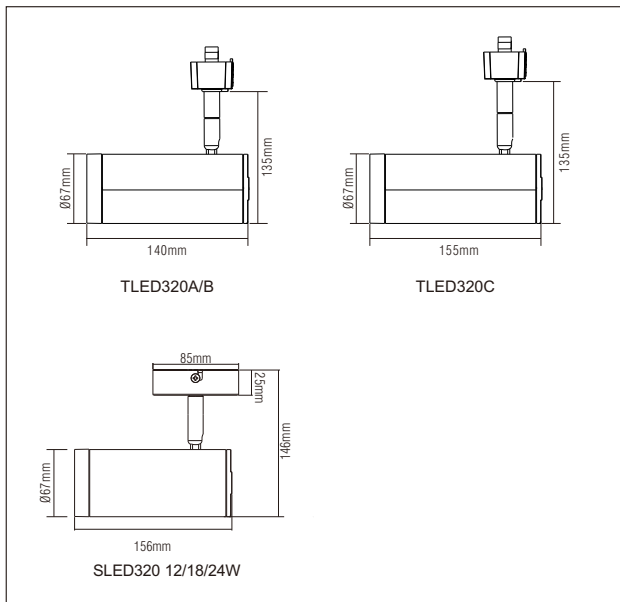
new



SLED320

Specification

- COB LED
- Aluminum alloy body
- Powder coated surface treatment
- Constant current LED driver included
- 15°, 24° and 38° beam angle available
- Surface mounted version available

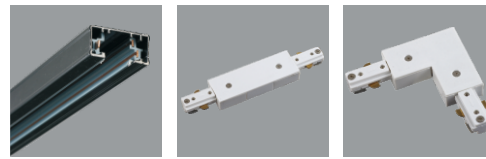


Applications

- Retails, hospitalities, entertainments

Options

- ELITE 3-wire track and accessories



Three Wire Track

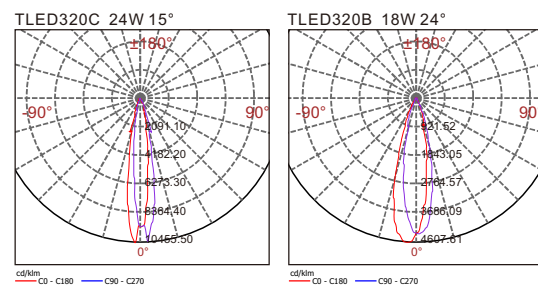
T3-IJ

T3-LJ

Color



Photometric Data



Model	Lumens	Color temp.	CRI	PF
TLED320A/B/C 12/18/24W	810/1120/1360lm	3000K/4000K/5700K	80	0.9
SLED320 12/18/24W	810/1120/1360lm	3000K/4000K/5700K	80	0.9

- QTY/CTN: 12PCS CTN Dimension: 338x330x230mm(TLED320A/B)
- QTY/CTN: 12PCS CTN Dimension: 338x330x252mm(TLED320C)
- QTY/CTN: 12PCS CTN Dimension: 398x384x210mm(SLED320 12W/18W)
- QTY/CTN: 12PCS CTN Dimension: 398x384x226mm(SLED320 24W)

TLED326A/B



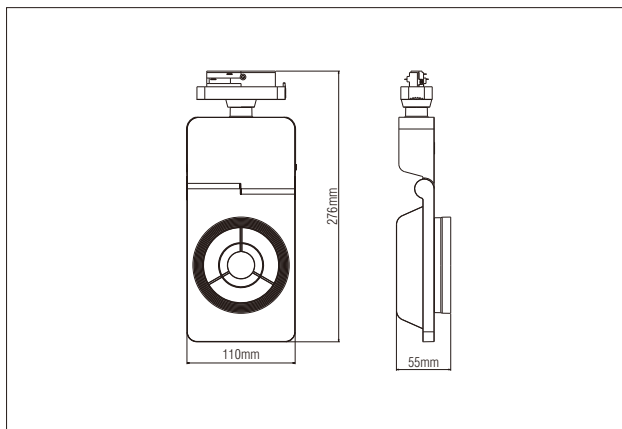
new



CRI 90

Specification

- COB LED
- Die-cast aluminum housing
- Powder coated surface treatment
- Constant current LED driver included
- 15° and 30° beam angle available



Model	Lumens	Color temp.	CRI	PF
TLED326A 24W	1400lm	3000K/4000K	90	0.9
TLED326B 35W	2100lm	3000K/4000K	90	0.9

QTY/CTN: 12PCS CTN Dimension: 408×304×322mm

Applications

- Retails, hospitalities, entertainments

Options

- ELITE 3-wire track and accessories



Three Wire Track

T3-IJ

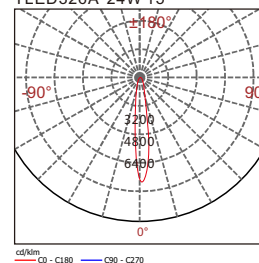
T3-LJ

Color

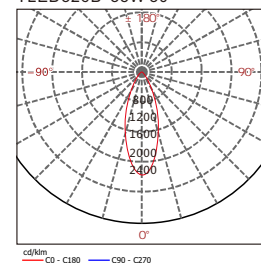


Photometric Data

TLED326A 24W 15°



TLED326B 35W 30°



cd/klm C0 - C180 C90 - C270

cd/klm C0 - C180 C90 - C270

TLED332*



new

CRI 90



TLED332C (3-wire)



TLED332Z (3-wire)

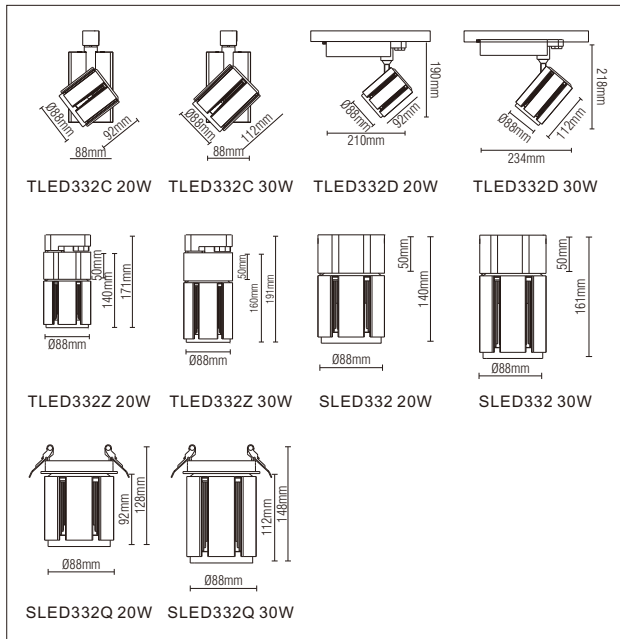


SLED332(Surface mounted)



SLED332Q (recessed)

TLED332D (3-wire)



Specification

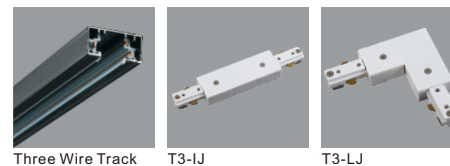
- COB LED
- Die-cast aluminum housing
- Powder coated surface treatment
- Constant current LED driver included
- 15°, 24° and 38° beam angle available

Applications

- Retails, hospitalities, entertainments

Options

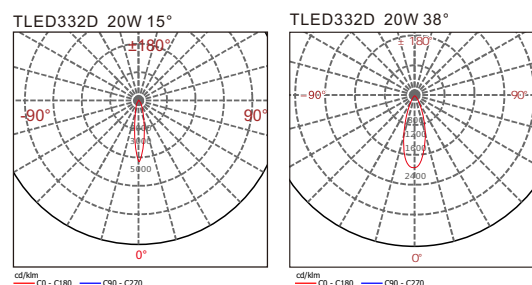
• ELITE 3-wire track and accessories



Color



Photometric Data



Model	Lumens	Color temp.	CRI	PF
TLED332D 20/30W	1100/1650lm	3000K/4000K/5700K	90	0.9
TLED332Z 20/30W	1100/1650lm	3000K/4000K/5700K	90	0.9
TLED332C 20/30W	1100/1650lm	3000K/4000K/5700K	90	0.9
SLED332Q 20/30W	1100/1650lm	3000K/4000K/5700K	90	0.9
SLED332 20/30W	1100/1650lm	3000K/4000K/5700K	90	0.9

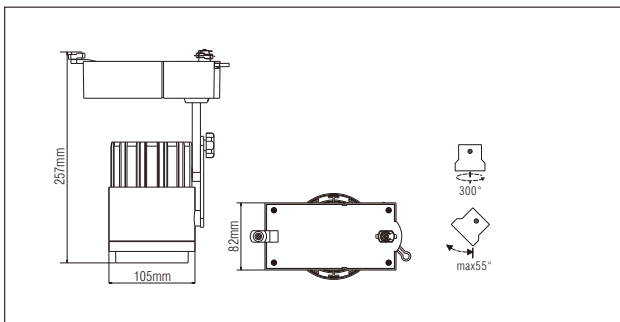
QTY/CTN: 12PCS	CTN Dimension: 480×400×390mm(TLED332D)
QTY/CTN: 12PCS	CTN Dimension: 400×300×230mm(TLED332Z)
QTY/CTN: 12PCS	CTN Dimension: 480×400×390mm(TLED332C)
QTY/CTN: 12PCS	CTN Dimension: 520×520×200mm(TLED332Q)
QTY/CTN: 12PCS	CTN Dimension: 400×300×190mm(SLED332)

TLED305



Specification

- COB LED
- Die-cast aluminum housing
- Powder coated surface treatment
- Constant current LED driver included
- 15°, 24° beam angle available



Model	Lumens	Color temp.	CRI	PF
TLED305SA 35W	2200lm	3000K/4000K	83	0.9
TLED305A 50W	3330lm	3000K/4000K	83	0.9

QTY/CTN: 6PCS CTN Dimension: 470x462x315mm

Applications

- Retails, hospitalities, entertainments

Options

- ELITE 3-wire track and accessories



Three Wire Track

T3-IJ

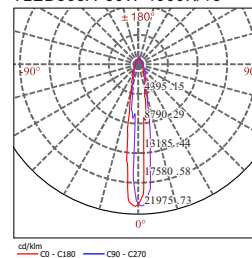
T3-LJ

Color

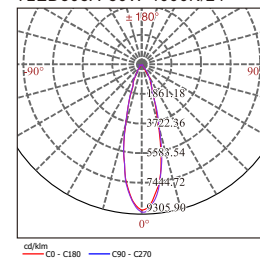


Photometric Data

TLED305A 50W-4000K/15°



TLED305A 50W-4000K/24°



cd/km C0 - C180 C90 - C270

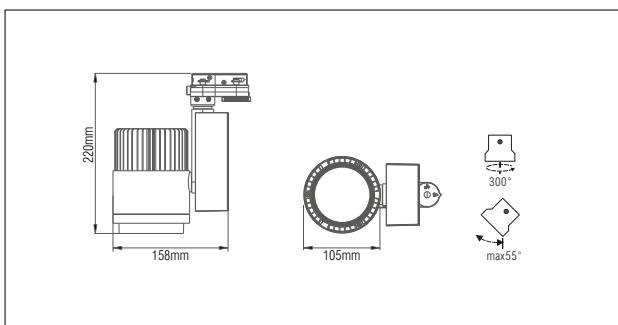
cd/km C0 - C180 C90 - C270

TLED306N



Specification

- COB LED
- Die-cast aluminum housing
- Powder coated surface treatment
- Constant current LED driver included
- 15°, 24° beam angle available



Model	Lumens	Color temp.	CRI	PF
TLED306N 35W	2100lm	3000K/4000K	80	0.95
TLED306N 50W	3000lm	3000K/4000K	80	0.95

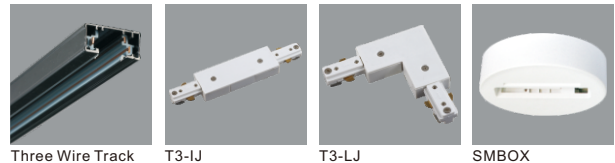
QTY/CTN: 6PCS CTN Dimension: 440x424x280mm

Applications

- Retails, hospitalities, entertainments

Options

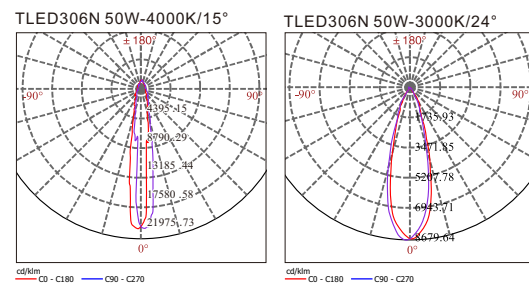
- ELITE 3-wire track and accessories
- Surface mounting box



Color



Photometric Data

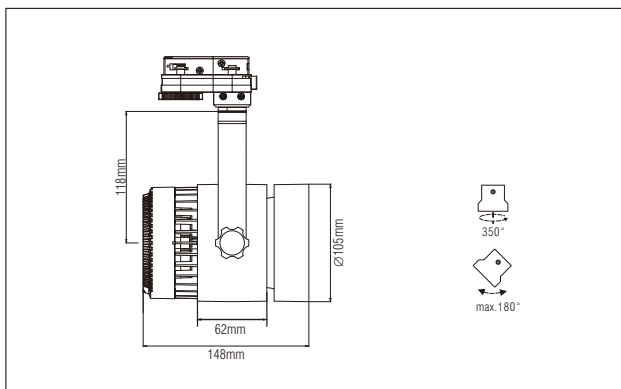


TLED317N



Specification

- COB LED
- Die-cast aluminum housing
- Powder coated surface treatment
- Constant current LED driver included
- 15°, 24° and 40° beam angle available



Model	Lumens	Color temp.	CRI	PF
TLED317N 35W	2100lm	3000K/4000K	80	0.95
TLED317N 50W	3000lm	3000K/4000K	80	0.95

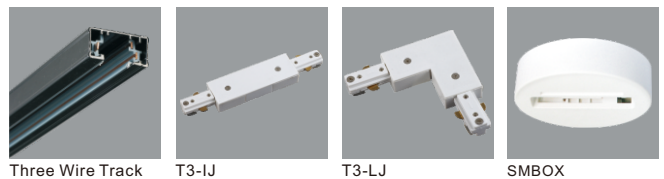
QTY/CTN: 6PCS CTN Dimension: 480x340x280mm

Applications

- Retails, hospitalities, entertainments

Options

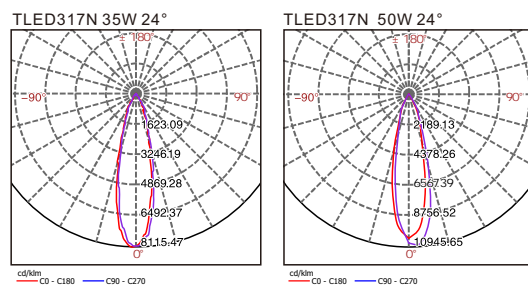
- ELITE 3-wire track and accessories
- Surface mounting box



Color



Photometric Data

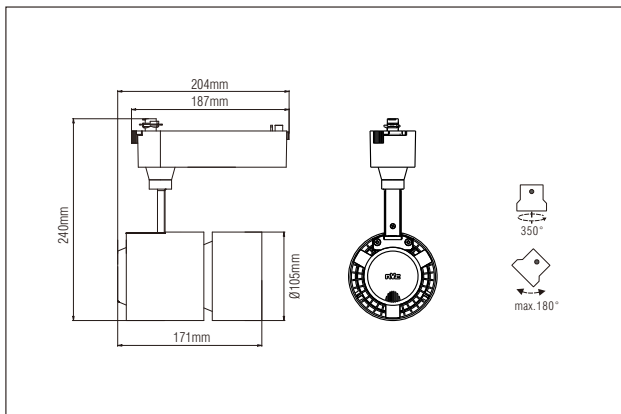


TLED318N



Specification

- COB LED
- Die-cast aluminum housing
- Powder coated surface treatment
- Constant current LED driver included
- 15°, 24° and 40° beam angle available



Model	Lumens	Color temp.	CRI	PF
TLED318N 35W	2100lm	3000K/4000K	90	0.95
TLED318N 50W	3000lm	3000K/4000K	90	0.95

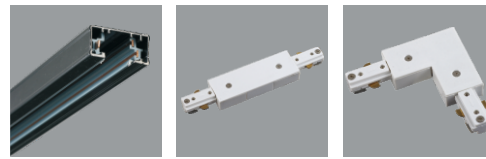
QTY/CTN: 6PCS CTN Dimension: 490x455x280mm

Applications

- Retails, hospitalities, entertainments

Options

- ELITE 3-wire track and accessories



Three Wire Track

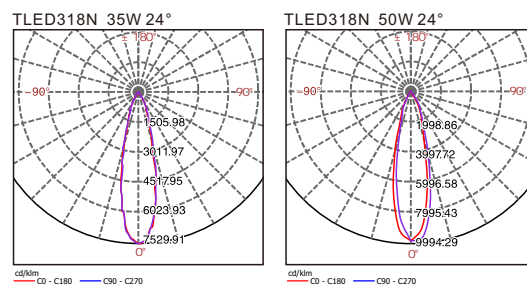
T3-IJ

T3-LJ

Color



Photometric Data

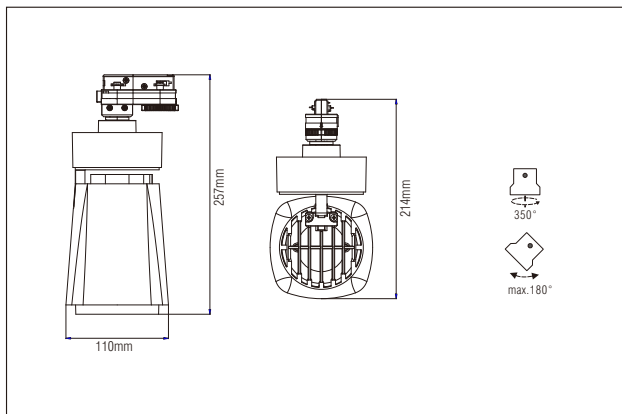


TLED319N



Specification

- COB LED
- Die-cast aluminum housing
- Powder coated surface treatment
- Constant current LED driver included
- 15°, 24° and 40° beam angle available



Model	Lumens	Color temp.	CRI	PF
TLED319N 35W	2100lm	3000K/4000K	80	0.95
TLED319N 50W	3000lm	3000K/4000K	80	0.95

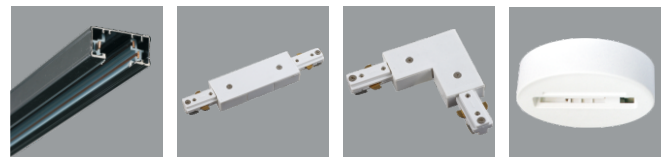
QTY/CTN: 6PCS CTN Dimension: 455x310x305mm

Applications

- Retails, hospitalities, entertainments

Options

- ELITE 3-wire track and accessories
- Surface mounting box

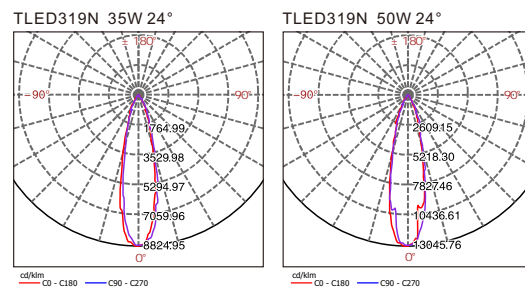


Three Wire Track T3-IJ T3-LJ SMBOX

Color



Photometric Data



TLED323



Specification

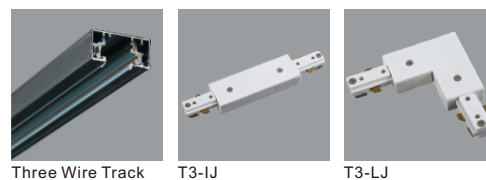
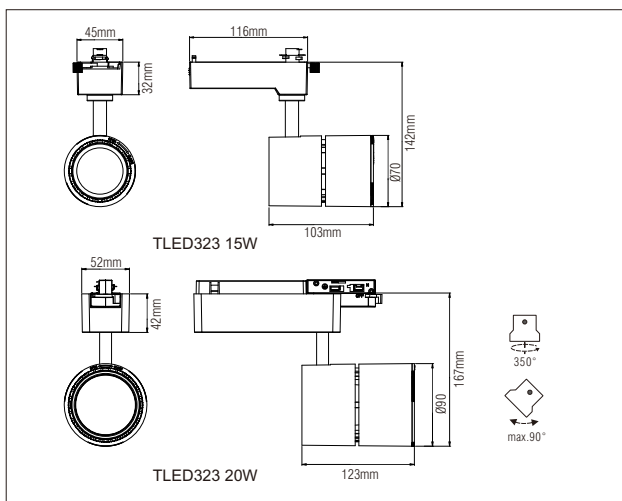
- COB LED
- Die-cast aluminum housing
- Constant current LED driver included
- 15°, 30°, 40° beam angle available

Applications

- Retails, hospitalities, entertainments

Options

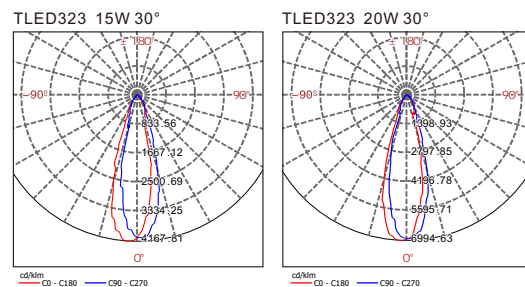
- ELITE 3-wire track and accessories



Color



Photometric Data





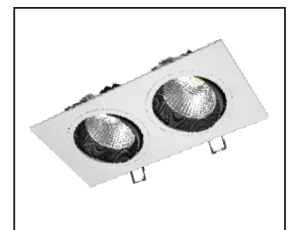


ELITE LED SOLUTIONS

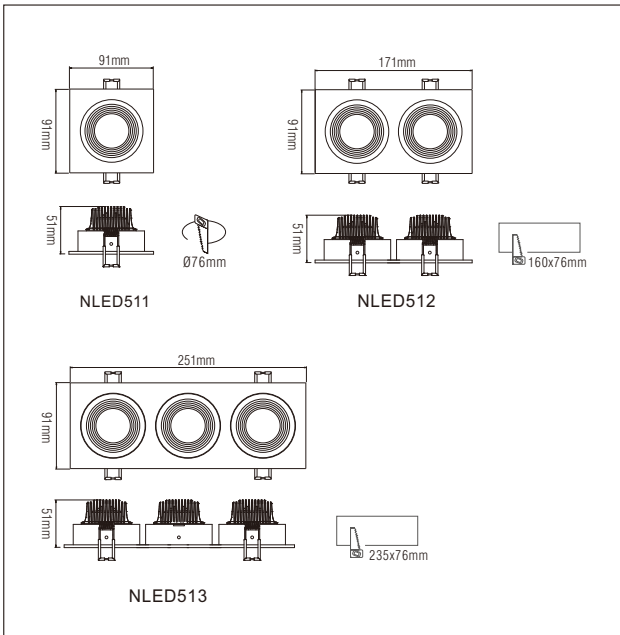
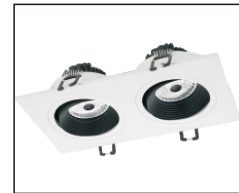
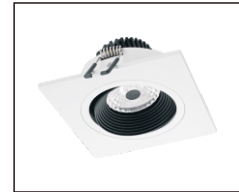
LED Multiple Downlights



COB



NLED51*



Specification

- COB LED
- Die-cast aluminum housing and PC lens
- Powder coated surface treatment
- Separate constant current LED driver included

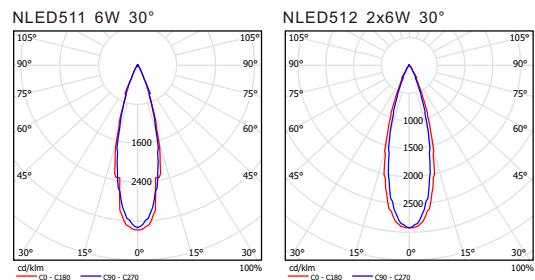
Applications

- Retails, hospitalities, entertainments

Color



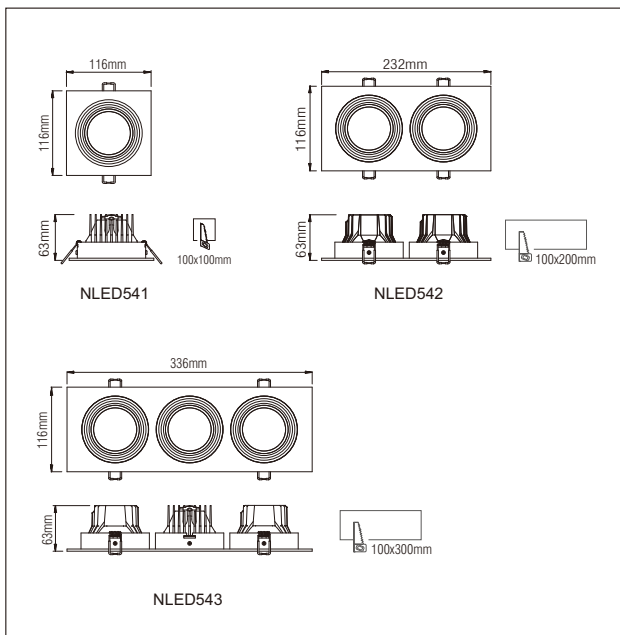
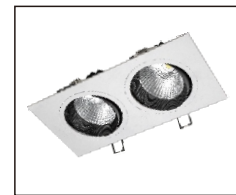
Photometric Data



Model	Lumens	Color temp.	CRI	PF
NLED511 6W	420lm	3000K/4000K/6500K	80	0.6
NLED512 12W	780lm	3000K/4000K/6500K	80	0.7
NLED513 18W	1180lm	3000K/4000K/6500K	80	0.9

QTY/CTN: 20PCS CTN Dimension: 590x245x170mm(NLED511)
 QTY/CTN: 12PCS CTN Dimension: 425x380x170mm(NLED512)
 QTY/CTN: 12PCS CTN Dimension: 575x380x170mm(NLED513)

NLED54*



Specification

- COB LED
- Die-cast aluminum housing
- Powder coated surface treatment
- Separate constant current LED driver included

Applications

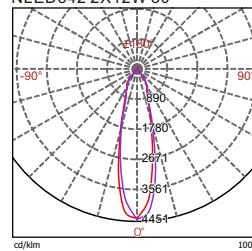
- Retails, hospitalities, entertainments

Color

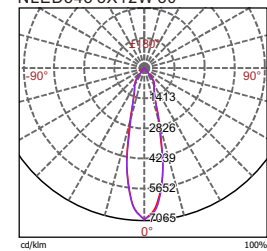


Photometric Data

NLED542 2X12W 30°



NLED543 3X12W 30°



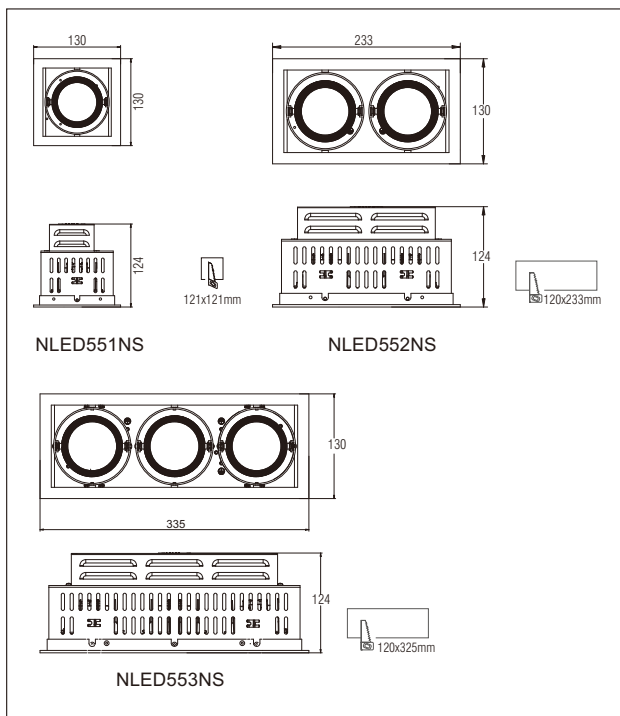
Model	Lumens	Color temp.	CRI	PF
NLED541 12W	650lm	3000K/4000K/6500K	80	0.9
NLED542 24W	1300lm	3000K/4000K/6500K	80	0.9
NLED543 36W	1950lm	3000K/4000K/6500K	80	0.9

QTY/CTN: 36PCS CTN Dimension: 454x394x348mm(NLED541)
 QTY/CTN: 24PCS CTN Dimension: 502x448x348mm(NLED542)
 QTY/CTN: 12PCS CTN Dimension: 448x360x348mm(NLED543)

NLED55NS



whole body white painted



Specification

- COB LED
- Die-cast aluminum bezel and steel housing
- Powder coated surface treatment
- Constant current LED driver included

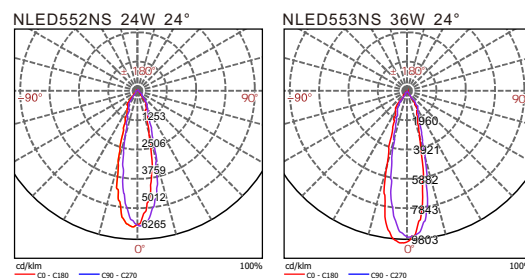
Applications

- Retails, hospitalities, entertainments

Color



Photometric Data



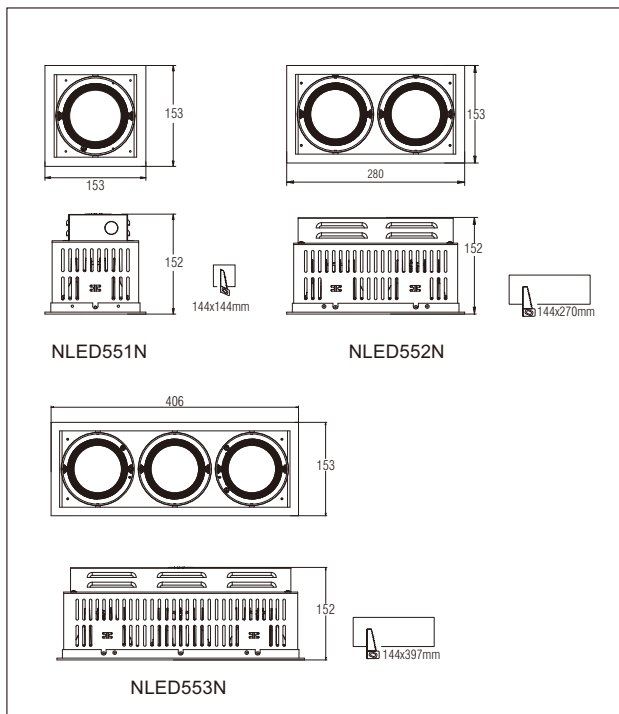
Model	Lumens	Color Temp.	CRI	PF
NLED551NS 12W	750lm	3000K/4000K/5700K	80	0.9
NLED552NS 24W	1500lm	3000K/4000K/5700K	80	0.9
NLED553NS 36W	2250lm	3000K/4000K/5700K	80	0.9

QTY/CTN: 12PCS CTN Dimension: 305x300x330mm(NLED551NS)
 QTY/CTN: 6PCS CTN Dimension: 270x300x330mm(NLED552NS)
 QTY/CTN: 6PCS CTN Dimension: 370x300x330mm(NLED553NS)

NLED55N



whole body white painted



Specification

- COB LED
- Die-cast aluminum bezel and steel housing
- Powder coated surface treatment
- Constant current LED driver included

Applications

- Retails, hospitalities, entertainments

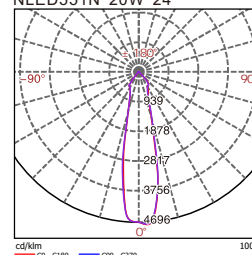
Color



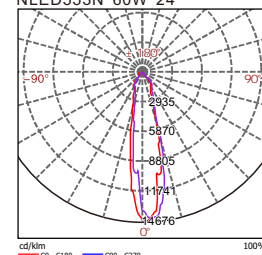
Cream White

Photometric Data

NLED551N 20W 24°



NLED553N 60W 24°



Model	Lumens	Color Temp.	CRI	PF
NLED551N 20W	1320lm	3000K/4000K/5700K	80	0.9
NLED552N 40W	2640lm	3000K/4000K/5700K	80	0.9
NLED553N 60W	3960lm	3000K/4000K/5700K	80	0.9

QTY/CTN: 8PCS CTN Dimension: 350x345x280mm(NLED551N)
 QTY/CTN: 4PCS CTN Dimension: 315x345x280mm(NLED552N)
 QTY/CTN: 4PCS CTN Dimension: 440x345x280mm(NLED553N)

NLED582*A



new



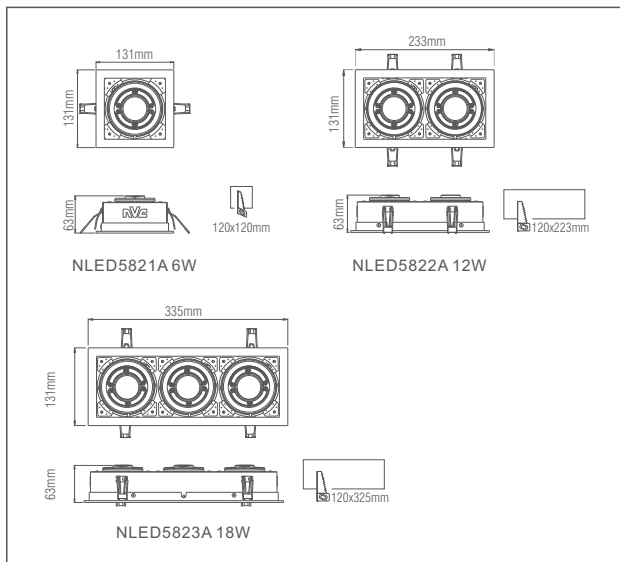
NLED5823A



NLED5821A



NLED5822A



Specification

- COB LED
- Die-cast aluminum bezel and steel housing
- Powder coated surface treatment
- Constant current LED driver included

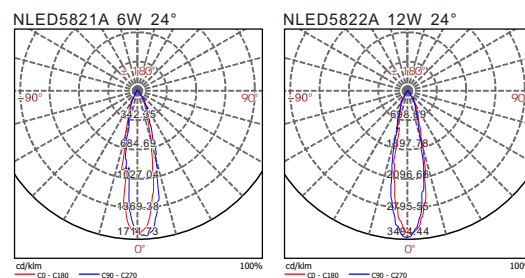
Applications

- Retails, hospitalities, entertainments

Color



Photometric Data



Model	Lumens	Color Temp.	CRI	PF
NLED5821A 6W	450lm	3000K/4000K/5700K	80	0.9
NLED5822A 12W	900lm	3000K/4000K/5700K	80	0.9
NLED5823A 18W	1350lm	3000K/4000K/5700K	80	0.9

QTY/CTN: 18PCS CTN Dimension: 486×328×288mm(NLED5821A)
 QTY/CTN: 12PCS CTN Dimension: 532×328×288mm(NLED5822A)
 QTY/CTN: 6PCS CTN Dimension: 374×328×288mm(NLED5823A)

NLED582*B NLED582*C



new



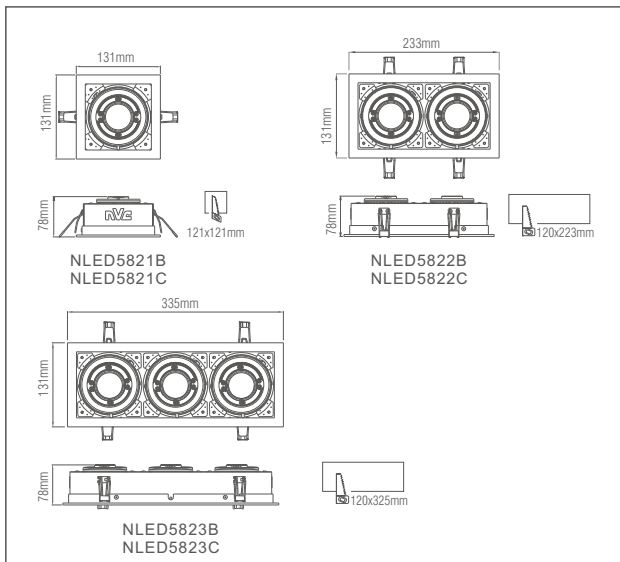
NLED5823B 27W
NLED5823C 36W



NLED5821B 9W
NLED5821C 12W



NLED5822B 18W
NLED5822C 24W



Specification

- COB LED
- Die-cast aluminum bezel and steel housing
- Powder coated surface treatment
- Constant current LED driver included

Applications

- Retails, hospitalities, entertainments

Color



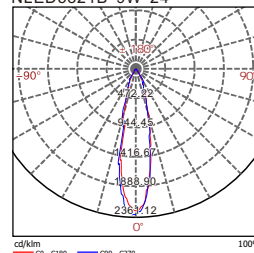
Semi-white

Model	Lumens	Color Temp.	CRI	PF
NLED5821B 9W	500lm	3000K/4000K/5700K	80	0.9
NLED5822B 18W	1000lm	3000K/4000K/5700K	80	0.9
NLED5823B 27W	1500lm	3000K/4000K/5700K	80	0.9
NLED5821C 12W	720lm	3000K/4000K/5700K	80	0.9
NLED5822C 24W	1440lm	3000K/4000K/5700K	80	0.9
NLED5823C 36W	2160lm	3000K/4000K/5700K	80	0.9

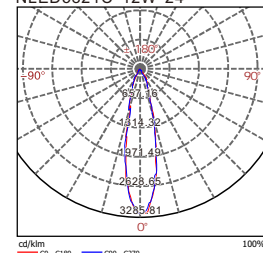
QTY/CTN: 18PCS CTN Dimension: 486×328×288mm(NLED5821*)
 QTY/CTN: 12PCS CTN Dimension: 532×328×288mm(NLED5822*)
 QTY/CTN: 6PCS CTN Dimension: 374×328×288mm(NLED5823*)

Photometric Data

NLED5821B 9W 24°



NLED5821C 12W 24°



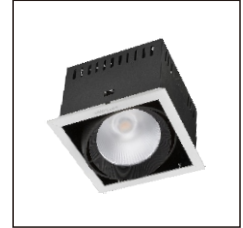
NLED583* NLED583*A



new



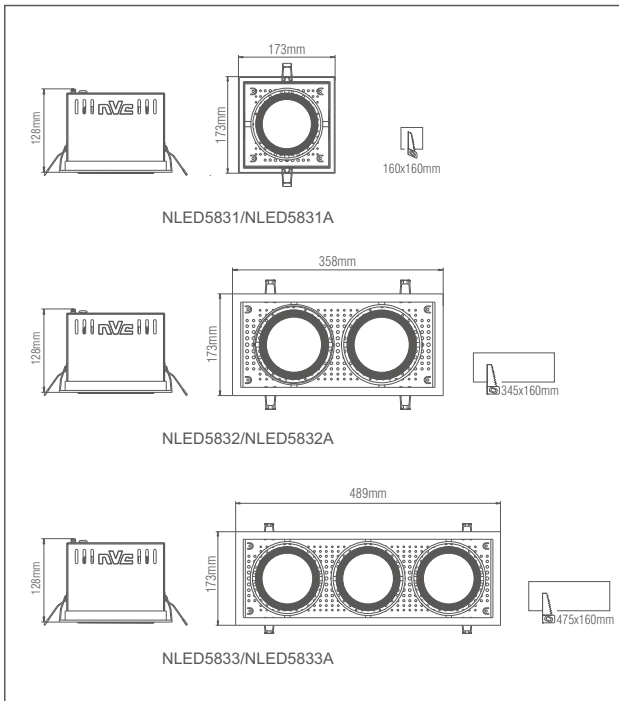
NLED5833 3×24W
NLED5833A 3×35W



NLED5831 24W
NLED5831A 35W



NLED5832 2×24W
NLED5832A 2×35W



Specification

- COB LED
- Die-cast aluminum bezel and steel housing
- Powder coated surface treatment
- Constant current LED driver included
- 15° and 24° beam angle

Applications

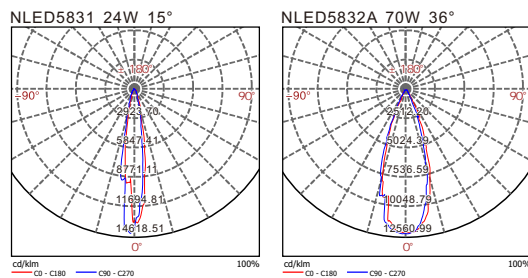
- Retails, hospitalities, entertainments

Color



Semi-white

Photometric Data



Model	Lumens	Color Temp.	CRI	PF
NLED5831 24W	1800lm	3000K/4000K/5700K	80	0.9
NLED5832 48W	3600lm	3000K/4000K/5700K	80	0.9
NLED5833 72W	5400lm	3000K/4000K/5700K	80	0.9
NLED5831A 35W	2300lm	3000K/4000K/5700K	80	0.9
NLED5832A 70W	4600lm	3000K/4000K/5700K	80	0.9
NLED5833A 105W	6900lm	3000K/4000K/5700K	80	0.9

QTY/CTN: 12PCS CTN Dimension: 580×390×350mm(NLED5831*)
 QTY/CTN: 6PCS CTN Dimension: 580×386×350mm(NLED5832*)
 QTY/CTN: 4PCS CTN Dimension: 518×390×350mm(NLED5833*)





ELITE LED SOLUTIONS

LED Panels



Side-lit



Back-lit

CBD-NEG-*
CBD-OS-*

***/E** (with Emergency kit)



Specification

- High quality LEDs
- Aluminum frame & PMMA light guide panel + translucent diffuser
- Powder coated surface treatment
- For 15-24mm exposed T ceiling grids
- Separate constant current LED driver included

Applications

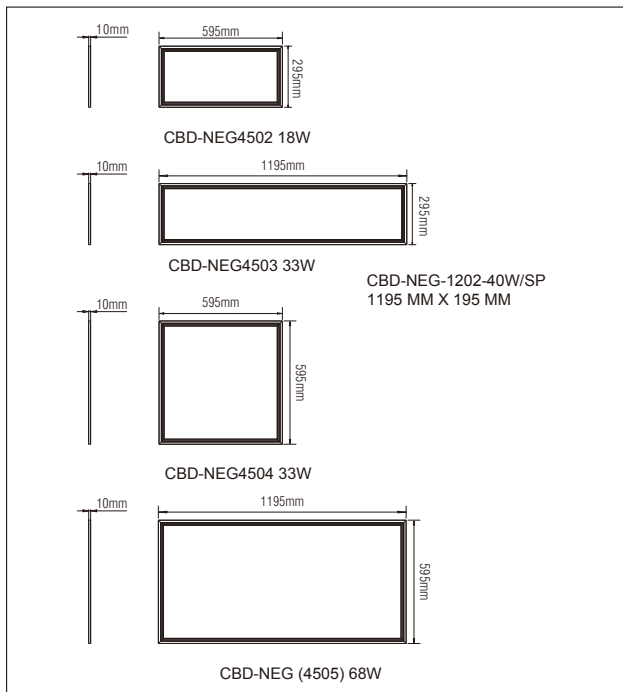
- Offices, schools, hospitals and general commercial projects

Options

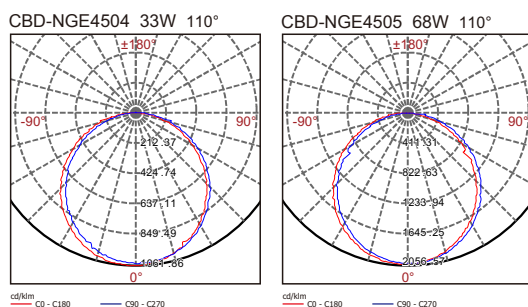
- For surface or suspended installation, a surface mounting frame and suspension kits are both available. (1 suspension kit required per panel)



3 HOURS EMERGENCY POWER SUPPLIES, Model: */E



Photometric Data

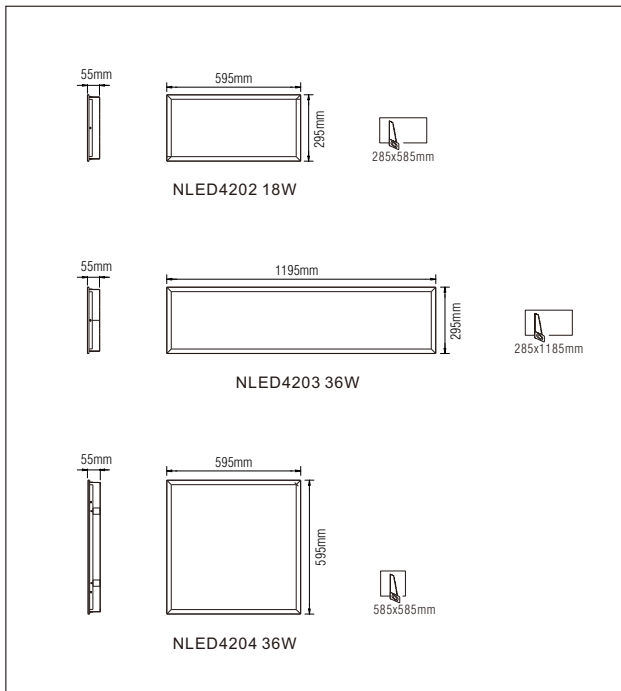


Model	Lumens	Color temp.	CRI	PF
CBD-NEG4502 18W	1790Lm	3000K/4000K/6500K	85	0.97
CBD-NEG4503 33W	3500Lm	3000K/4000K/6500K	85	0.97
CBD-NEG4504 33W	3500Lm	3000K/4000K/6500K	85	0.97
CBD-NEG4505 68W	6750Lm	3000K/4000K/6500K	85	0.97

Other types available:

CBD-NEG-1206-40W	120*60 CM	3000K	40W
CBD-NEG-1206-54W	120*60 CM	3000K	54W
CBD-NEG-1206-72W	120*60 CM	3000K	72W
CBD-NEG-1203-40W	120*30 CM	3000K	40W
CBD-NEG-1202-40W	120*20 CM	3000K	40W
CBD-OS-6060-36W	60*60 CM	3000K	36W
CBD-OS-6060-48W	60*60 CM	3000K	48W

CBD-NLED420* */E (with Emergency kit)



Specification

- High quality LEDs
- Steel housing & PS diffuser
- Powder coated surface treatment
- For 15-24mm exposed T ceiling grids and plaster board recessed installation
- Constant current LED driver included

Applications

- Offices, schools, hospitals and general commercial projects

Options

- Recessed clip
- Suspension kit
- Surface mounting frame



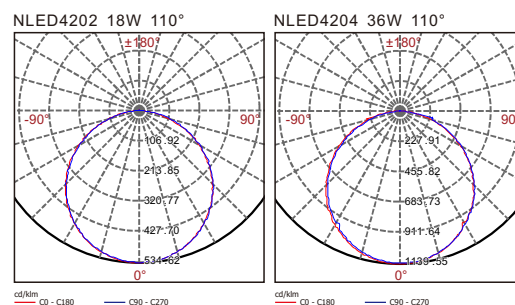
3 HOURS EMERGENCY POWER SUPPLIES, Model: */E



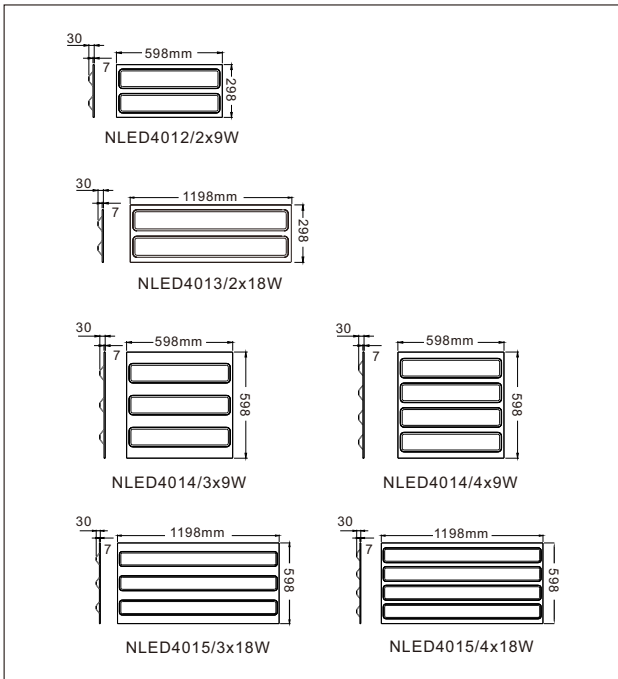
Model	Lumens	Color temp.	CRI	PF
NLED4202 18W	1700Lm	3000K/4000K/6500K	85	0.97
NLED4203 36W	3600Lm	3000K/4000K/6500K	85	0.97
NLED4204 36W	3600Lm	3000K/4000K/6500K	85	0.97

QTY/CTN: 2PCS CTN Dimension: 655x140x360mm(NLED4202 18W)
 QTY/CTN: 2PCS CTN Dimension: 1255x140x360mm(NLED4203 36W)
 QTY/CTN: 2PCS CTN Dimension: 655x140x660mm(NLED4204 36W)

Photometric Data



CBD-NLD401*C */E (with Emergency kit)



Specification

- High quality LEDs
- Steel housing & PC diffuser
- Powder coated surface treatment
- For recessed installation in a 15-24mm exposed T ceiling grids
- Constant current LED driver included

Applications

- Offices, schools, hospitals and general commercial projects

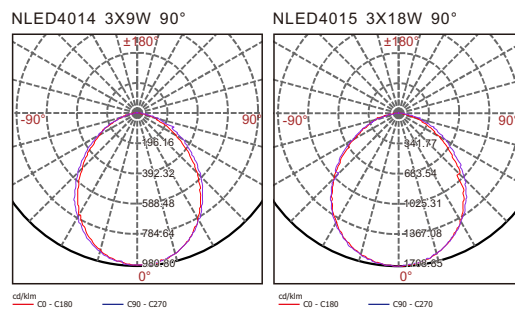
Color



3 HOURS EMERGENCY POWER SUPPLIES, Model: */E

Model	Lumens	Color temp.	CRI	PF
CBD-NLD-4012C/2x9W	1530Lm	3000K/4000K/6500K	80	0.9
CBD-NLD-4013C/2x18W	3060Lm	3000K/4000K/6500K	80	0.9
CBD-NLD-4014C/3x9W	2300Lm	3000K/4000K/6500K	80	0.9
CBD-NLD-4014C/4x9W	3060Lm	3000K/4000K/6500K	80	0.9
CBD-NLD-4015C/3x18W	4600Lm	3000K/4000K/6500K	80	0.9
CBD-NLD-4013C/4x18W	6150Lm	3000K/4000K/6500K	80	0.9

Photometric Data

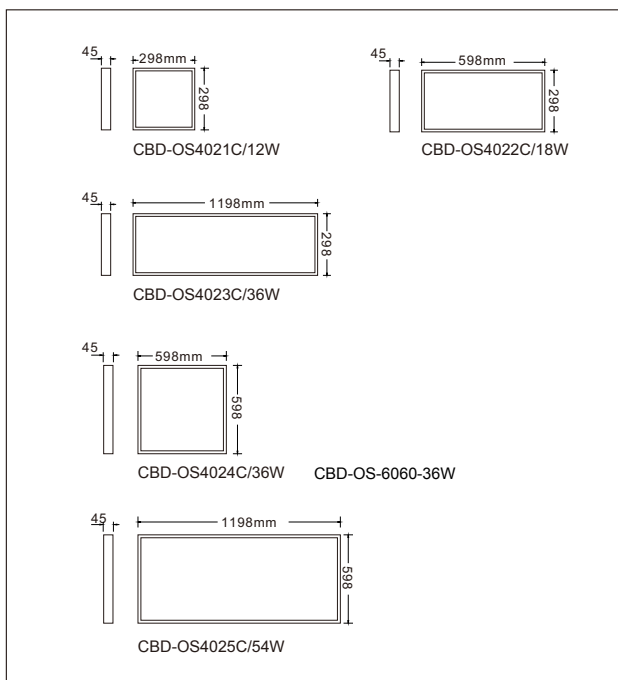


CBD-OS402*C

CBD-NEG-*A

*/E (with Emergency kit)

CBD-OS-6060A



Specification

- High quality LEDs
- Steel housing & PC diffuser
- Powder coated surface treatment
- For recessed mounting in 15-24mm exposed T ceiling grid
- Surface mountable using fittings included
- Suspension mountable with suspension wires to be purchased separately
- Constant current LED driver included

Applications

- Offices, schools, hospitals and general commercial projects

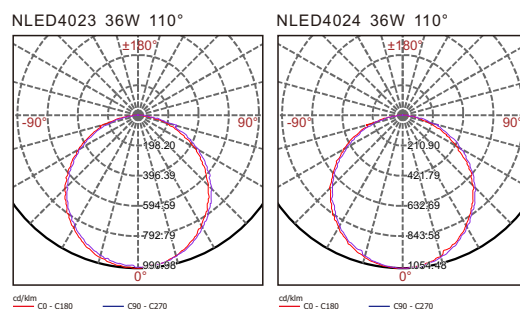
Color



3 HOURS EMERGENCY POWER SUPPLIES, Model: */E

Model	Lumens	Color temp.	CRI	PF
CBD-OS4021C 12W	1020Lm	3000K/4000K/6500K	75	0.9
CBD-OS4022C 18W	1530Lm	3000K/4000K/6500K	75	0.9
CBD-OS4023C 36W	3060Lm	3000K/4000K/6500K	75	0.9
CBD-OS4024C 36W	3060Lm	3000K/4000K/6500K	75	0.9
CBD-OS-6060 36W	3060Lm	3000K/4000K/6500K	75	0.9
CBD-OS4025C 54W	4600Lm	3000K/4000K/6500K	75	0.9
CBD-NEG-1202A40W	4200Lm	3000K/4000K/6500K	75	0.9
CBD-NEG-1203A40W	4200Lm	3000K/4000K/6500K	75	0.9
CBD-NEG-1206A54W	4600Lm	3000K/4000K/6500K	75	0.9

Photometric Data





ELITE LED SOLUTIONS

LED Linear Lighting



T5 Battens



T8 Battens

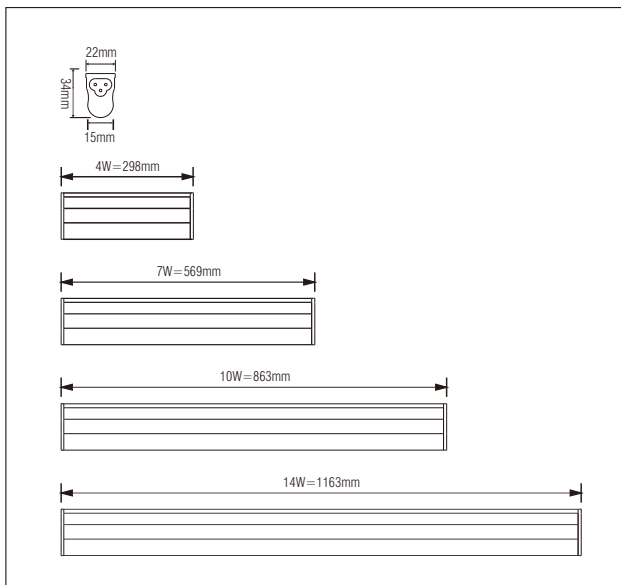


Commercial Fittings



Waterproof Battens

LED T5G-II



Specification

- SMD2835 LEDs
- Aluminum housing and PC diffuser
- Anodized surface treatment
- Built-in constant current LED driver
- Linkable

Applications

- Retail and general commercial use

Accessories

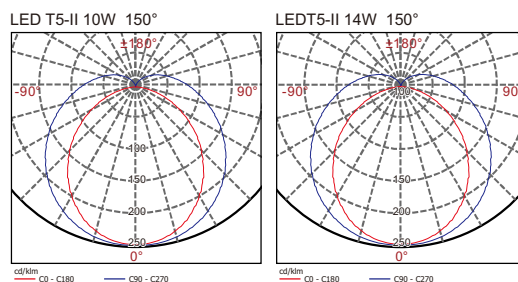
- Maxium connection: 8 PCS connection for 14W and 12 PCS connection for 10W
- Connection installation and accessories



Model	Lumens	Color temp.	CRI	PF
LED T5G-II 4W	280lm	3000K/4000K/6500K	75	0.5
LED T5G-II 7W	550lm	3000K/4000K/6500K	75	0.5
LED T5G-II 10W	800lm	3000K/4000K/6500K	75	0.5
LED T5G-II 14W	1050lm	3000K/4000K/6500K	75	0.5

QTY/CTN:30PCS CNT Dimension: 360x220x206mm(LED T5GII 4W)
 QTY/CTN:30PCS CNT Dimension: 631x220x206mm(LED T5GII 7W)
 QTY/CTN:30PCS CNT Dimension: 925x220x206mm(LED T5GII 10W)
 QTY/CTN:30PCS CNT Dimension: 1225x220x206mm(LED T5GII 14W)

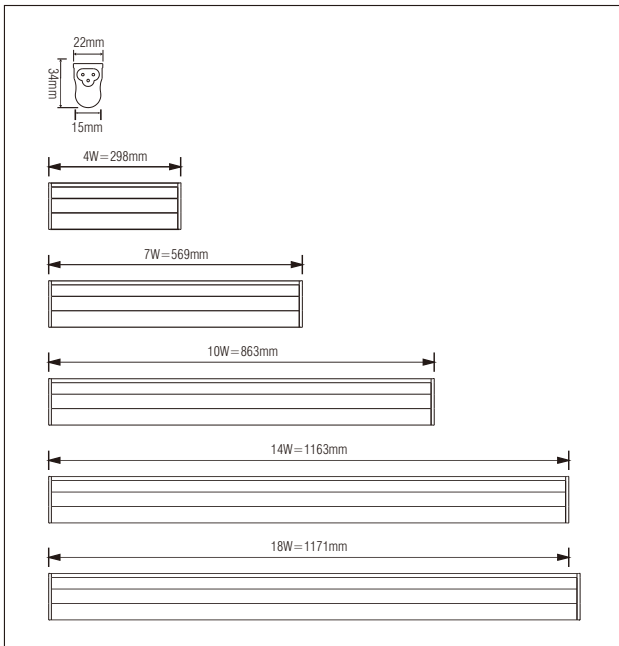
Photometric Data



LED T5GH



new



Specification

- SMD2835 LEDs
- Aluminum housing and PC diffuser
- Anodized surface treatment
- Built-in constant current LED driver
- Linkable
- 20-30% higher lumen

Applications

- Retail and general commercial use

Accessories

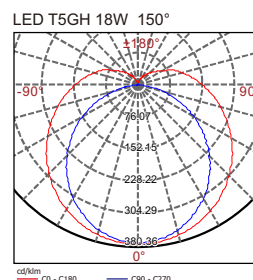
- Maxium connection: 5 PCS connection for 18W, 8 PCS connection for 14W and 12 PCS connection for 10W
- Connection installation and accessories



Model	Lumens	Color temp.	CRI	PF
LED T5GH 4W	400lm	3000K/4000K/6500K	75	0.5
LED T5GH 7W	700lm	3000K/4000K/6500K	75	0.5
LED T5GH 10W	1000lm	3000K/4000K/6500K	75	0.5
LED T5GH 14W	1400lm	3000K/4000K/6500K	75	0.5
LED T5GH 18W	2000lm	3000K/4000K/6500K	75	0.5

QTY/CTN:30PCS	CNT Dimension: 360x220x206mm(LED T5GH 4W)
QTY/CTN:30PCS	CNT Dimension: 631x220x206mm(LED T5GH 7W)
QTY/CTN:30PCS	CNT Dimension: 925x220x206mm(LED T5GH 10W)
QTY/CTN:30PCS	CNT Dimension: 1225x220x206mm(LED T5GH 14W)
QTY/CTN:30PCS	CNT Dimension: 1225x220x206mm(LED T5GH 18W)

Photometric Data



CBD-NLD- 480E



Specification

- SMD2835 LEDs
- Single-ended wiring
- Glass tube and PC lamp holder
- Steel body with white painted finish
- Build - in constant current LED driver

Applications

- Offices, schools, supermarkets, hospitals, railway stations

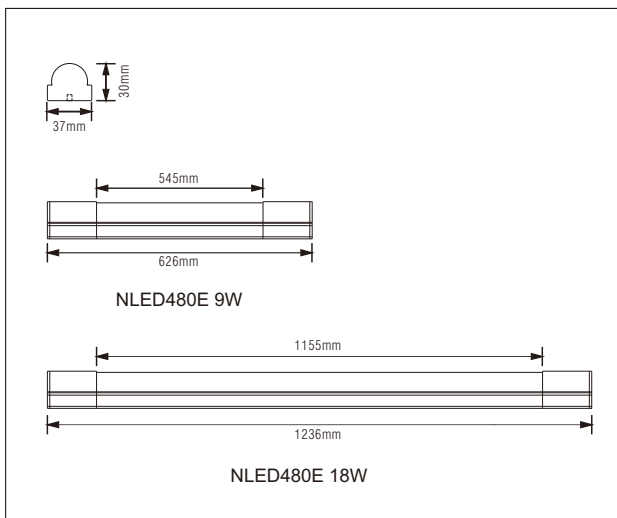
Accessories



Options



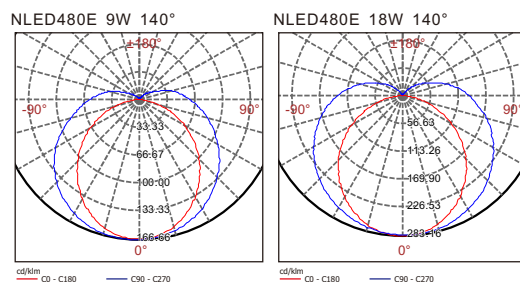
Optional connection hole in the middle of NLED480E batten



Model	Lumens	Color temp.	CRI	PF
NLED480E 9W	750lm	3000K/4000K/6500K	75	0.5
NLED480E 18W	1500lm	3000K/4000K/6500K	75	0.5

QTY/CTN: 20PCS CTN Dimension: 700x185x170mm(NLED480E 9W)
 QTY/CTN: 20PCS CTN Dimension: 1310x185x170mm(NLED480E 18W)

Photometric Data



NLED4810



Specification

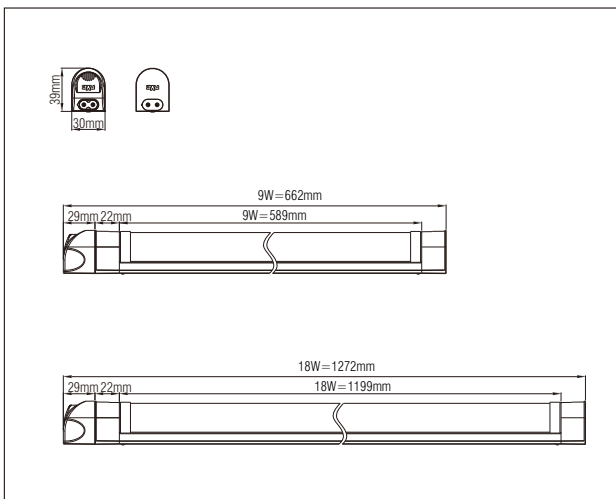
- Folded aluminium body.
- Included: external LED driver, T8 LED tube (without built-in driver) and batten.

Applications

- Schools, shops, stores, workshops, corridors etc.

Accessories

- External drivers, plugs, middle connectors and installation accessories.

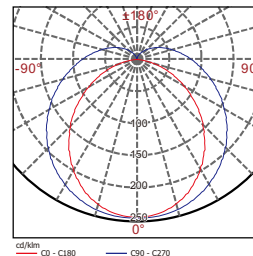


Model	Lumens	Color temp.	CRI	PF
NLED4810 9W	900Lm	2700K/3000K/4000K/6500K	80	0.5
NLED4810 18W	1800Lm	2700K/3000K/4000K/6500K	80	0.5

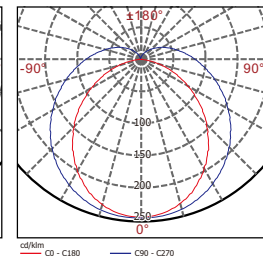
QTY/CTN: 30PCS CTN Dimension: 710X240X240mm(NLED4810 9W)
 QTY/CTN: 30PCS CTN Dimension: 1320X240X240mm(NLED4810 18W)

Photometric Data

NLED4810 9W 150°



NLED4810 18W 150°



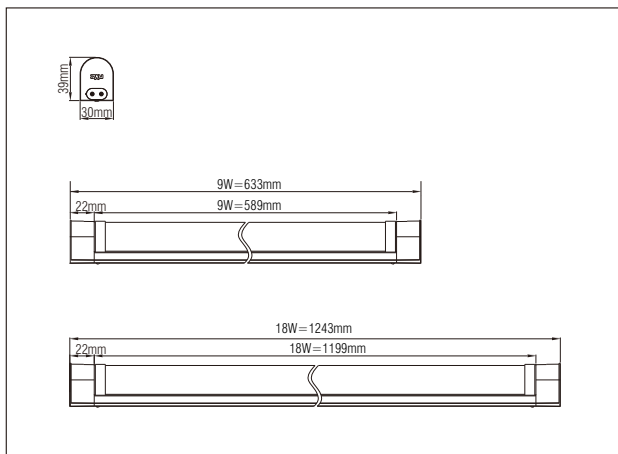
NLED4810A NLED4810E



NLED4810A



NLED4810E



Specification

- Folded aluminium body.
- CBD-NLD- 4810A : LED T8E tube and batten. CBD-NLD- 4810E : LED T8E-II tube and batten.

Applications

- Schools, shops, stores, workshops, corridors etc.

Accessories

- Plugs, middle connectors and installation accessories.

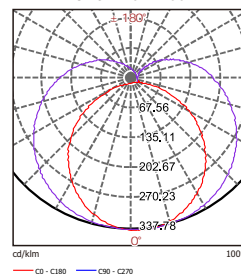


Model	Voltage	Lumens	Color temp.	CRI	PF
NLED4810A 9W	110-240V	940lm	2700K/3000K/4000K/6500K	70	0.9
NLED4810A 18W	110-240V	1840lm	2700K/3000K/4000K/6500K	70	0.9
NLED4810E 9W	220-240V	850lm	3000K/4000K/6500K	70	0.5
NLED4810E 18W	220-240V	1700lm	3000K/4000K/6500K	70	0.5

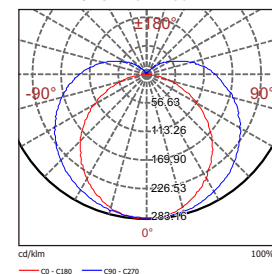
QTY/CTN: 30PCS CTN Dimension: 685X240X250mm(NLED4810A 9W)
 QTY/CTN: 30PCS CTN Dimension: 685X240X250mm(NLED4810E 9W)
 QTY/CTN: 30PCS CTN Dimension: 1295X240X250mm(NLED4810A 18W)
 QTY/CTN: 30PCS CTN Dimension: 1295X240X250mm(NLED4810E 18W)

Photometric Data

NLED4810A 18W 150°



NLED4810E 18W 150°



CBD-DVNL-*



new



Specification

- 10W LEDs, IP 55
- Die cast aluminium frame + PC diffuser
- Built-in constant current LED driver
- Back Plate 200 mm

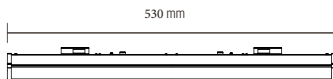
Applications

- mirror.. etc

Color



CBD-DVNL



Photometric Data

CBD-DVNL 10W 120°

Model	Lumens	Color temp.	CRI	PF
CBD-DVNL-10WW	1100Lm	3000K	80	0.9



CBD-NETP-*

*/E (with emergency kit)

Specification

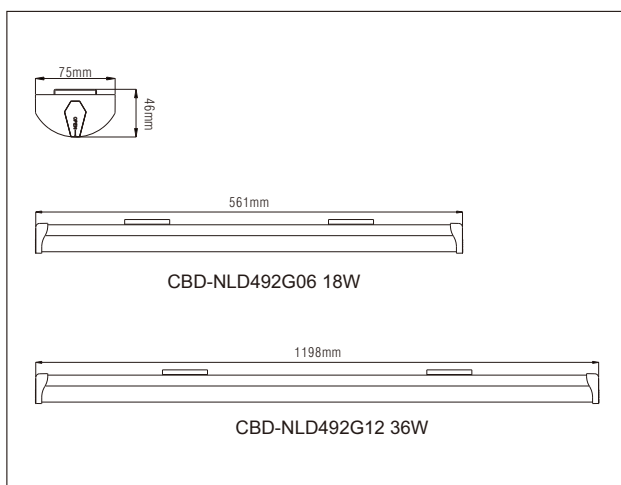
- Tri-Proof Luminar
- Aluminium body and PC diffuser
- Powder coated surface treatment
- Built-in constant current LED driver

Applications

- Supermarkets, offices, shops etc



CBD-NLD- 492G



Model	Lumens	Color temp.	CRI	PF
CBD-NLD492G06 18W	1200Lm	3000K/4000K/6500K	75	0.9
CBD-NLD492G12 36W	2400Lm	3000K/4000K/6500K	75	0.9

Specification

- SMD2835 LEDs
- Steel body and PC diffuser
- Powder coated surface treatment
- Built-in constant current LED driver

Applications

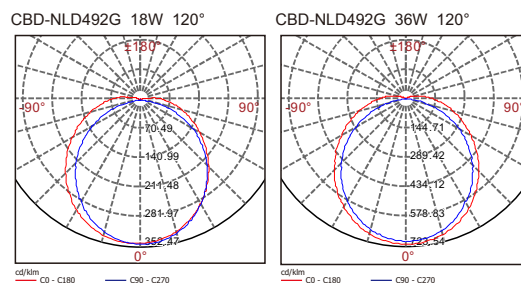
- Supermarkets, offices, shops etc

Color



3 HOURS EMERGENCY POWER SUPPLIES, Model: */E

Photometric Data



NPH*LED



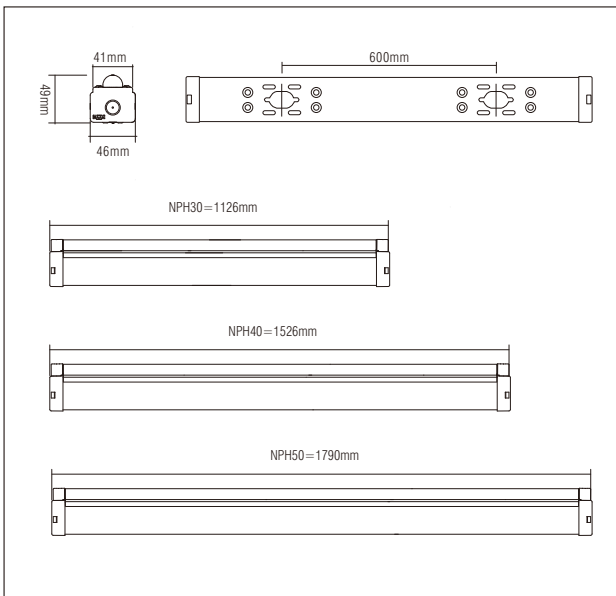
Asymmetric steel reflector



Symmetric steel reflector



Aluminum reflector



Specification

- SMD LEDs
- Steel housing & PC diffuser
- Powder coated surface treatment
- Built-in Osram constant current LED driver

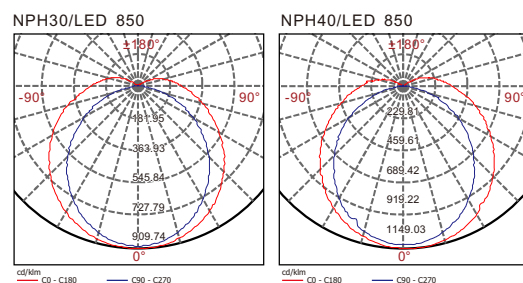
Applications

- Schools, shops, stores, workshops, corridors etc

Model	Lumens	Color temp.	CRI	PF
NPH30/LED/850 30W	3370Lm	5000K	80	0.9
NPH40/LED/850 40W	4600Lm	5000K	80	0.9
NPH50/LED/850 50W	5335Lm	5000K	80	0.9
NPH30/LED/850 55W	5920Lm	5000K	80	0.9
NPH40/LED/850 65W	7450Lm	5000K	80	0.9
NPH50/LED/850 75W	8475Lm	5000K	80	0.9

QTY/CTN: 4PCS CTN Dimension: 1248x155x165mm(NPH30)
 QTY/CTN: 4PCS CTN Dimension: 1548x155x165mm(NPH40)
 QTY/CTN: 4PCS CTN Dimension: 1810x155x165mm(NPH50)

Photometric Data





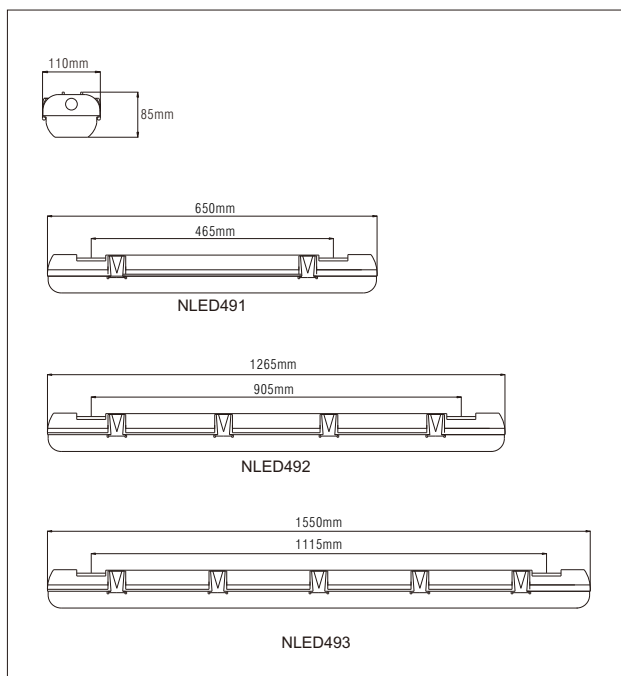
ELITE LED
SOLUTIONS

CBD-DVPR- 49*



new **IP 65**

CBD-DV12-PR-36W
TRI-PROOF LED LIGHTING
 1200 MM, 36 W, 4400 LM
 SURFACE MOUNT OR
 PENDANT
 PLASTIC PC+ALUMINIUM



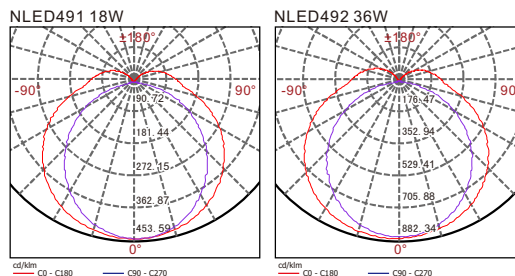
Specification

- SMD LEDs
- PC housing and opal PC diffuser
- Built-in constant current LED driver

Applications

- Parking garages, industrial premises, storage facilities

Photometric Data



Model	Lumens	Color temp.	CRI	PF
NLED491 18W	2000lm	3000K/4000K/6000K	80	0.85
NLED492 36W	3800lm	3000K/4000K/6000K	80	0.85
NLED493 54W	5200lm	3000K/4000K/6000K	80	0.85



ELITE LED SOLUTIONS

LED Industrial Lighting



IP40 High Bay

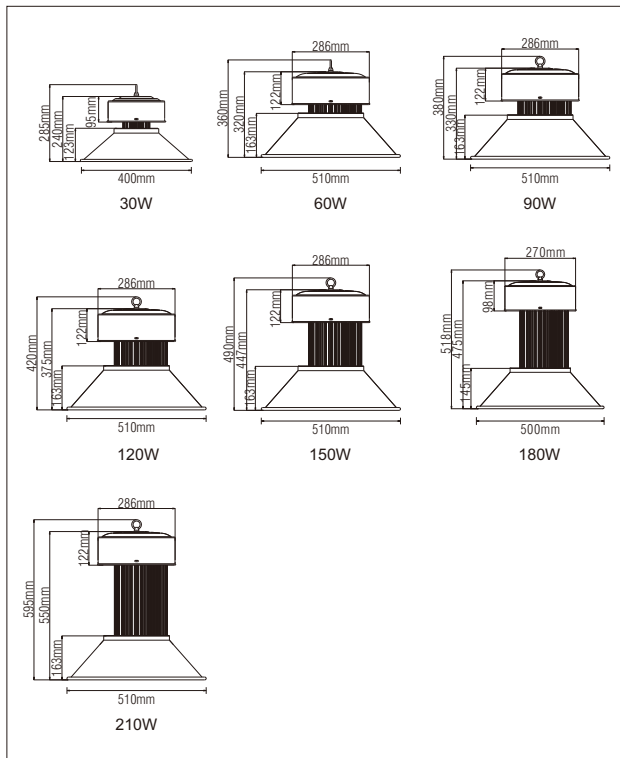


IP66 High Bay



UFO High Bay

NHLED73*



Specification

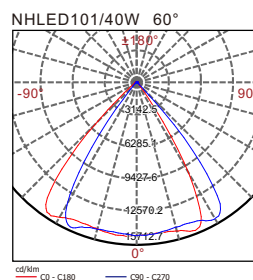
- COB LED
- Die-cast aluminum heat sink
- Aluminum reflector
- Built-in constant current LED driver

Applications

- Garages, warehouses, exhibition halls, stations

Model	Lumens	Color temp.	CRI	PF
NHLED731/30W	3000lm	3000K/4000K/6000K	70	0.95
NHLED732/60W	6000lm	3000K/4000K/6000K	70	0.95
NHLED733/90W	9000lm	3000K/4000K/6000K	70	0.95
NHLED734/120W	12000lm	3000K/4000K/6000K	70	0.95
NHLED735/150W	15000lm	3000K/4000K/6000K	70	0.95
NHLED736/180W	18000lm	3000K/4000K/6000K	70	0.95
NHLED737/210W	21000lm	3000K/4000K/6000K	70	0.95

Photometric Data



NHLED301



new

**IP
65**

Specification

- SMD LEDs
- Die-casting aluminum housing and PC lens for 75W/100W/150W, cold forging aluminum housing and PC lens for 200W
- Powder coated surface treatment
- Built-in constant current LED driver
- 60°and 110° beam angle available

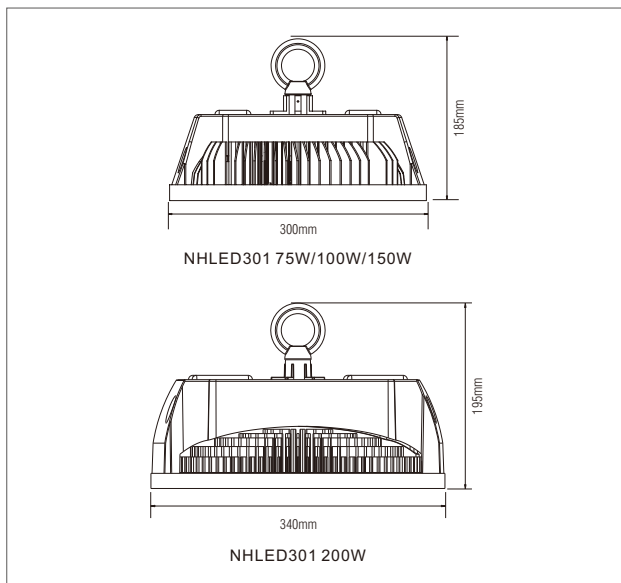
Applications

- Garages, warehouses, exhibition halls, stations

Options

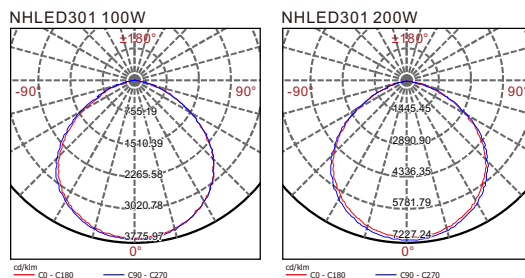
- Philips constant current LED driver for option
- Microwave sensor for option
- Pole mounted and wall mounted installation for option

Color



Model	Lumens	Color temp.	CRI	PF
NHLED301 75W	8000lm	3000K/4000K/5000K/6000K	70	0.95
NHLED301 100W	11500lm	3000K/4000K/5000K/6000K	70	0.95
NHLED301 150W	16500lm	3000K/4000K/5000K/6000K	70	0.95
NHLED301 200W	22000lm	3000K/4000K/5000K/6000K	70	0.95

Photometric Data



CBD-NHLED10*



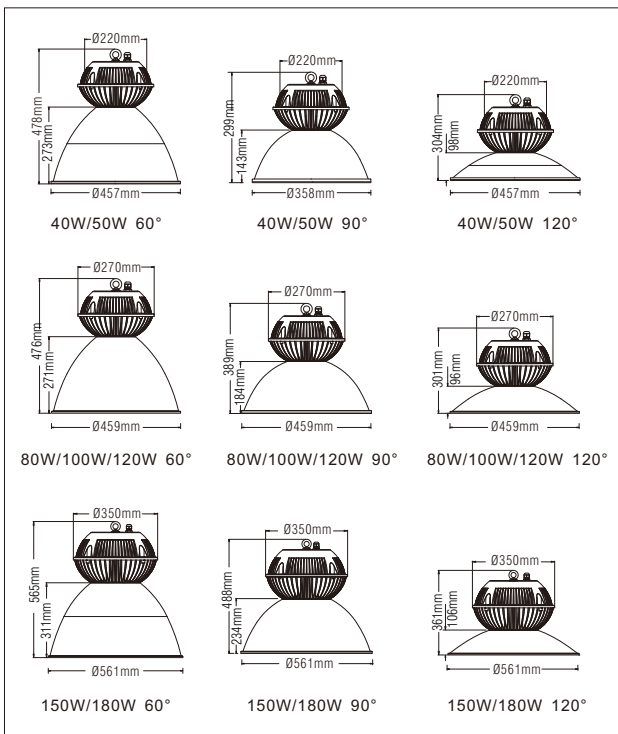
**IP
65**

Specification

- COB LED module sealed in transparent lens for better illuminating and water jet protection
- Aluminum reflector, for maximum efficiency
- Aluminum die-cast gear box with anti-corrosive powder coating finish
- Built-in constant current LED driver
- 60°, 90° and 120° beam angle available

Applications

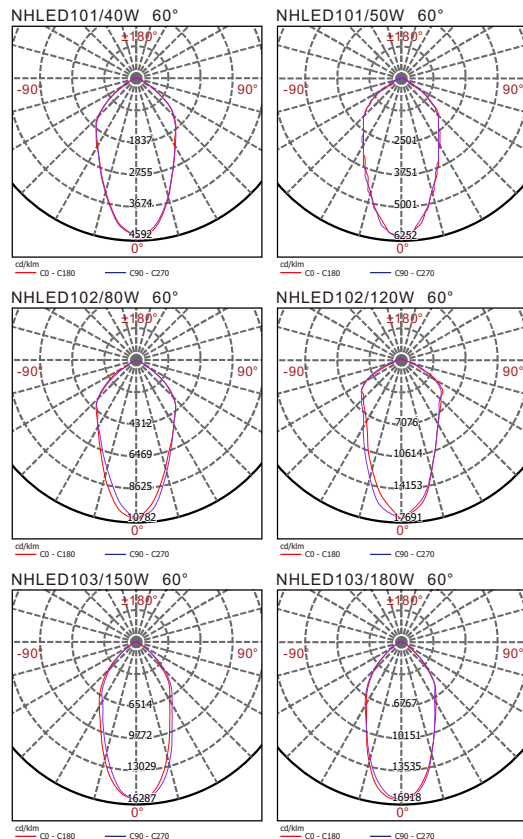
- Garages, warehouses exhibition halls, stations



Color



Photometric Data



Model	Lumens	Color temp.	CRI
NHLED101/40W	4000lm	6000K	75
NHLED101/50W	5000lm	6000K	75
NHLED102/80W	8000lm	6000K	75
NHLED102/100W	10000lm	6000K	75
NHLED102/120W	12000lm	6000K	75
NHLED103/150W	15000lm	6000K	75
NHLED103/180W	18000lm	6000K	75





ELITE LED SOLUTIONS

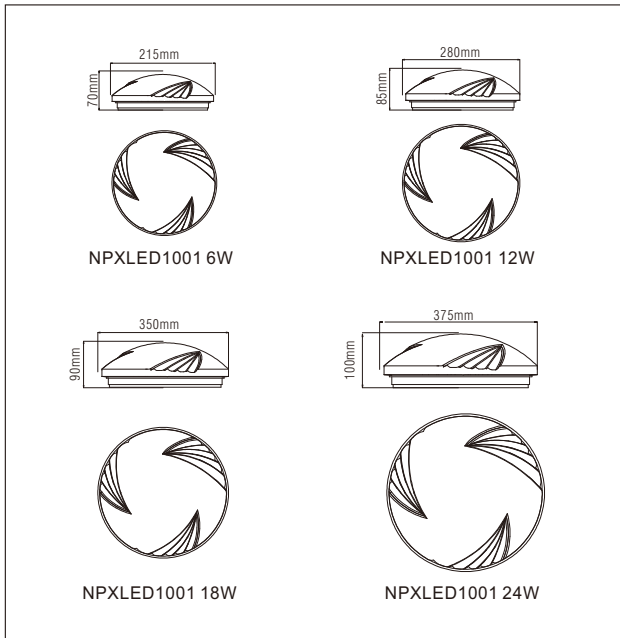
LED Ceiling Lights



Surface mounted



NPXLED1001



Specification

- High quality SMD LEDs
- Steel base and PMMA cover
- Powder coated surface treatment
- Built - in constant current LED driver

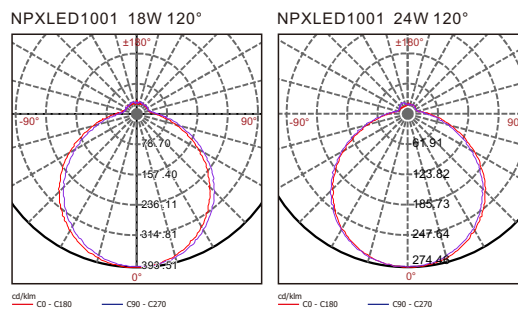
Applications

- Homes, hotels etc

Color



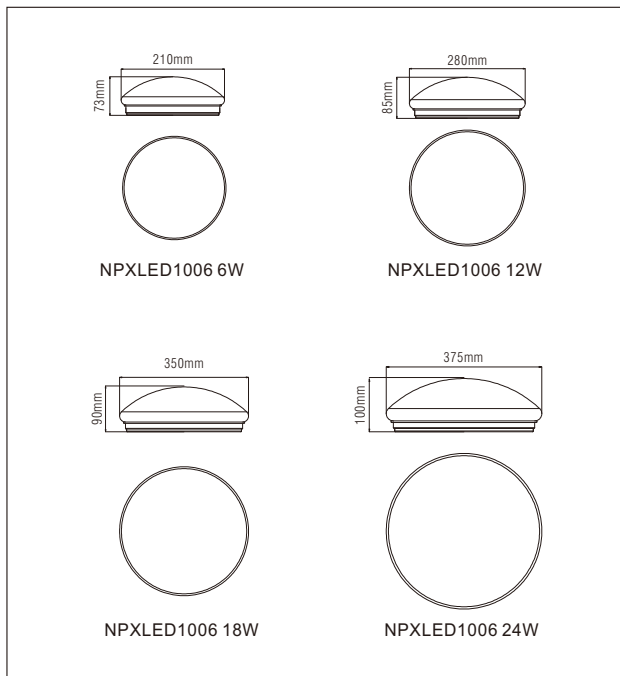
Photometric Date



Model	Lumens	Color temp.	CRI	PF
NPXLED1001 6W	370lm	3000/4000/6500K	70	0.5
NPXLED1001 12W	700lm	3000/4000/6500K	70	0.5
NPXLED1001 18W	1100lm	3000/4000/6500K	70	0.5
NPXLED1001 24W	1400lm	3000/4000/6500K	70	0.5

QTY/CTN: 10PCS CTN Dimension: 530x470x278mm(NPXLED1001 6W)
 QTY/CTN: 10PCS CTN Dimension: 625x495x320mm(NPXLED1001 12W)
 QTY/CTN: 10PCS CTN Dimension: 770x595x395mm(NPXLED1001 18W)
 QTY/CTN: 10PCS CTN Dimension: 860x625x440mm(NPXLED1001 24W)

NPXLED1006



Specification

- High quality SMD LEDs
- Steel base and PMMA cover
- Powder coated surface treatment
- Built - in constant current LED driver

Applications

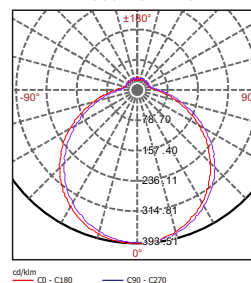
- Homes, hotels etc

Color

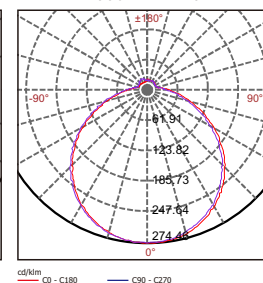


Photometric Data

NPXLED1006 18W 120°



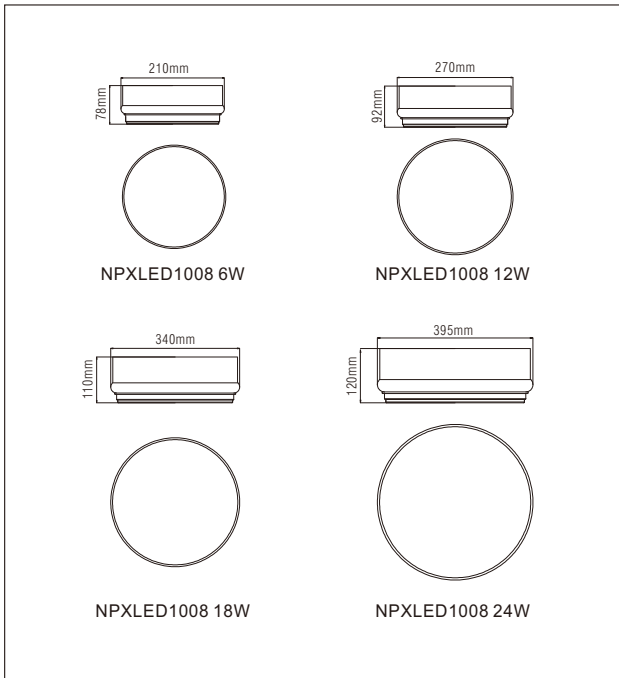
NPXLED1006 24W 120°



Model	Lumens	Color temp.	CRI	PF
NPXLED1006 6W	370lm	3000/4000/6500K	70	0.5
NPXLED1006 12W	700lm	3000/4000/6500K	70	0.5
NPXLED1006 18W	1100lm	3000/4000/6500K	70	0.5
NPXLED1006 24W	1400lm	3000/4000/6500K	70	0.5

QTY/CTN: 10PCS CTN Dimension: 530x470x278mm(NPXLED1006 6W)
 QTY/CTN: 10PCS CTN Dimension: 625x495x320mm(NPXLED1006 12W)
 QTY/CTN: 10PCS CTN Dimension: 770x595x395mm(NPXLED1006 18W)
 QTY/CTN: 10PCS CTN Dimension: 860x625x440mm(NPXLED1006 24W)

NPXLED1008



Specification

- High quality SMD LEDs
- Steel base and PMMA cover
- Powder coated surface treatment
- Built - in constant current LED driver

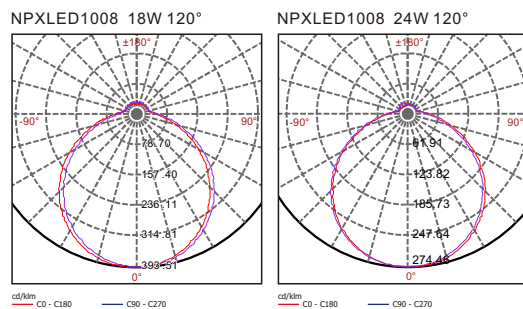
Applications

- Homes, hotels etc

Color



Photometric Date



Model	Lumens	Color temp.	CRI	PF
NPXLED1008 6W	370lm	3000/4000/6500K	70	0.5
NPXLED1008 12W	700lm	3000/4000/6500K	70	0.5
NPXLED1008 18W	1100lm	3000/4000/6500K	70	0.5
NPXLED1008 24W	1400lm	3000/4000/6500K	70	0.5

QTY/CTN: 10PCS CTN Dimension: 530x470x278mm(NPXLED1008 6W)
 QTY/CTN: 10PCS CTN Dimension: 625x495x320mm(NPXLED1008 12W)
 QTY/CTN: 10PCS CTN Dimension: 770x595x395mm(NPXLED1008 18W)
 QTY/CTN: 10PCS CTN Dimension: 860x625x440mm(NPXLED1008 24W)

CBD-NGCL-*/E



CBD-NGCL-01-18W/E

WHITE STEEL FRAME
DIAM: 328, H: 96 MM
*/E Emergency power kit
3 hours included

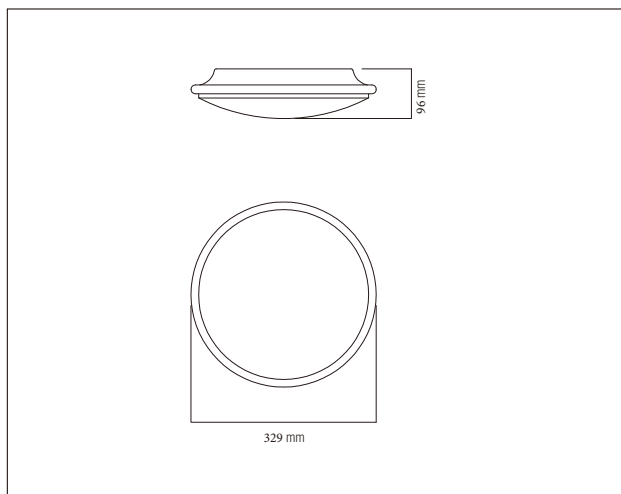


Specification

- High quality SMD LEDs
- Steel body and PMMA diffuser
- White steel frame
- Built -in constant current LED driver

Options

- */E Emergency. 3 hours maintained available
- Available with a micro-wave sensor fitted internally
- Corridor function. Available with dim-to-10% technology
- Colour temperature. 5000K and 3000K



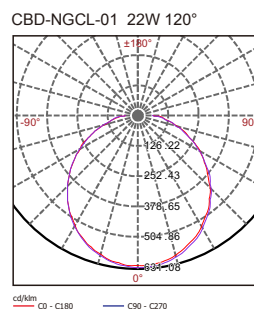
Applications

- Corridors, foyers etc

Color

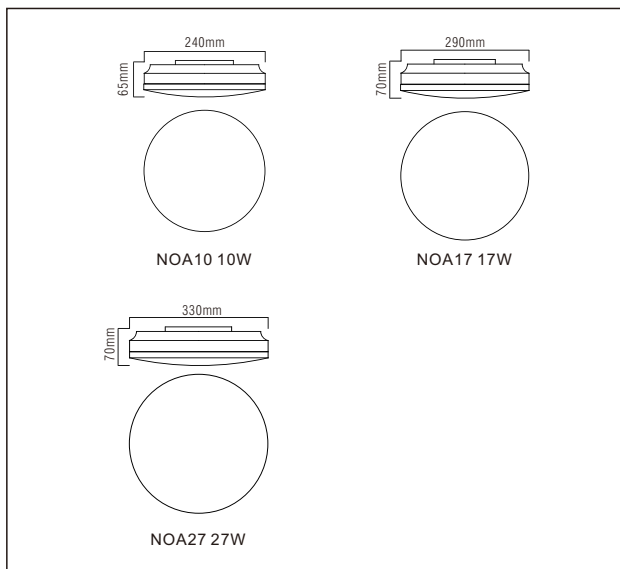


Photometric Data



Model	Lumens	Color temp.	CRI	PF
CBD-NGCL-01 18W	1600lm	3000K/5000K	80	0.96

NOA10 NOA17 NOA27



Model	Lumens	Color temp.	CRI	PF
NOA10 10W	900lm	3000/4000/6000K	80	0.9
NOA17 17W	1800lm	3000/4000/6000K	80	0.9
NOA27 27W	2500lm	3000/4000/6000K	80	0.9

QTY/CTN: 20PCS CTN Dimension: 505x505x415mm(NO A10 10W)
 QTY/CTN: 16PCS CTN Dimension: 625x625x337mm(NO A17 17W)
 QTY/CTN: 12PCS CTN Dimension: 725x520x375mm(NO A27 27W)

Specification

- High quality SMD LEDs
- ABS base and PMMA diffuser
- Opal PMMA for maximum light transmission
- Built - in constant current LED driver

Options

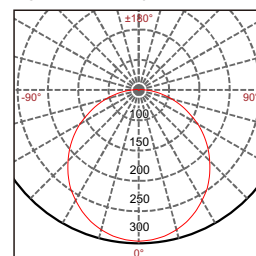
- Microwave sensor for option

Applications

- Homes, hotels etc

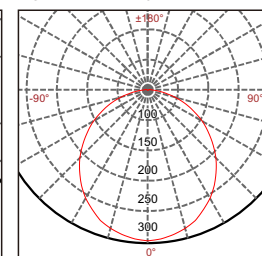
Photometric Date

NOA17 17W 110°



cd/km C0 - C180 C90 - C270

NOA27 27W 110°



cd/km C0 - C180 C90 - C270





ELITE LED
SOLUTIONS

CBD-NLD- Bulkhead



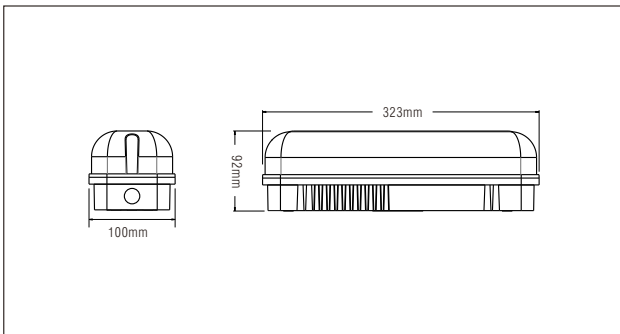
Specification

- High quality SMD LEDs
- Aluminum housing and PC diffuser
- Powder coated surface treatment
- Built-in constant current LED driver

Applications

- Corridors, stairwells, exit routes

Color

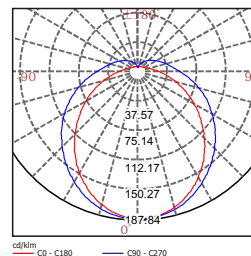


Model	Voltage	Lumens	Color temp.	CRI	PF
CBD-NLD- Bulkhead	220-240V	560Lm	3000K/4000K/6500K	80	0.9
7W CBD-NLD-	110-240V	780Lm	3000K/4000K/6500K	80	0.9
Bulkhead 10W CBD-	110-240V	1560Lm	3000K/4000K/6500K	80	0.9

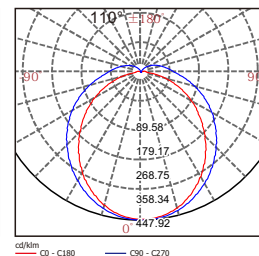
NLD- Bulkhead 20W
QTY/CTN: 10/CS CTN Dimension: 550x345x235mm

Photometric Data

CBD-NLD-BH 10W 110°



CBD-NLD-BH 20W





ELITE LED SOLUTIONS

LED Drivers



Emergency Kit



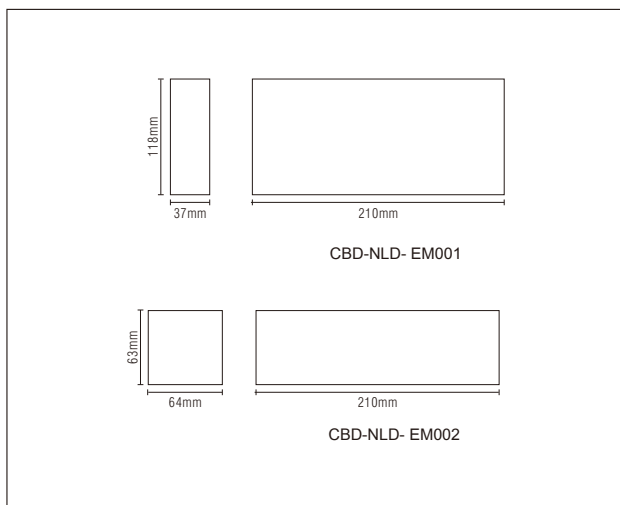
LED driver (12V)



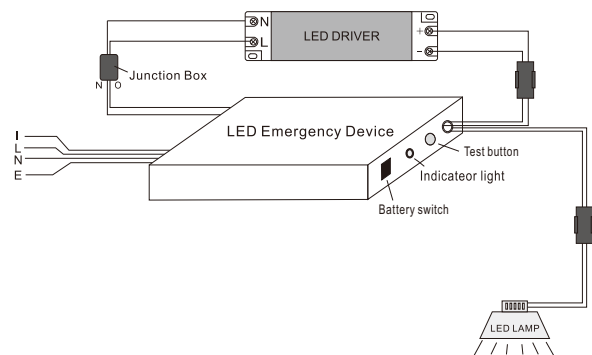
LED driver (24V)

Emergency Kit

220-240V CE IP20



Wiring Diagram



Specification

- Rated input voltage: AC220-240V 50/60 Hz
- Output voltage: 10-60V
- Charge time: 24 hrs
- Discharge time: 180 mins, 90 mins
- Rated to 500 charge discharge cycles
- One emergency supply per lamp
- Steel housing
- NiCd batteries

Note

- A range of emergency kits to provide 1½ or 3 hours of emergency lighting in the event of a mains power failure

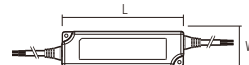
Model	Output Voltage	Charge Time	Discharge Time
CBD-NLD-EM001 5W	10-60V	180mins	24hrs / 180mins
CBD-NLD-EM001 5W	10-60V	90mins	24hrs / 90mins
CBD-NLD-EM001 2.4W	10-60V	180mins	24hrs / 180mins
CBD-NLD-EM001 2.4W	10-60V	90mins	24hrs / 90mins
CBD-NLD-EM002 5W	10-60V	180mins	24hrs / 180mins
CBD-NLD-EM002 5W	10-60V	90mins	24hrs / 90mins
CBD-NLD-EM002 2.4W	10-60V	180mins	24hrs / 180mins
CBD-NLD-EM002 2.4W	10-60V	90mins	24hrs / 90mins

QTY/CTN: 36PCS CTN Dimension: 600x270x190mm(CBD-NLD-EM001)

CBD-NLD--DV110*



CBD-NLD--DV1101



CBD-NLD--DV1102



CBD-NLD--DV1103 CBD-NLD--
DV1104 CBD-NLD--DV1105
CBD-NLD--DV1106



Model	L	W	H
CBD-NLD--DV1101	140mm	32mm	30mm
CBD-NLD--DV1102	145mm	40mm	30mm
CBD-NLD--DV1103	140mm	70mm	45mm
CBD-NLD--DV1104	155mm	70mm	45mm
CBD-NLD--DV1105	200mm	70mm	45mm
CBD-NLD--DV1106	220mm	70mm	45mm

Model	Output voltage	watts	PF
CBD-NLD--DV1101	DC24V	20W	0.5
CBD-NLD--DV1102	DC24V	30W	0.5
CBD-NLD--DV1103	DC24V	60W	0.95
CBD-NLD--DV1104	DC24V	100W	0.95
CBD-NLD--DV1105	DC24V	150W	0.95
CBD-NLD--DV1106	DC24V	200W	0.95
CBD-NLD--DV1106	DC24V	240W	0.95

Specification

- Flame resistant PC housing (20W 30W)
- Aluminum housing (60W 100W 150W 200W 240W)
- Rubber isolated cable
- Silicone filled
- Input voltage: 110-240V
- Output voltage: 24V DC

Applications

- For low voltage outdoor LED fittings

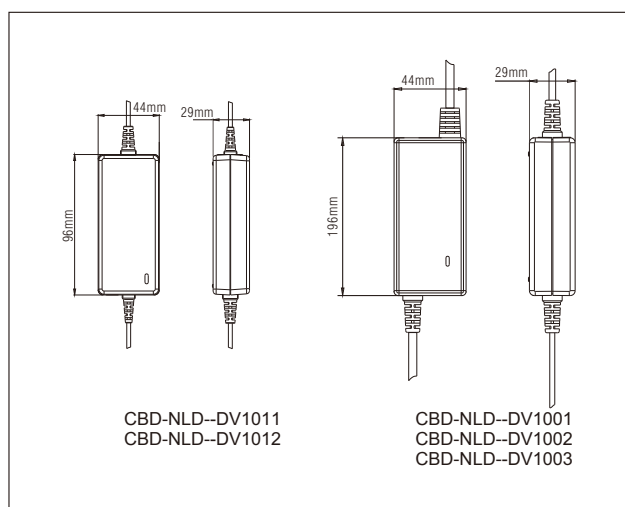
Indoor high-power LED driver (12 V)/(24V)



Supplied with DC connector



Available on request with screw-fixing feature



Model	Output Voltage	Watts	PF
CBD-NLD--DV1001-12W-	12V	12W	0.5
CBD-NLD--DV1001-24W-	12V	24W	0.5
DC12V/2A CBD-NLD--	12V	36W	0.5
DV1003-36W-DC12V/3A CBD-	24V	24W	0.5
NBD-NLD--DV1001-24V-36W-DC24V/1.5A	24V	36W	0.5

QTY/CTN: 40PCS CTN Dimension: 345x285x245mm

Specification

- Input voltage: 110-240V 50/60Hz for 12W, 24W, 36W
- Output voltage: 12V DC/24V DC
- Plastic housing

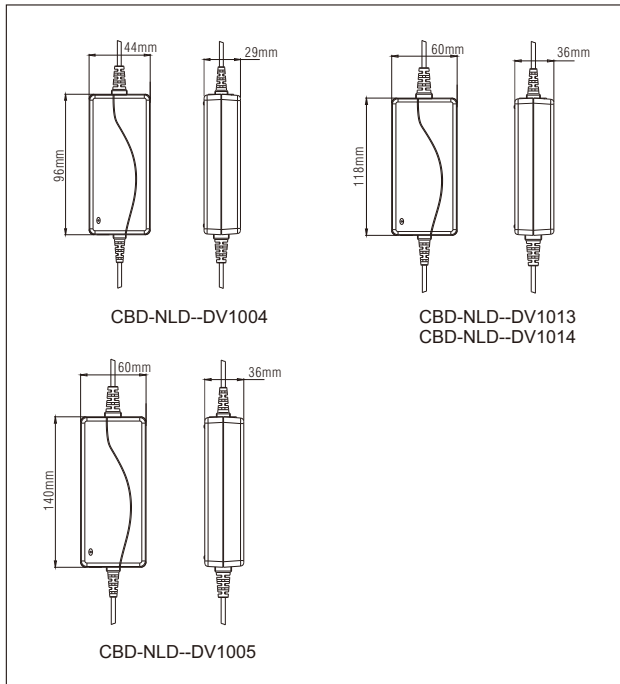
Indoor high-power LED driver (12 V)/(24V)



Supplied with DC connector



Available on request with screw-fixing feature



Model	Output Voltage	Watts	PF
CBD-NLD--DV1004-60W-	12V	60W	0.5
DC12V/5A CBD-NLD--	12V	72W	0.5
DV1005-72W-DC12V/6A CBD-	24V	60W	0.5
NLD--DV1013-60W-DC24V/2.5A	24V	72W	0.5

CBD-NLD--DV1014-72W-
 QTY/CTN: 30PCS CTN Dimension: 360x340x220mm
 DC24V/3A

Specification

- Input voltage: 110-240V 50/60Hz for 60W, 72W
- Output voltage: 12V DC/24V DC
- Plastic housing

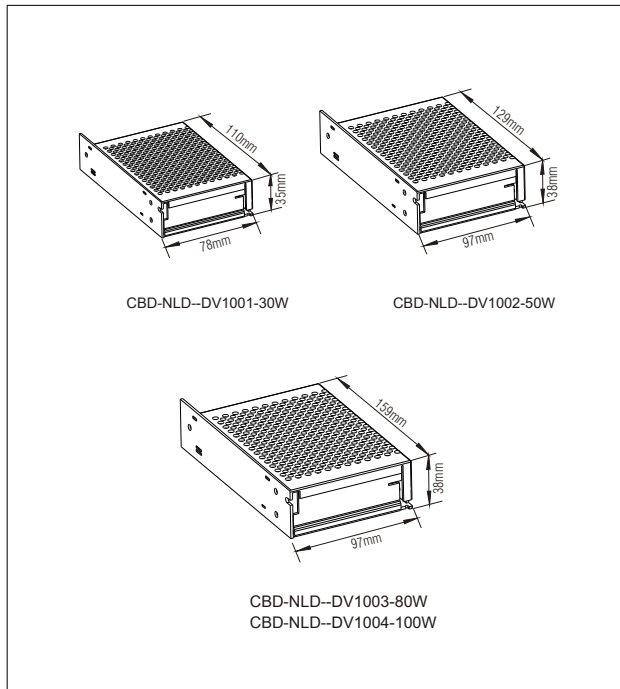
Indoor high-power LED driver (12 V)



CBD-NLD--DV1001-30W



CBD-NLD--DV1002-50W



CBD-NLD--DV1003-80W
CBD-NLD--DV1004-100W

Model	Watts	PF
CBD-NLD--DV1001-30W-DC12V/2.5A	30W	>0.5
CBD-NLD--DV1002-50W-DC12V/4.17A NLED-	50W	>0.5
CBD-NLD--DV1003-80W-DC12V/6.7A	80W	>0.5
CBD-NLD--DV1004-100W-DC12V/8.5A	100W	>0.5

QTY/CTN: 36PCS CTN Dimension: 266x243x260mm(CBD-NLD--DV1001) QTY/CTN: 30PCS CTN Dimension: 325x285x235mm(CBD-NLD- DV1002) QTY/CTN: 20PCS CTN Dimension: 345x220x235mm(CBD-NLD--DV1003) QTY/CTN: 20PCS CTN Dimension: 345x220x235mm(CBD-NLD--DV1004)

Specification

- Input voltage: 110-240V 50/60Hz for 30W, 50W, 80W, 100W
- Output voltage: 12V DC
- Aluminum housing

Indoor high-power LED driver (12 V)



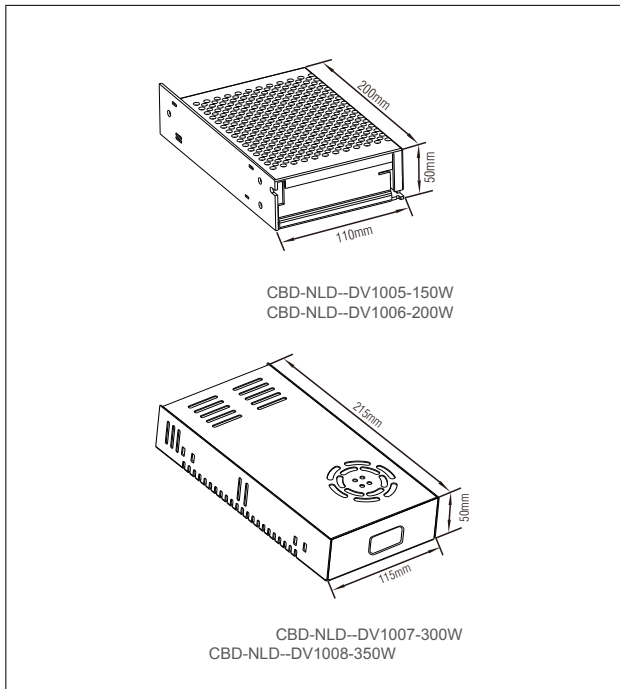
manual adjustment switch

CBD-NLD--DV1005-150W NLED-DV1006-200W



manual adjustment switch

CBD-NLD--DV1007-300W
CBD-NLD--DV1008-350W



CBD-NLD--DV1005-150W
CBD-NLD--DV1006-200W

CBD-NLD--DV1007-300W
CBD-NLD--DV1008-350W

Model	Watts	PF
CBD-NLD--DV1005-150W-DC12V/12.5A	150W	>0.5
CBD-NLD--DV1006-200W-DC12V/16.7A NLED-	200W	>0.5
CBD-NLD--DV1007-300W-DC12V/25A	300W	>0.5
CBD-NLD--DV1008-350W-DC12V/30A	350W	>0.5

QTY/CTN: 12PCS CTN Dimension: 360x220x240mm(CBD-NLD--DV1005) QTY/CTN: 12PCS CTN Dimension: 360x220x240mm(CBD-NLD- DV1006) QTY/CTN: 12PCS CTN Dimension: 380x260x265mm(CBD-NLD--DV1007) QTY/CTN: 12PCS CTN Dimension: 380x260x265mm(CBD-NLD--DV1008)

Specification

- Input voltage: 115V or 230V for 150W, 200W, 300W, 350W
- Output voltage: 12V DC
- 150W, 200W, 300W, 350W driver with a manual switch to select input voltage 115V or 230V
- 300W, 350W with built-in heat sink fan
- Aluminum housing

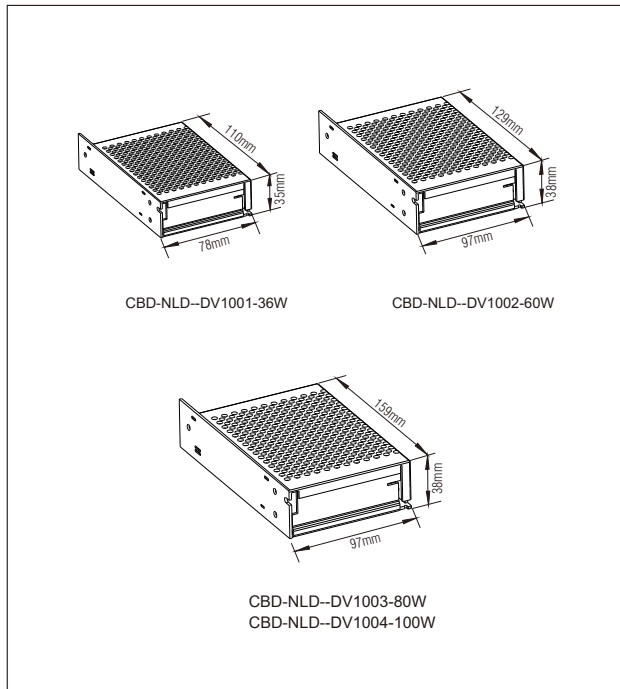
Indoor high-power LED driver (24 V)



CBD-NLD--DV1001-36W



CBD-NLD--DV1002-60W



CBD-NLD--DV1003-80W
CBD-NLD--DV1004-100W

Model	Watts	PF
CBD-NLD--DV1001-36W-DC24V/1.5A	36W	>0.5
CBD-NLD--DV1002-60W-DC24V/2.5A NLED-	60W	>0.5
CBD-NLD--DV1003-80W-DC24V/4.2A	80W	>0.5
CBD-NLD--DV1004-100W-DC24V/4.2A	100W	>0.5

QTY/CTN: 36PCS CTN Dimension: 266x243x260mm(CBD-NLD--DV1001) QTY/CTN: 30PCS CTN Dimension: 325x285x235mm(CBD-NLD- DV1002) QTY/CTN: 20PCS CTN Dimension: 345x220x235mm(CBD-NLD--DV1003) QTY/CTN: 20PCS CTN Dimension: 345x220x235mm(CBD-NLD--DV1004)

Specification

- Input voltage: 110-240V 50/60Hz for 30W, 50W, 80W, 100W
- Output voltage: 24V DC
- Aluminum housing

Indoor high-power LED driver (24 V)



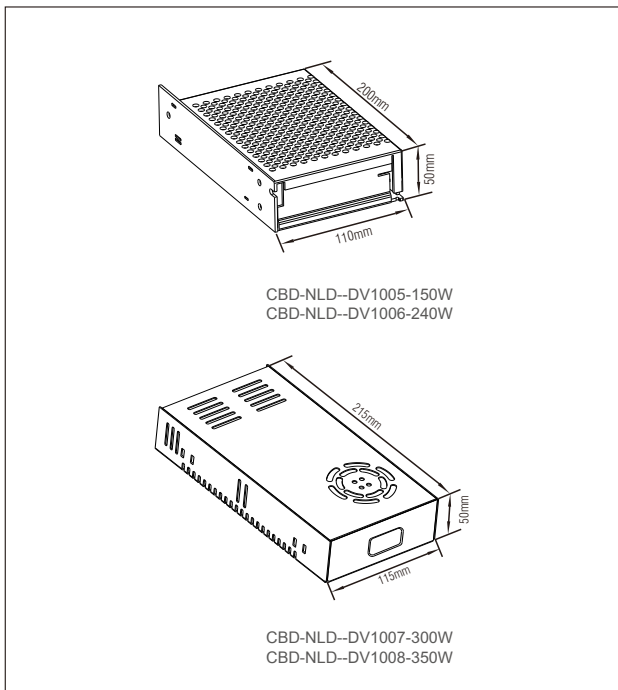
manual adjustment switch

CBD-NLD--DV1005-150W
CBD-NLD--DV1006-240W



manual adjustment switch

CBD-NLD--DV1007-300W



CBD-NLD--DV1005-150W
CBD-NLD--DV1006-240W

CBD-NLD--DV1007-300W
CBD-NLD--DV1008-350W

Model	Watts	PF
CBD-NLD--DV1005-150W-DC24V/6.3A	150W	>0.5
CBD-NLD--DV1006-240W-	240W	>0.5
DC24V/10A CBD-NLD--	300W	>0.5
CBD-NLD--DV1008-350W-DC24V-15A	350W	>0.5

QTY/CTN: 12PCS CTN Dimension: 360x220x240mm(CBD-NLD--DV1005) QTY/CTN: 12PCS CTN Dimension: 360x220x240mm(CBD-NLD- DV1006) QTY/CTN: 12PCS CTN Dimension: 380x260x265mm(CBD-NLD--DV1007) QTY/CTN: 12PCS CTN Dimension: 380x260x265mm(CBD-NLD--DV1008)

Specification

- Input voltage: 115V or 230V for 150W, 200W, 300W, 350W
- Output voltage: 24V DC
- 150W, 200W, 300W, 350W driver with a manual switch to select input voltage 115V or 230V
- 300W, 350W with built-in heat sink fan
- Aluminum housing

ELITE LED SOLUTIONS



ELITE shall have the right to amend and improve the Products for any and all Technical details to provide high quality.

HANGZHOU ELITE SANITARY WARE CO.,LTD
3rd Floor, Building 1, No.75 Beisha East road,
Hangzhou Yuhang Economic and Technological Development Zone,
Yuhang District, Hangzhou, CHINA
Tel: 0571-86102023, 86102026