

# ORIGINAL DESIGN EXCEPTIONAL QUALITY AND Pure Elegance for Modern Living



**ELITE**



# WORLDWIDE CERTIFICATIONS



- ( The Famous Branded Products in China Sanitary Ware Industry )
- ( Guangdong private owned technological enterprise )
- ( ISO9001 System Certification )
- ( CE Certification )
- ( CUPC Certification )
- ( China Certification for Water Conservation Products )
- ( Work Safety Standardization Certification )

# ELITE

## BRIEF INTRODUCTION

HANGZHOU ELITE SANITARY WARE CO.,LTD . is a cooperated company between ELITE SANITARY WARE Industrial Co., Ltd in Hangzhou City, China and Elite Kitchen & Bath Products, Inc. in Hong Kong. HANGZHOU ELITE SANITARY WARE CO.,LTD .is manufactures high end showroom quality stainless steel sinks, faucets, shower drains and bath accessories.

Hangzhou Elite is located at Shuikou Town, Kaping City, China. The city is famous for its prolific number of plumbing industries and is known as the moniker of “kingdom of sanitary fittings and plumbing wares of China.” Our factory covers an area of 30,000 square meters is equipped with modern European machinery and used latest technology during the manufacturing process. Inspired by the western traditional design philosophy, Elite has created its classic style of elegant simplicity and durability combining with modern elements to merge into daily life.

With 25 years of experience in developing designs, manufacturing, wholesaling, and managing, Elite have been outstanding as a leading company offering the best quality products and services at a competitive rate. Elite is the pioneer to get ISO9001 and UPC certified in the industry, and our products export to Europe, America, and East and South Asia. We have also developed a nationwide market network in China.

Elite is a brand that embodies the spirit of our company: Delicacy, Astounding Workmanship, Exquisiteness, Innovation, and Everlasting Reliability. It represents our pride and confidence in serving our customers to the best of our ability.

The motto of Elite is to endeavor to perfect your life. We are always looking forward to cooperating with you in business!



Manufactory in China





# CONTENTS

<b>Handmade Sinks</b>	—————	21-60
<b>Domestic Style Sinks</b>	—————	61-64
<b>European Style Sinks</b>	—————	65-74
<b>American Style Sinks</b>	—————	75-78
<b>Custom Accessories</b>	—————	79-82

Senses

**Calm**

simple

**Uncompromising**

**Easy**





Elite's sinks come in a variety of designs and styles to suit every need, and feature high capacity bowls, narrow rims, straight edges, and smooth surfaces.

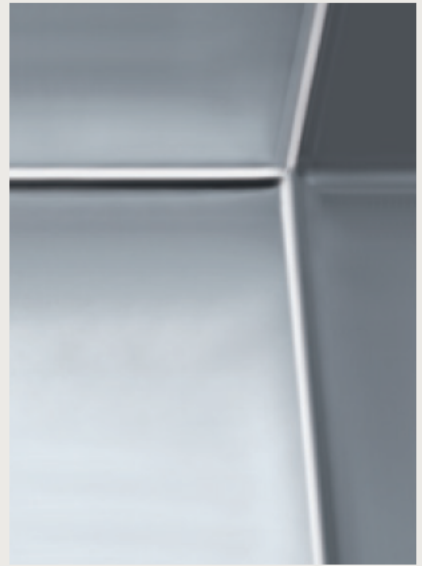
Cold working is used to create high levels of strength and to improve smoothness and straightness, under the condition of not changing the properties of stainless steel. To ensure quality and to protect environment, no later period level processing is used. Small radius corners are made to increase the usable capacity of sink basin.



Top moun ype

Undermoun ype





# GREEN · HEALTHY

Enjoy the pleasure of a green and healthy kitchen



The design idea of innovation carries on the promotion of the modern fashion idea technological, and introduces the element of Hi-Tech to make the most perfect and practical kitchen sink.

#### Material

SUS304 stainless steel is the top standard most widely used material. It is made of at least 8% nickel and 18% chromium and is durable and resistant to corrosion.

#### Surface Finish

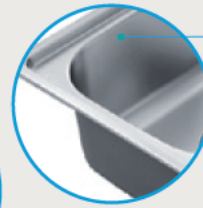
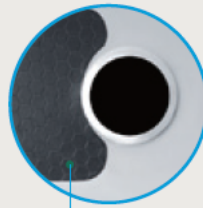
Elegant satin polished finish creates an enduring easy-to-clean surface that is impervious to water stains and mineral deposits.

#### Channel Drainage Technology / Drain Placement

4 diagonal channel grooves allow for efficient and proper water flow to drain. Rear drain placement creates a more seamless sink bottom and maximizes functional cabinet space under the sink.

#### Finish Technology

Even stretching and electrical resistance during production ensure durability, performance, and longer life. Seamless no air holes, no welding marks.



#### Safe overflow holes

Large overflow holes effectively divert water to the drain, equipped with durable overflow washers to form a watertight seal and ensure water conservation.

#### Strainer Parts

Strainer basket and body are made from SUS304 stainless steel. The double drain design helps catch food waste more efficiently and prevents clogs. PP drain pipes are durable and are sealed to ensure fast draining and prevent fractures and clogs. Strainers are easy to install and easy to use.

#### Sound Deadening Insulation

Sinks are equipped with sound absorption pads underneath the bowl to soften the noise of water dripping into the sink and an environment-friendly layer of anti-seepage and anti-condensation coating to prevent water droplet formation when cold food is placed in the sink.

#### Designs and Styles

Sinks come in a variety of designs and styles to suit every need and feature high capacity bowls, narrow rims, straight edges, and smooth surfaces. Sink overflows are designed to enhance the function of the overflow drain.

# THE TOP LEVEL KITCHEN ARTS





## Kitchen Maintenance And Cleaning

- Washing the gutter usually. When not be used gutter must be dried
- The effluents produce deposits. Under these usual conditions calcium carbonate can get rid of these deposits. Then wash by water
- Do not leave the water on the gutter surface. The water with high Fe content maybe produce permanent stains on the gutter surface
- Do not pour carbon steel or cast iron kitchenware on the gutter
- Do not pour the rubber washing machine wash sponge or wash machine on the gutter
- The home appliances containing bleach or food will be harmful to the gutter
- The gas or steam with bleach or chemicals scour will be harmful to the gutter
- If you drop the pharmaceuticals or dermal medicine on the gutter please wash by water immediately
- Do not use the scour containing sulfur or hydrochloric
- Do not pour the pickled beans sauce mustard or other food containing salt on the gutter
- Do not use the rubber washing machine on the gutter
- Do not regard the gutter as cutting board
- Do not pour the oils containing carbon steel materials or rusting things on gutters
- Wrong use methods or wash with impure water will be harmful to the gutters

### Note

- The staining of gutters caused by the rusting water will disappear after a period of time
- If the dents caused on the gutter during the delivery or installation please contact the suppliers
- The finger stains can be get rid of by usual scour

# PRODUCT INDEX

## 2



**24248**  
P 103



**3238**  
P 95



**BS131507**  
P 55



**CH321**  
P 111



**24258**  
P 103



**3239**  
P 95



**BS161609**  
P 55



**CH322**  
P 125



**24268**  
P 103



**3240**  
P 95



**BSQ121508**  
P 56



**CH323**  
P 111



**24278**  
P 104



**3250**  
P 96



**BSQ131610**  
P 56



**CH324**  
P 111



**24288**  
P 104



**331616**  
P 149



**BST1515**  
P 143



**CH325**  
P 125



**251610**  
P 101



**4241**  
P 96



**C8235**  
P 93



**CH326**  
P 125



**288**  
P 102



**4242**  
P 96



**CE121L**  
P 105



**CH327**  
P 115



**298**  
P 102



**4243**  
P 97



**CE121R**  
P 105



**CH328**  
P 126

## 3



**301616L**  
P 148



**AST102**  
P 143



**CE122L**  
P 105



**CH329**  
P 126



**301616R**  
P 148



**AST103**  
P 143



**CE122R**  
P 106



**CH330**  
P 126



**308**  
P 102



**ASU102**  
P 150



**CE125**  
P 106



**CH331**  
P 123



**3233**  
P 94



**ASU103**  
P 150



**CE126**  
P 106



**CH332**  
P 127



**3235**  
P 93



**ASU2816**  
P 148



**CE128**  
P 107



**CH333**  
P 112



**3236**  
P 94



**BS121307**  
P 55



**CE129**  
P 107



**CH336**  
P 127



**3237**  
P 94



**BS1215**  
P 150



**CE136**  
P 107



**CH337**  
P 127

	<b>CH338</b> P 112		<b>CH371</b> P 78		<b>CH390</b> P 129		<b>CK237</b> P 110
	<b>CH339</b> P 112		<b>CH372</b> P 79		<b>CH391</b> P 130		<b>D</b> <b>DAF3320</b> P 133
	<b>CH350</b> P 128		<b>CH375</b> P 80		<b>CH392</b> P 130		<b>DAF3320C</b> P 134
	<b>CH351</b> P 115		<b>CH376</b> P 82		<b>CK220</b> P 108		<b>DH836</b> P 130
	<b>CH352</b> P 115		<b>CH377</b> P 85		<b>CK221</b> P 108		<b>DSC301717</b> P 136
	<b>CH353</b> P 113		<b>CH378</b> P 86		<b>CK222</b> P 108		<b>DSQ241607</b> P 63
	<b>CH354</b> P 113		<b>CH379</b> P 129		<b>CK225</b> P 109		<b>DSQ241609</b> P 63
	<b>CH355</b> P 113		<b>CH380</b> P 124		<b>CK227</b> P 109		<b>DSQ271616</b> P 64
	<b>CH357</b> P 128		<b>CH381</b> P 87		<b>CK228</b> P 109		<b>DSQ2816</b> P 63
	<b>CH358</b> P 128		<b>CH382</b> P 88		<b>CK229</b> P 71		<b>DSQ301515</b> P 64
	<b>CH360</b> P 114		<b>CH383</b> P 89		<b>CK230</b> P 110		<b>DSQ3116</b> P 66
	<b>CH363</b> P 114		<b>CH386</b> P 129		<b>CK233</b> P 72		<b>DSQ311815</b> P 64
	<b>CH365</b> P 75		<b>CH387</b> P 90		<b>CK234</b> P 73		<b>DSU1916</b> P 146
	<b>CH366</b> P 76		<b>CH388</b> P 91		<b>CK235</b> P 74		<b>DSU2517</b> P 145
	<b>CH368</b> P 77		<b>CH389</b> P 92		<b>CK236</b> P 110		<b>DSU3017</b> P 146

# PRODUCT INDEX



**DSU3018**  
P 138



**ESQ270909**  
P 67



**F6938**  
P 26



**GTB8848R**  
P 120



**DSU301916R**  
P 147



**ESQ280900**  
P 67



**F7237R**  
P 26



**GTW11646R**  
P 122



**DSU3118**  
P 140



**ESQ310809L**  
P 68



**F7240**  
P 27



**H**  
**HM10050**  
P 46



**DSU4120**  
P 142



**ESQ310809R**  
P 68



**F7334**  
P 28



**HM12054**  
P 44



**E**  
**ES201809**  
P 151



**ESQ310900**  
P 68



**F7339**  
P 29



**HM13050**  
P 46



**ES231609**  
P 151



**F**  
**F4040**  
P 39



**F7439R**  
P 30



**HM4343**  
P 48



**ES281609**  
P 152



**F4041**  
P 39



**F7640**  
P 31



**HM7546**  
P 48



**ES281616**  
P 153



**F4041R10**  
P 39



**F7722R**  
P 32



**HM7947**  
P 48



**ES301816L**  
P 154



**F4537R**  
P 21



**F7740R**  
P 34



**HM8045**  
P 49



**ES301816R**  
P 154



**F5040**  
P 40



**F8138**  
P 34



**HM8446**  
P 49



**ES311814L**  
P 156



**F5040R10**  
P 40



**F8238**  
P 36



**HM8548**  
P 49



**ES311814R**  
P 156



**F5240**  
P 22



**F8537R**  
P 36



**HM8787**  
P 47



**ES331814L**  
P 158



**F6239**  
P 23



**F9240**  
P 37



**HMR10050**  
P 46



**ES331814R**  
P 158



**F6639**  
P 24



**G**  
**G8235**  
P 93



**HMR10060**  
P 52



**ESQ240900**  
P 67



**F6937R**  
P 21



**GTB12050R**  
P 121



**HM11650**  
P 45





**HMR12050**  
P 43



**SRU301616L**  
P 61



**HMR3220**  
P 50



**SRU301616R**  
P 61



**HMR5244**  
P 50



**SRU311710**  
P 59



**HMR6847**  
P 50



**SRU331616**  
P 60



**HMR7640**  
P 51



**X**  
**XYP600**  
P 159



**HMR8048**  
P 51



**XYP900**  
P 159



**HMR8644**  
P 51



**XYP900DB**  
P 159



**HMR8646**  
P 52



**XYP1200**  
P 160



**HMR8647**  
P 52



**XYP1200DB**  
P 160



**S**  
**S3034**  
P 97



**S3440**  
P 97



**S4040**  
P 98



**S5240**  
P 98

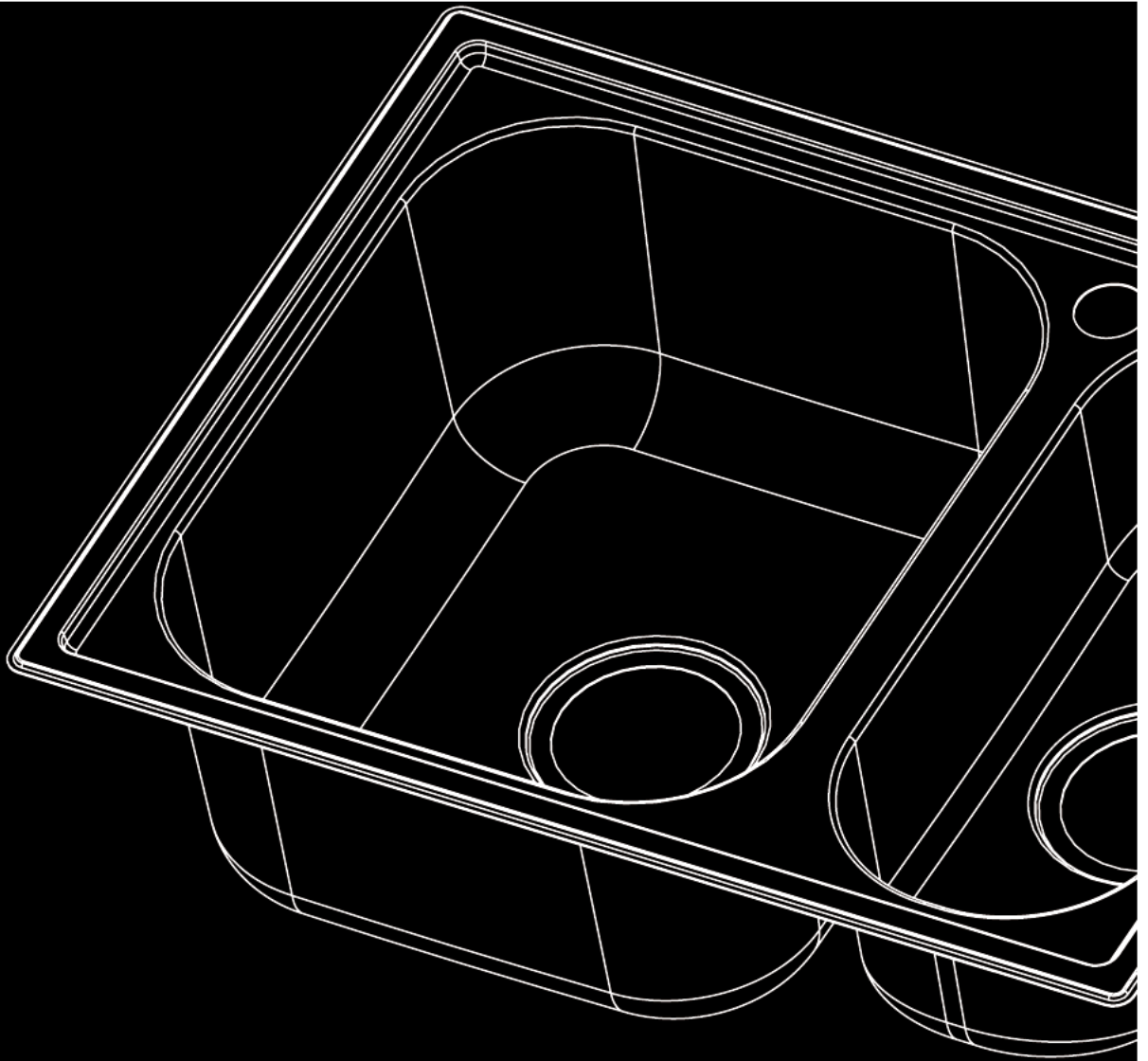


**SRU201609**  
P 58



**SRU251610**  
P 58





Known for long-lasting quality at an honest price, **Elite** brings a beauty to the decor of your home.

**Elite** incorporate the best materials and design concepts to ensure functionality and performance in your kitchen. **Elite** knows what you need to create a comfortable and enjoyable living space.

# Handmade Sinks





# Luxury

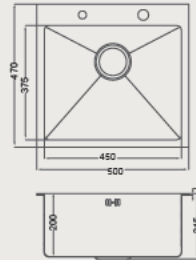
The surface and edge processing is very exquisite, coupled with the perfect details, showing the one and only luxury feel for you.  
The classic elegant design and high quality materials and crafts, each product is a work of art.  
-The eternal design embodies aesthetic concept, based on the concept of design from life, to bring you the highest life experience.



## Model: F4537R

1.2mm SUS304 Stainless steel / satin polish  
 Cutout dimensions: Template with actual product

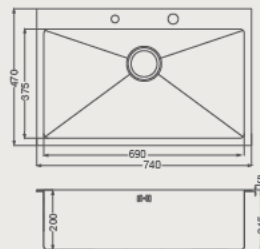
Dimensions: 500X470  
 Basin dimensions: 450X375



## Model: F6937R

1.2mm SUS304 Stainless steel / satin polish  
 Cutout dimensions: Template with actual product

Dimensions: 740X470  
 Basin dimensions: 690X375

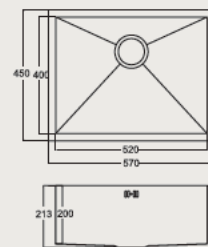




## Model: F5240

1.2mm SUS304 Stainless steel / satin polish  
Cutout dimensions: Template with actual product

Dimensions: 570X450  
Basin dimensions: 520X400



### Optional Accessories



B-08

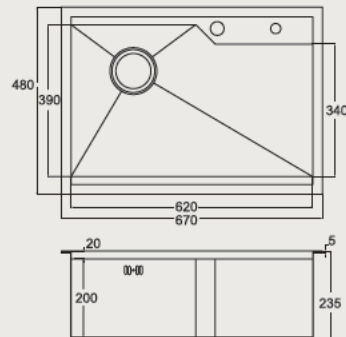
Drain Board



## Model: F6239

1.2mm SUS304 Stainless steel / satin polish  
 Cutout dimensions: Template with actual product

Dimensions: 670X480  
 Basin dimensions: 620X390



### Optional Accessories



8308-A  
 Soap dispenser



B-11  
 Drain Board



B-16  
 Small Sink



B-16A  
 Small Sink

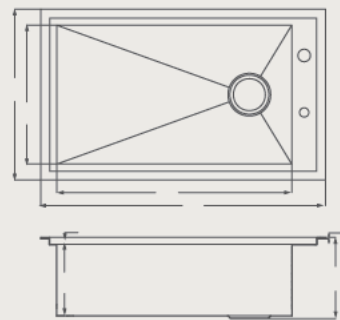




## Model: F6639

1.2mm SUS304 Stainless steel / satin polish  
Cutout dimensions: Template with actual product

Dimensions: 800X480  
Basin dimensions: 660X390



### Optional Accessories



8308-A

Soap dispenser



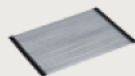
B-16

Small Sink



B-16A

Small Sink



G4231

Drain Mat



CB-4228B

Cutting Board

# Enjoyable

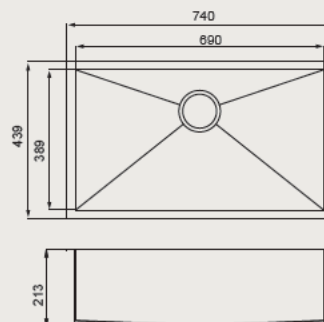
Research and product innovation is a painstaking course, creating something that a mature workforce goes back to enjoy.



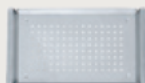
## Model: F6938

1.2mm SUS304 Stainless steel / satin polish  
 Cutout dimensions: Template with actual product

Dimensions: 740X439  
 Basin dimensions: 690X389



### Optional Accessories



B-11  
 Drain Board

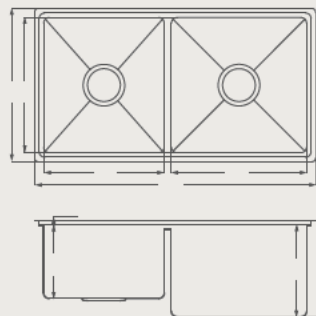


COL-120  
 Stainless Steel Colander

## Model: F7237R

1.2mm SUS304 Stainless steel / satin polish  
 Cutout dimensions: Template with actual product

Dimensions: 770X420  
 Basin dimensions: 330X370 370X370

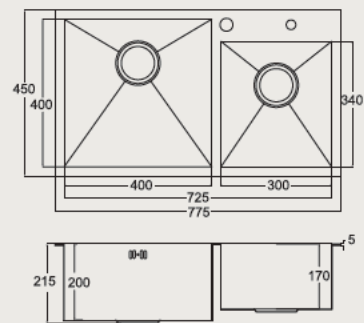




## Model: F7240

1.2mm SUS304 Stainless steel / satin polish  
 Cutout dimensions: Template with actual product

Dimensions: 775X450  
 Basin dimensions: 400X400 300X340



### Optional Accessories



B-08  
 Drain Board



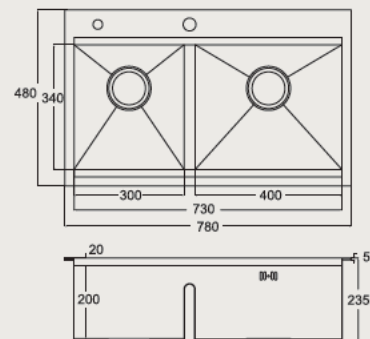
CB-3627B  
 Cutting board



## Model: F7334

1.2mm SUS304 Stainless steel / satin polish  
 Cutout dimensions: Template with actual product

Dimensions: 780X480  
 Basin dimensions: 300X340 400X340

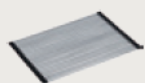


### Optional Accessories



B-15

Drain Board



G3731

Drain Mat



CB-3627B

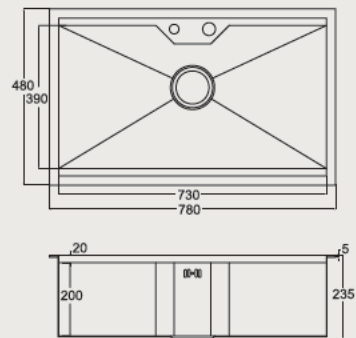
Cutting board



## Model: F7339

1.2mm SUS304 Stainless steel / satin polish  
 Cutout dimensions: Template with actual product

Dimensions: 780X480  
 Basin dimensions: 730X390



### Optional Accessories



B-16A  
 Small Sink



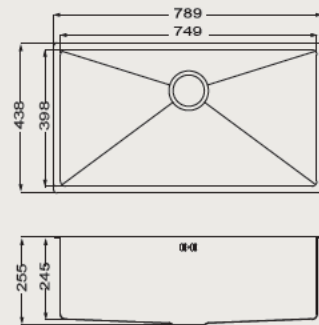
CB-4228B  
 Cutting board



## Model: F7439R

1.2mm SUS304 Stainless steel / satin polish  
 Cutout dimensions: Template with actual product

Dimensions: 789X438  
 Basin dimensions: 749X398



### Optional Accessories



B-08

Drain Board



COL-120

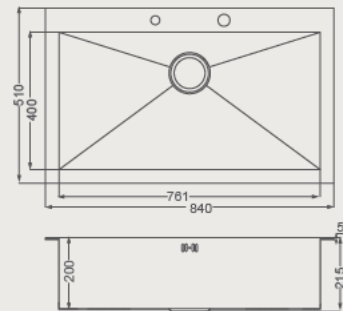
Stainless Steel Colander



## Model: F7640

1.2mm SUS304 Stainless steel / satin polish  
 Cutout dimensions: Template with actual product

Dimensions: 840X510  
 Basin dimensions: 761X400



### Optional Accessories



B-08

Drain Board

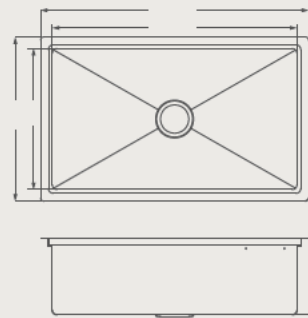




## Model: F7722R

1.2mm SUS304 Stainless steel / satin polish  
 Cutout dimensions: Template with actual product

Dimensions: 852X522  
 Basin dimensions: 778X448



### Optional Accessories



2010

Drain basket



B-09

Drain Board



BK710

Drain basket



# satisfy

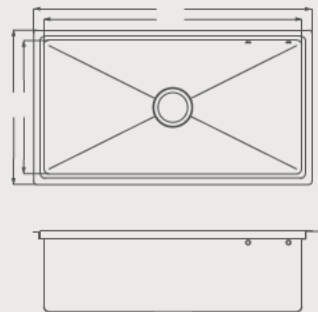
We deeply understand and have our  
 insights in pursuing the perfect  
 design details in the only way to  
 satisfy our customers



## Model: F7740R

1.2mm SUS304 Stainless steel / satin polish  
 Cutout dimensions: Template with actual product

Dimensions: 842X467  
 Basin dimensions: 778X403



### Optional Accessories



2010

Drain basket



B-11

Drain Board



T-4216

Stainless steel  
knife shelf



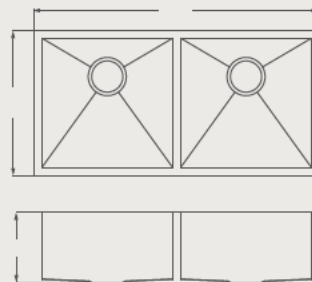
BK710

Drain basket

## Model: F8138

1.2mm SUS304 Stainless steel / satin polish  
 Cutout dimensions: Template with actual product

Dimensions: 863X439  
 Basin dimensions: 394X389 394X389



### 可选配件 Optional Accessories



B-11

Drain Board



COL-120

Stainless Steel Colander



# life style

The clean design characterized by high personality and carefully planned details reflects the productive philosophy of a company able to interpret and comply with current lifestyle.

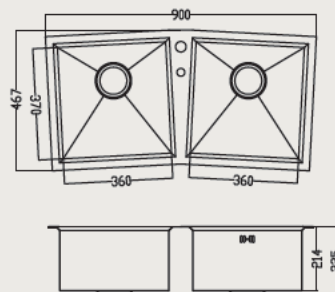




## Model: F8238

1.2mm SUS304 Stainless steel / satin polish  
 Cutout dimensions: Template with actual product

Dimensions: 900X460  
 Basin dimensions: 360X370 360X370



### Optional Accessories



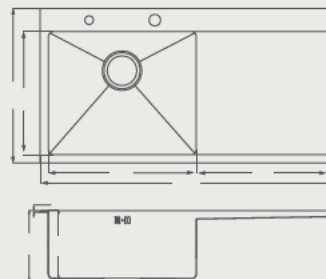
B-08

Drain Board

## Model: F8537R

1.2mm SUS304 Stainless steel / satin polish  
 Cutout dimensions: Template with actual product

Dimensions: 900X470  
 Basin dimensions: 450X375

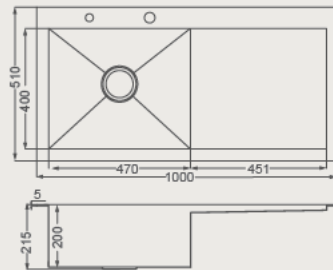




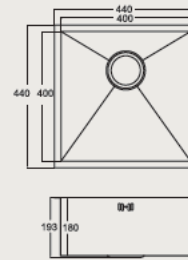
## Model: F9240

1.2mm SUS304 Stainless steel / satin polish  
Cutout dimensions: Template with actual product

Dimensions: 1000X510  
Basin dimensions: 470X400



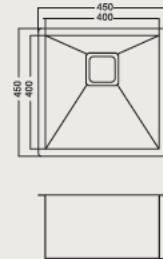




## Model: F4040

1.2mm SUS304 Stainless steel / satin polish  
Cutout dimensions: Template with actual product

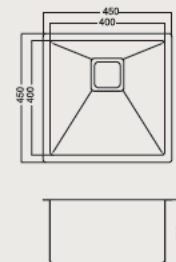
Dimensions: 440X440  
Basin dimensions: 400X400



## Model: F4041

1.2mm SUS304 Stainless steel / satin polish  
Cutout dimensions: Template with actual product

Dimensions: 450X450  
Basin dimensions: 400X400

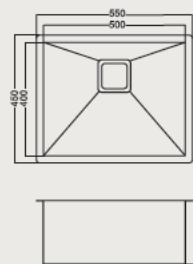


## Model: F4041R10

1.2mm SUS304 Stainless steel / satin polish  
Cutout dimensions: Template with actual product

Dimensions: 450X450  
Basin dimensions: 400X400





## Model: F5040

1.2mm SUS304 Stainless steel / satin polish

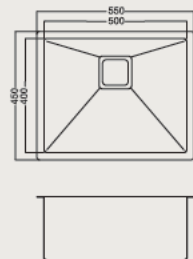
Cutout dimensions: Template with actual product

Dimensions:

550X450

Basin dimensions:

500X400



## Model: F5040R10

1.2mm SUS304 Stainless steel / satin polish

Cutout dimensions: Template with actual product

Dimensions:

550X450

Basin dimensions:

500X400

# Nature



With an unsurpassed and outstanding taste, apply art too the practical life, inside every perfectly round radian, the language human life affairs is throw out, making out bodies and hearts feel like staying with the nature, and smooth out.



# Elite

communicates a neat design with a simple and easy purity. It's able to kindle emotions thanks to its smooth surface and the regular geometric shapes.



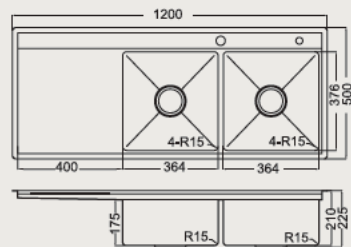




## Model: HMR12050

1.2mm SUS304 Stainless steel / satin polish  
 Cutout dimensions: Template with actual product

Dimensions: 1200X500  
 Basin dimensions: 364X376 364X376

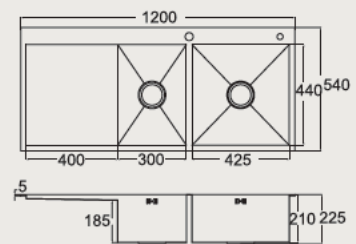




## Model: HM12054

1.2mm SUS304 Stainless steel / satin polish  
 Cutout dimensions: Template with actual product

Dimensions: 1200X540  
 Basin dimensions: 300X440 425X440





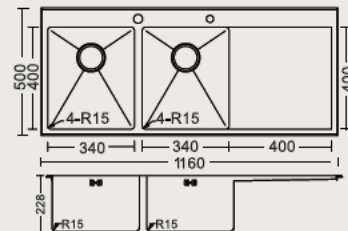
## Model: HMR11650

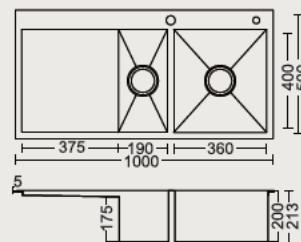


1.2mm SUS304 Stainless steel / satin polish  
 Cutout dimensions: Template with actual product

Dimensions:  
 Basin dimensions:

1160X500  
 340X400 340X400

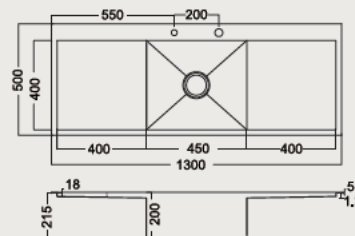




## Model: HM10050

1.2mm SUS304 Stainless steel / satin polish  
Cutout dimensions: Template with actual product

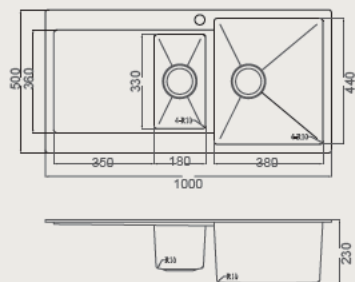
Dimensions: 1000X500  
Basin dimensions: 190X400 360X400



## Model: HM13050

1.2mm SUS304 Stainless steel / satin polish  
Cutout dimensions: Template with actual product

Dimensions: 1300X500  
Basin dimensions: 450X400



## Model: HMR10050

1.2mm SUS304 Stainless steel / satin polish  
Cutout dimensions: Template with actual product

Dimensions: 1000X500  
Basin dimensions: 180X330 380X440





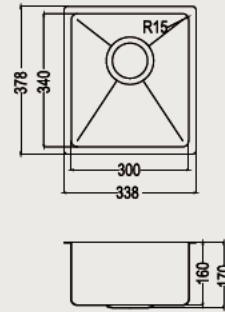
# From idea you design

from material to manufacturing, every product is essence of creation through continuous design to get the best and satisfactory version, every design is perfect - proofing artwork not only just for quality.





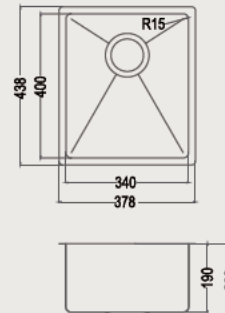




## Model: BS121307

1.2mm SUS304 Stainless steel / satin polish  
Cutout dimensions: Template with actual product

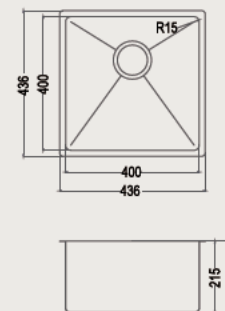
Dimensions: 338X378  
Basin dimensions: 300X340



## Model: BS131507

1.2mm SUS304 Stainless steel / satin polish  
Cutout dimensions: Template with actual product

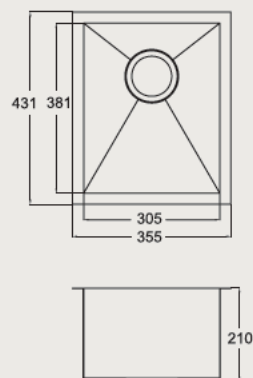
Dimensions: 378X438  
Basin dimensions: 340X400



## Model: BS161609

1.2mm SUS304 Stainless steel / satin polish  
Cutout dimensions: Template with actual product

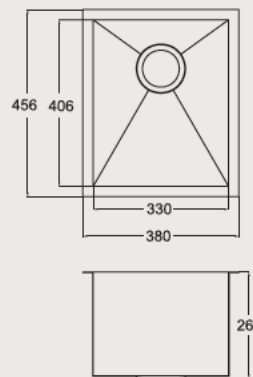
Dimensions: 436X436  
Basin dimensions: 400X400



**Model: BSQ121508**

1.2mm SUS304 Stainless steel / satin polish  
 Cutout dimensions: Template with actual product

Dimensions: 355X431  
 Basin dimensions: 305X381



**Model: BSQ131610**

1.2mm SUS304 Stainless steel / satin polish  
 Cutout dimensions: Template with actual product

Dimensions: 380X456  
 Basin dimensions: 330X406



**living art**

The design idea reads aoud of do not have the menta strategy, uxur ous pract ca sty e spec a features, s a modern techno gy and v ng art of perfect comb nat on.

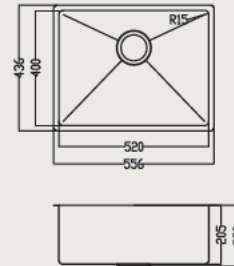


## Model: SRU201609

1.2mm SUS304 Stainless steel / satin polish  
Cutout dimensions: Template with actual product

Dimensions:  
Basin dimensions:

556X436  
520X400

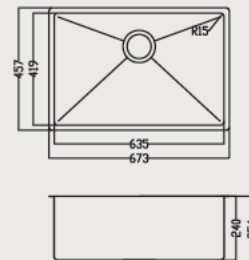


## Model: SRU251610

1.2mm SUS304 Stainless steel / satin polish  
Cutout dimensions: Template with actual product

Dimensions:  
Basin dimensions:

673X457  
635X419

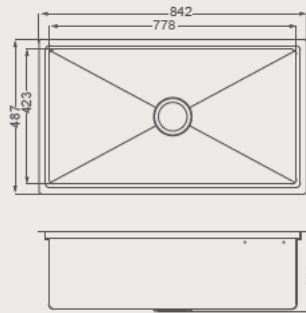




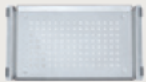
## Model: SRU311710

1.2mm SUS304 Stainless steel / satin polish  
 Cutout dimensions: Template with actual product

Dimensions: 842X487  
 Basin dimensions: 778X423



### Optional Accessories



COL710  
Drain Board



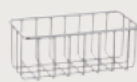
T710  
Small Sink



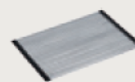
CB710  
Cutting Board



BK710  
Drain basket



2010  
Drain basket



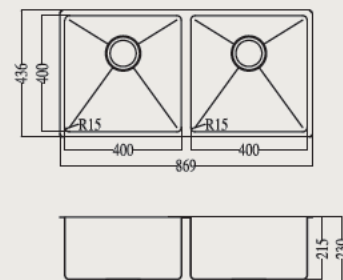
G4431  
Drain Mat



## Model: SRU331616

1.2mm SUS304 Stainless steel / satin polish  
Cutout dimensions: Template with actual product

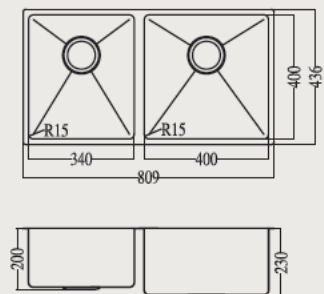
Dimensions: 869X436  
Basin dimensions: 400X400 400X400



## Model: SRU301616L

1.2mm SUS304 Stainless steel / satin polish  
Cutout dimensions: Template with actual product

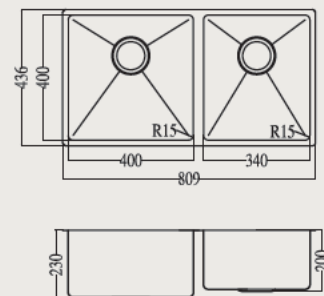
Dimensions: 809X436  
Basin dimensions: 340X400 400X400



## Model: SRU301616R

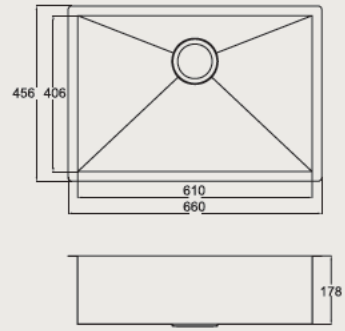
1.2mm SUS304 Stainless steel / satin polish  
Cutout dimensions: Template with actual product

Dimensions: 809X436  
Basin dimensions: 400X400 340X400





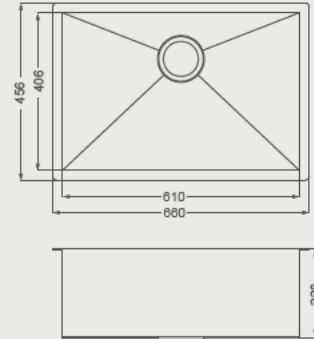




## Model: DSQ241607

1.2mm SUS304 Stainless steel / satin polish  
Cutout dimensions: Template with actual product

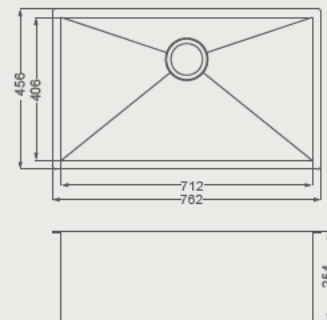
Dimensions: 660X456  
Basin dimensions: 610X406



## Model: DSQ241609

1.2mm SUS304 Stainless steel / satin polish  
Cutout dimensions: Template with actual product

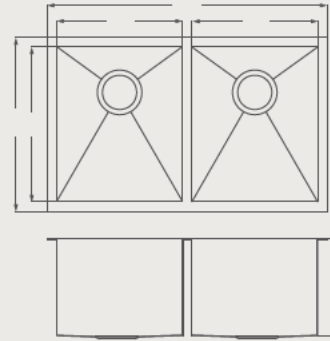
Dimensions: 660X456  
Basin dimensions: 610X406



## Model: DSQ2816

1.2mm SUS304 Stainless steel / satin polish  
Cutout dimensions: Template with actual product

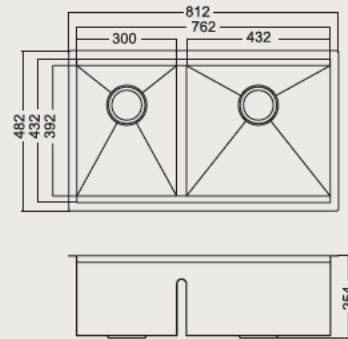
Dimensions: 762X456  
Basin dimensions: 712X406



**Model: DSQ271616**

1.2mm SUS304 Stainless steel / satin polish  
Cutout dimensions: Template with actual product

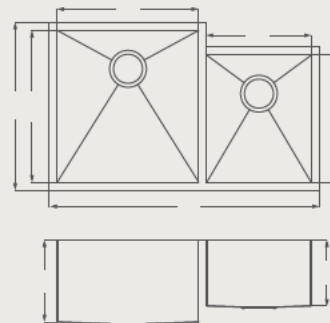
Dimensions: 735X456  
Basin dimensions: 330X406 330X406



**Model: DSQ301515**

1.2mm SUS304 Stainless steel / satin polish  
Cutout dimensions: Template with actual product

Dimensions: 812X482  
Basin dimensions: 300X392 432X392



**Model: DSQ311815**

1.2mm SUS304 Stainless steel / satin polish  
Cutout dimensions: Template with actual product

Dimensions: 836X520  
Basin dimensions: 438X470 323X393

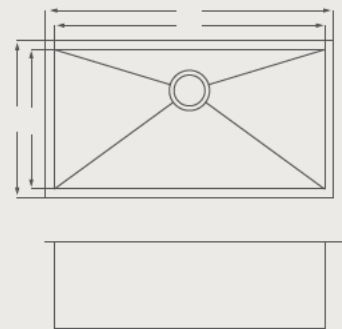




## Model: DSQ3116

1.2mm SUS304 Stainless steel / satin polish  
Cutout dimensions: Template with actual product

Dimensions: 837X456  
Basin dimensions: 787X406



## Domestic Style Sinks



**Quality  
material for  
international  
markets.**

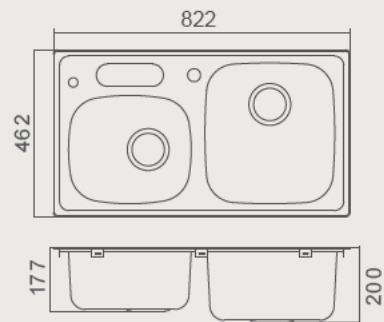




## Model: CK229

1.2mm SUS304 Stainless steel / satin polish  
 Cutout dimensions: Template with actual product

Dimensions: 822X462  
 Basin dimensions: 340X300 360X390



### Optional Accessories



8308-B

Soap dispenser



CB-322

Cutting board



SF-3034

Drain Colander



Stainless steel round  
 knife shelf

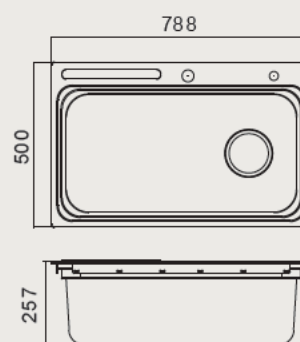




## Model: CK233

1.2mm SUS304 Stainless steel / satin polish  
Cutout dimensions: Template with actual product

Dimensions: 788X500  
Basin dimensions: 700X360



### Optional Accessories



8308-B

Soap dispenser



B-05

Full length moveable  
drain tray



CB-4028B

Cutting board



SS-04

Sliding sink



Stainless steel square  
knife shelf





## European Style Sinks

# Inspiration

Refreshes everyday life,  
For those who know how to enjoy and taste the difference can realize.



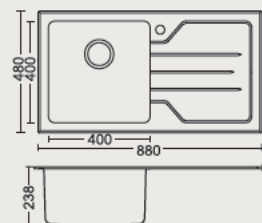


**Model: GTB8848R** tempered glass sink



1.2mm SUS304 Stainless steel / satin polish  
Cutout dimensions: Template with actual product

Dimensions: 880X480  
Basin dimensions: 400X400



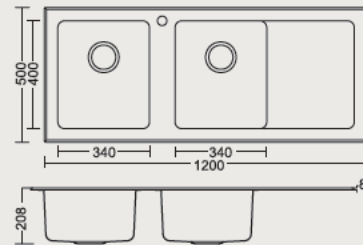


**Model: GTB12050R**    tempered glass sink



1.2mm SUS304 Stainless steel / satin polish  
 Cutout dimensions: Template with actual product

Dimensions: 1200X500  
 Basin dimensions: 340X400 340X400



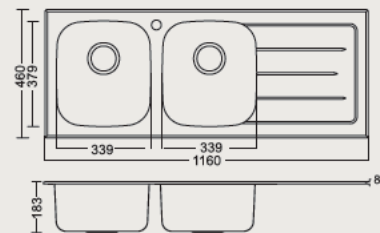


**Model: GTW11646R** tempered glass sink



1.2mm SUS304 Stainless steel / satin polish  
Cutout dimensions: Template with actual product

Dimensions: 1160X460  
Basin dimensions: 339X379 339X379

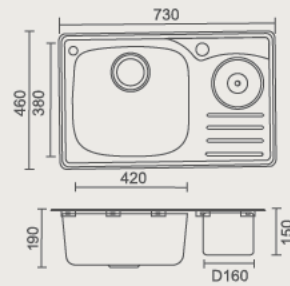




**Model: CH331** 带保洁桶单槽  
Single bowl with built-in waste bin

1.2mm SUS304 Stainless steel / satin polish  
Cutout dimensions: Template with actual product

Dimensions: 730X460  
Basin dimensions: D160 420X380



可选配件 Optional Accessories



SF-3842

Drain colander





## Model: CH380

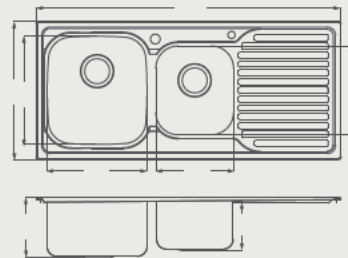
1.2mm SUS304 Stainless steel / satin polish  
Cutout dimensions: Template with actual product

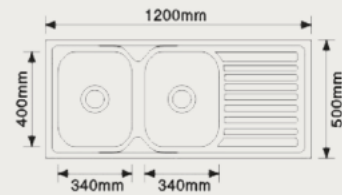
Dimensions:

1100X500

Basin dimensions:

360X390 280X320





## Model:KX-1200500

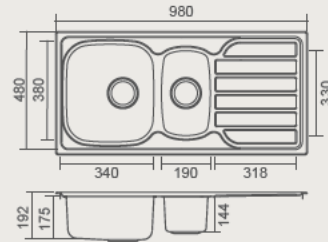
Double bowls with build-in drainboard



0.6 - 0.8 mm SUS304 Stainless steel / satin  
polish Cutout dimensions: Template with actual product

Dimensions:

1200X500

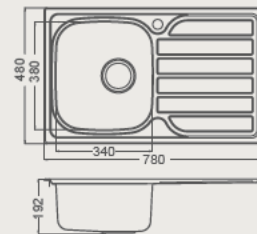


## Model:KX-CH386

Double bowls with build-in drainboard

0.6 - 0.8 mm SUS304 Stainless steel / satin  
polish Cutout dimensions: Template with actual product

980X480  
340X380 190X330

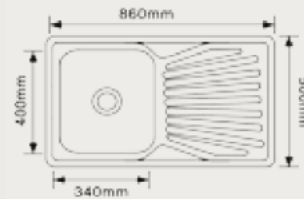


## Model:KX-CH390

Single bowl with build-in drain board

0.6 - 0.8 mm SUS304 Stainless steel / satin  
polish Cutout dimensions: Template with actual product

780X480  
340X380



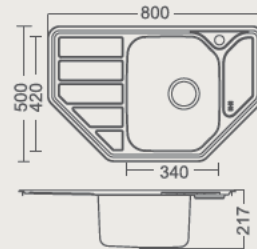
### Model:KX-860500

Single bowl with build-in drain board



0.6 - 0.8 mm SUS304 Stainless steel / satin  
polish Cutout dimensions: Template with actual product

900X470

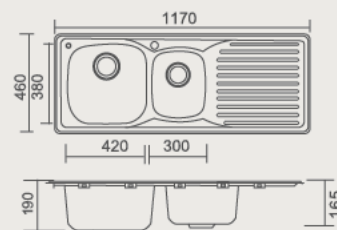


### Model:KX-CH392

Single bowl with build-in drain board

0.6 - 0.8 mm SUS304 Stainless steel / satin  
polish Cutout dimensions: Template with actual product

800X500  
340X420



### Model:KX-DH836

Linen finish double bowls with drainboard

0.6 - 0.8 mm SUS304 Stainless steel / satin  
polish Cutout dimensions: Template with actual product

1170X460  
420X380 300X340





## American Style Sinks

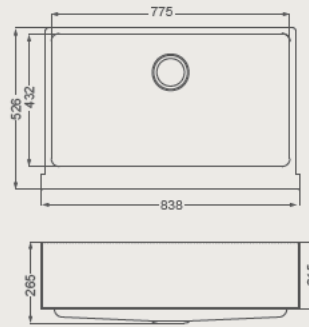




## Model: DAF3320

1.5mm SUS304 Stainless steel / satin polish  
 Cutout dimensions: Template with actual product

Dimensions: 838X526  
 Basin dimensions: 775X432



### 可选配件 Optional Accessories



G031

Stainless bottom grid



CB017

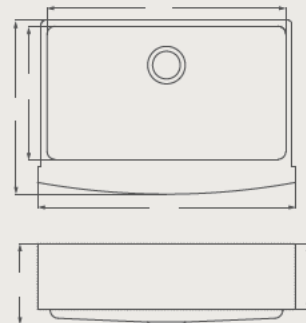
Cutting Board



## Model: DAF3320C

1.5mm SUS304 Stainless steel / satin polish  
Cutout dimensions: emplate with actual product

Dimensions: 838X564  
Basin dimensions: 775X432

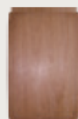


### 可选配件 Optional Accessories



G031

Stainless bottom grid



CB017

Cutting Board

# Custom Accessoires



# Rhythm of space

is originated from the design inspiration; everlasting beauty flows in the plain lines and common life is pregnant with the lofty ideas.







# Custom Accessoires



Straener



**LS-02**

Matched drain size:  $\phi$ 90mm  
Matched pipe size:  $\phi$ 38.1mm (1.5")



**LS-03**

$\phi$ 110mm  
 $\phi$ 38.1mm (1.5")



**LS-04**

$\phi$ 90mm  
 $\phi$ 38.1mm (1.5")



**LS-08**

$\phi$ 110mm  
 $\phi$ 50.8mm (2")



**LS-09**

Matched drain size:  $\phi$ 90mm  
Matched pipe size:  $\phi$ 50.8mm (2")



**LS-22**

90x90mm  
 $\phi$ 38.1mm (1.5")



**LS-25** NEW

$\phi$ 110mm  
 $\phi$ 50.8mm (2")



**LS-26** NEW

$\phi$ 90mm  
 $\phi$ 50.8mm (2")

Soap dispenser



**8308-A**

Material: Copper



**8308-B**

Copper



**8308-D**

Plastic



**8308-E**

塑料  
Plastic



**8308-H** NEW

不锈钢  
Stainless steel



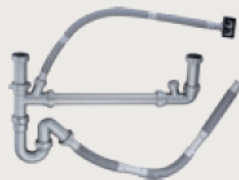
**8308-I** NEW

铜  
Copper



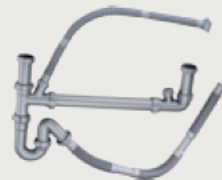
**V08-B1-A**

Matched strainer size:  $\phi$ 38.1mm (1.5")



**V08-B2-A**

$\phi$ 38.1mm (1.5")



**V08-B2-B**

$\phi$ 38.1mm (1.5")



**V08-B3-A**

$\phi$ 38.1mm (1.5")



**V09-B1-A**

$\phi$ 50.8mm (2")



**V09-B1-B**

Matched strainer size:  $\phi$ 50.8mm (2")



**V09-B2-A**

$\phi$ 50.8mm (2")



**V09-B2-B**

$\phi$ 50.8mm (2")



**V13-B2-A** NEW

$\phi$ 38.1mm (1.5")



**TK111A**

Automatic drainage

**ELITE**

HANGZHOU ELITE SANITARY WARE CO.,LTD  
3rd Floor, Building 1, No.75 Beisha East road,  
Hangzhou Yuhang Economic and Technological Development Zone,  
Yuhang District, Hangzhou, CHINA  
Tel: 0571-86102023, 86102026  
E-Mail: caticwl@126.com